

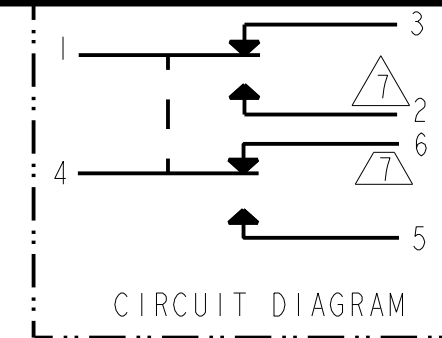
MICROSWITCH
a Honeywell Division

FED. MFG. CODE 91929

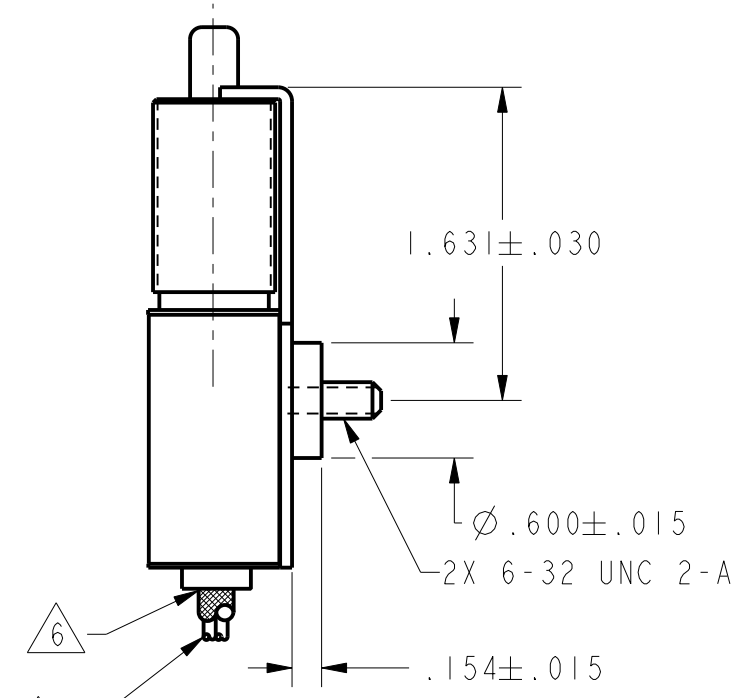
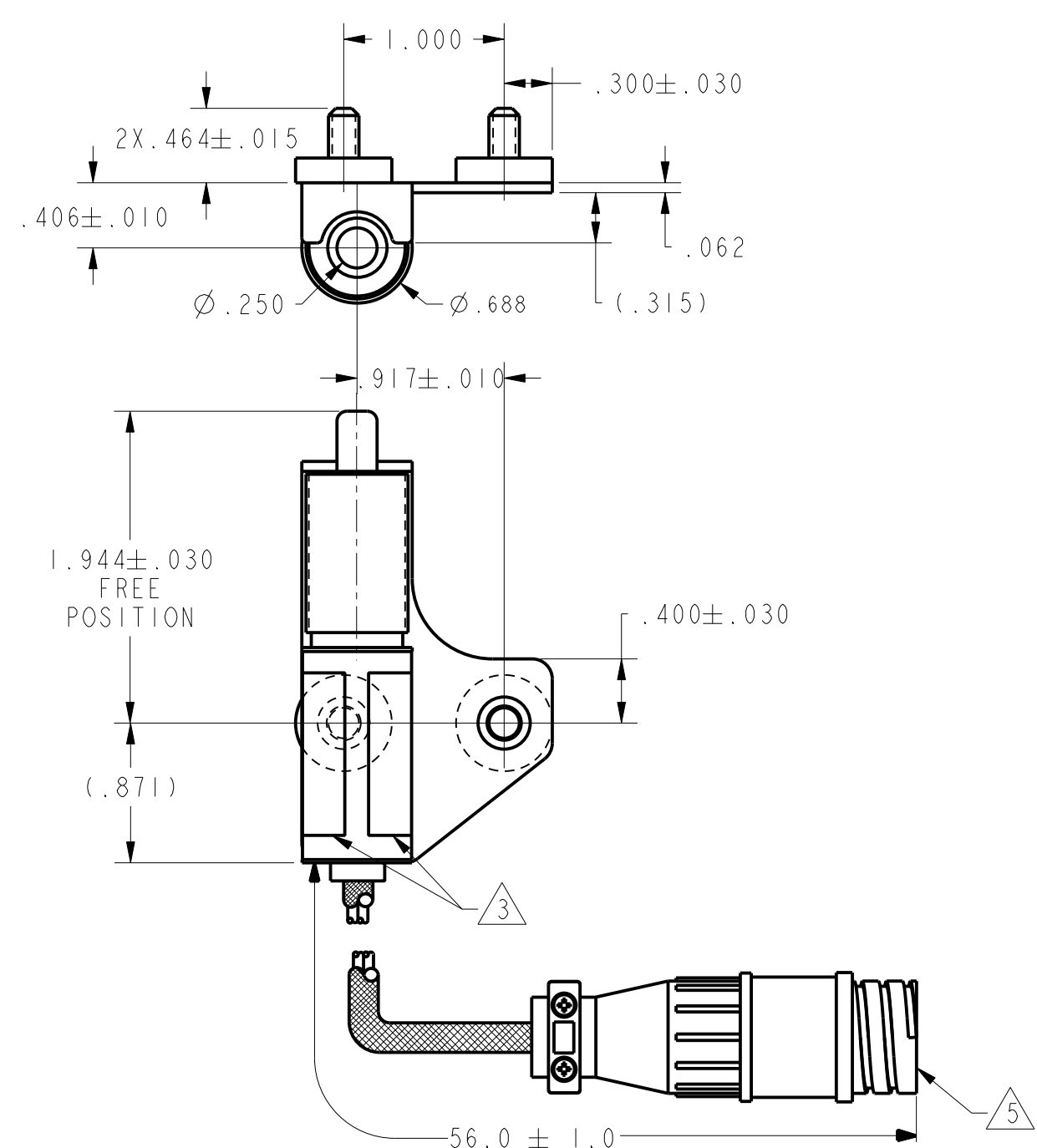
SWITCH - ENCLOSED

CATALOG LISTING

402CH5-R



CONNECTOR PIN OUT	
PIN NO.	DIAGRAM NO.
1 (G33D20)	1 (COM)
2 (G15F20)	2 (NC)
3 (G17C20)	4 (COM)
4 (G6C20)	5 (NO)
NO CONNECTION	2 (7)
NO CONNECTION	6 (7)



- NOTES
- 1 - CORROSION RESISTANT STEEL : EXTERNAL METALS
 - 2 - SWITCH SEALED PER MIL-PRF-8805, SYMBOL 3
 - 3 - CIRCUIT DIAGRAM, CATALOG LISTING, DATE CODE, FED. MFG. CODE, AND CUSTOMER SCD # 002-384003-5 ARE SHOWN ON NAMEPLATES
 - 4 - 6X #20 AWG WIRE LEAD PER MIL-W-22759/7 MARKED WITH CIRCUIT IDENTIFICATION AND WIRE GAGE (1-20, 2-20, ETC) PER MIL-W-5088
 - 5 - CONNECTOR AMP 206153-1, CLAMP AMP 206062-1, OR EQUIVALENT PIN AMP 66103-2 (QTY.4)
 - 6 - PROTECTIVE OVERSLEEVING PER BENTLEY HARRIS TYPE H MATERIAL
 - 7 - ONE END OF LEAD IS CONNECTED TO SWITCH TERMINAL, OPPOSITE END IS COVERED WITH HEAT SHRINK AND CLAMPED IN BACKSHELL, UNCONNECTED

CATALOG LISTING
 402CH5-R
 PAGE 1 OF 1
 RELEASE NO. 202696
 16 JAN 06
 CHECK
 R J
 ISSUE 3
 REVISIONS
 A 0011357 KR 02MAR05
 B 0018411 DVM 16JAN06
 CHECK
 AK
 CHECK
 28MAR01
 SAV
 CHECK
 28MAR01
 LJK
 DRAWN
 PTC/CAD 3D

THIS DRAWING COVERS A PROPRIETARY ITEM AND IS THE PROPERTY OF MICRO SWITCH, A DIVISION OF HONEYWELL. THIS DRAWING IS NOT TO BE COPIED OR USED WITHOUT THE APPROVAL OF MICRO SWITCH

CHARACTERISTICS	ELECTRICAL DATA
OPERATING FORCE — — — 3-6 LBS	CONTACT ARRANGEMENT 2X S.P.S.T.
FULL OVERTRAVEL FORCE— — — 17 LBS MAX	
RELEASE FORCE — — — 2 LBS MIN	LOAD
PRETRAVEL — — — .040 MAX	SEA LEVEL
DIFFERENTIAL TRAVEL — — — .020 MAX	50,000 FT
OVERTRAVEL — — — .250 MIN	RES
	IND
	MOTOR

THIRD ANGLE PROJECTION

SCALE 1 : 1

DO NOT SCALE PRINT

UNLESS OTHERWISE SPECIFIED TOLERANCES ARE

ONE PLACE	(.0)	±.030
TWO PLACE	(.00)	±.015
THREE PLACE	(.000)	±.005

ANGLES ±

WEIGHT

ANSI Y14.5M-1982 APPLIES