

# HONEYWELL

## 402CH3-R

*See full Datasheet below...*

**onlinecomponents.com**

THE ONLINE DISTRIBUTOR OF ELECTRONIC COMPONENTS

**BUY NOW**



**MASTER**<sup>TM</sup>  
ELECTRONICS

**BUY NOW**

masterelectronics.com & onlinecomponents.com  
are **authorized** e-commerce distributors  
of electronic components.

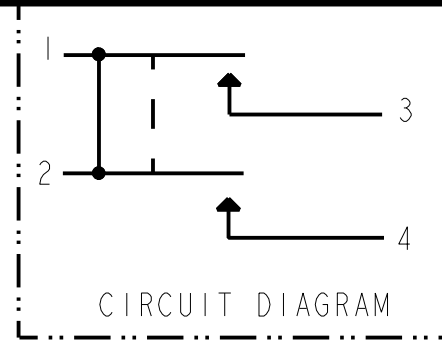
MICROSWITCH  
a Honeywell Division

SWITCH - ENCLOSED

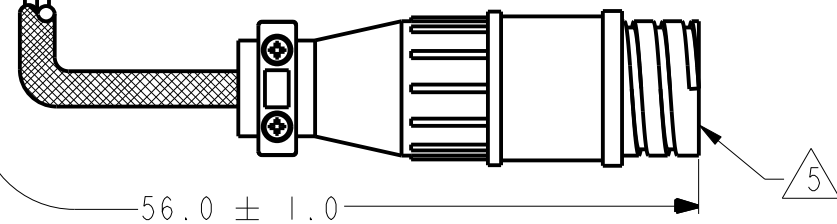
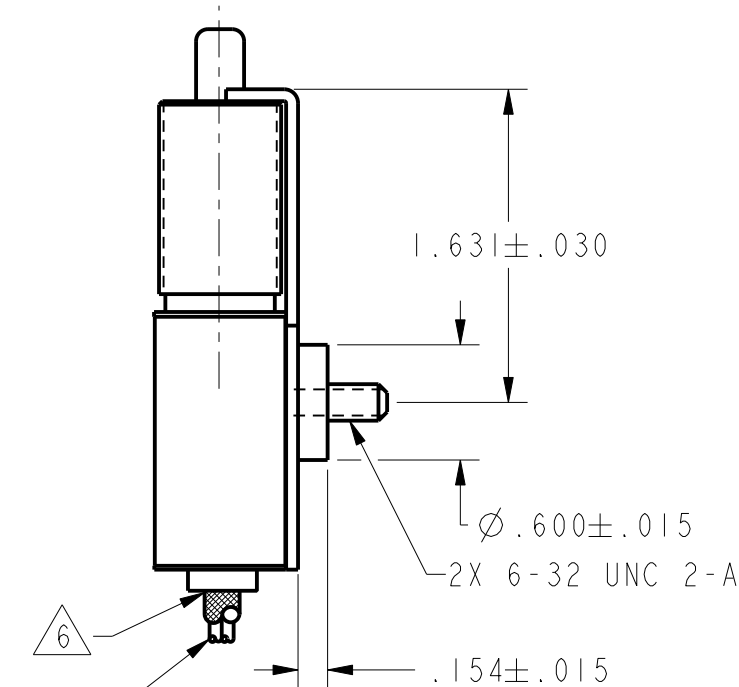
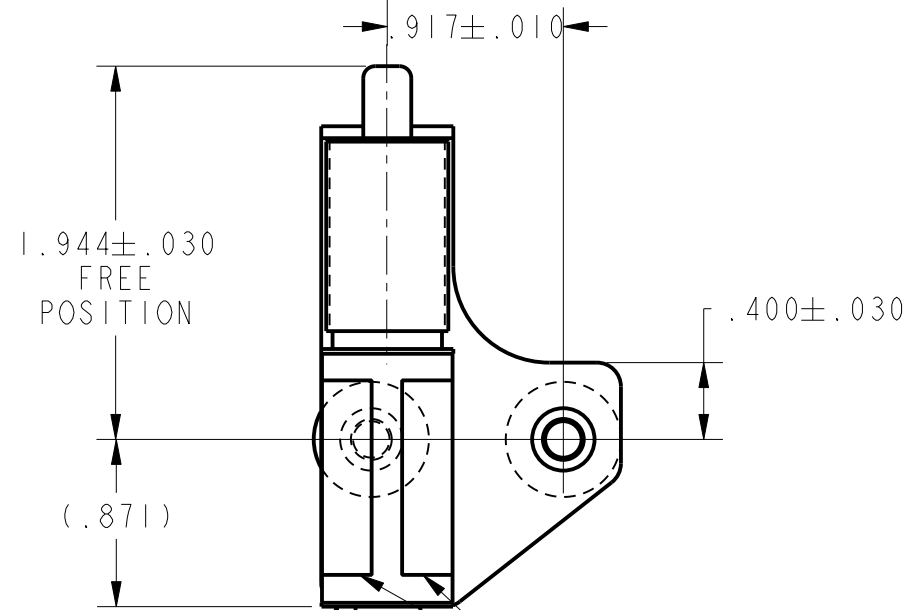
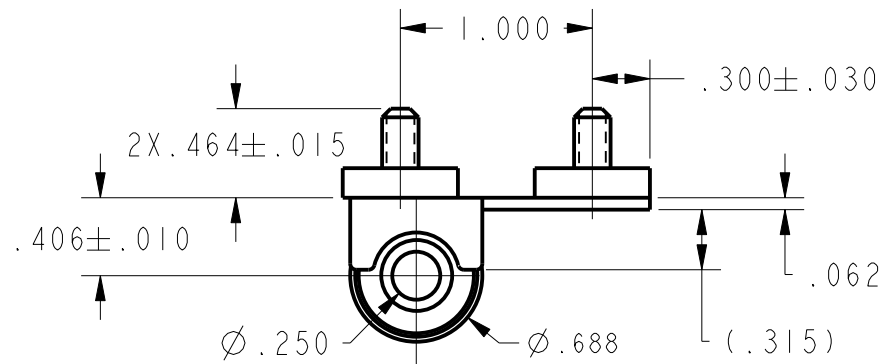
CATALOG LISTING

402CH3-R

FED. MFG. CODE 91929



CONNECTOR PIN OUT	
PIN NO.	DIAGRAM NO.
1 (G33D20)	1 (COM)
2 (G15F20)	2 (COM)
3 (G17C20)	3 (NO)
4 (G6C20)	4 (NO)



NOTES

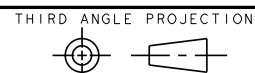
- 1 - CORROSION RESISTANT STEEL : EXTERNAL METALS
- 2 - SWITCH SEALED PER MIL-S-8805, SYMBOL 3
- 3 - CIRCUIT DIAGRAM, CATALOG LISTING, DATE CODE, FED. MFG. CODE, AND CUSTOMER SCD # 002-384003-1 ARE SHOWN ON NAMEPLATES
- 4 - 4X #20 AWG WIRE LEAD PER MIL-W-22759/7 MARKED WITH CIRCUIT IDENTIFICATION AND WIRE GAGE (1-20, 2-20, ETC) PER MIL-W-5088
- 5 - CONNECTOR AMP 206153-1, CLAMP AMP 206062-1, OR EQUIVALENT PIN AMP 66103-2 (QTY.4)
- 6 - PROTECTIVE OVERSLEEVING PER BENTLEY HARRIS TYPE H MATERIAL

CATALOG LISTING  
**402CH3-R**  
 PAGE 1 OF 1  
 ISSUE 5  
 16 JAN 06  
 RELEASE NO. PR-24313  
 REPLACES

REVISIONS	
A	PR-24313 LJK 40CT99
B	200851 LJK 7AUG00
C	0011357 KR 02MAR05
D	0018411 DVM 16 JAN 06

CHECK 10 SEP 99  
 CHECK JAF  
 CHECK 10 SEP 99  
 DRAWN LJK  
 PTC/CAD 3D

THIS DRAWING COVERS A PROPRIETARY ITEM AND IS THE PROPERTY OF MICRO SWITCH, A DIVISION OF HONEYWELL. THIS DRAWING IS NOT TO BE COPIED OR USED WITHOUT THE APPROVAL OF MICRO SWITCH



CHARACTERISTICS	
OPERATING FORCE —	3-6 LBS
FULL OVERTRAVEL FORCE —	17 LBS MAX
RELEASE FORCE —	2 LBS MIN
PRETRAVEL —	.040 MAX
DIFFERENTIAL TRAVEL —	.020 MAX
OVERTRAVEL —	.250 MIN

ELECTRICAL DATA		
CONTACT ARRANGEMENT 2X S.P.N.O.		
LOAD	28 VDC	
	SEA LEVEL	50,000 FT
RES	7	7
IND	4	2.5
MOTOR	4	

SCALE	
1	1
DO NOT SCALE PRINT	
UNLESS OTHERWISE SPECIFIED TOLERANCES ARE	
ONE PLACE	(.0) ± .030
TWO PLACE	(.00) ± .015
THREE PLACE	(.000) ± .005
ANGLES	±
WEIGHT	

ANSI Y14.5M-1982 APPLIES