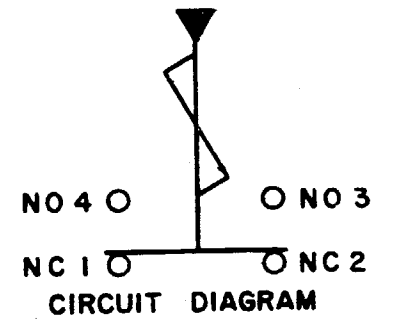
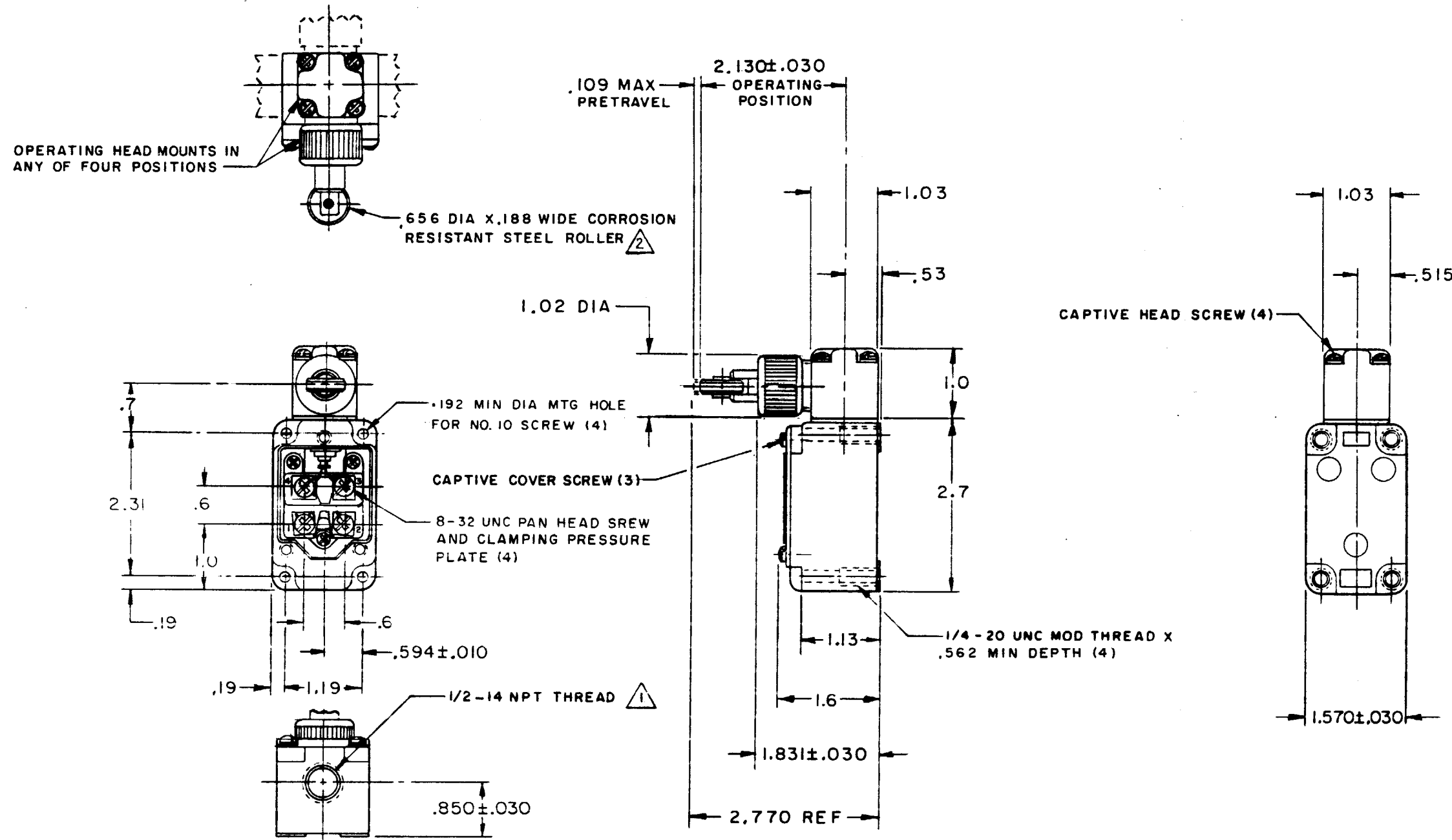


M



ISSUE 14 DRAWING NUMBER M 3LS1
 REVISIONS
 A CO15200 M B F 21 JUNE 65
 B CO22566 M B F 20 MAR 67
 C CO23403 M B S 24 SEP 68
 D CO25152 M B S 2 APR 69
 E CO26198 M B S 5 NOV 69
 F CO26824 M B S 6 JAN 70
 G CO50952-G WJM 24 JUN 83
 H CO53005-D CJH AUG 84
 J CO65814-E G R T 20 NOV 90
 K CO77031 J D B 22 DEC 93
 FO-80378-003 DRAWN M B F 21 JUNE 65
 CHECK UCS 22 JUN 65
 REPLACES
 RELEASE NO.



THIS DRAWING COVERS A PROPRIETARY ITEM AND IS THE PROPERTY OF MICRO SWITCH, A DIVISION OF MINNEAPOLIS-HONEYWELL REGULATOR CO. THIS DRAWING IS NOT TO BE COPIED OR USED WITHOUT THE APPROVAL OF MICRO SWITCH.

CHARACTERISTICS	ELECTRICAL DATA	SCALE 1/2 TO 1
OPERATING FORCE — — — 9 LB MAX	CONTACT ARRANGEMENT (SEE CIRCUIT DIAGRAM)	DO NOT SCALE PRINT
RELEASE FORCE — — — 2 LB MIN	10A-120, 240, OR 480 VAC, 1/3 HP - 120 VAC 3/4 HP - 240 VAC; 0.8A - 115 VDC; 0.4A - 230 VDC .1A - 550 VDC PILOT DUTY: 600 VAC MAX	UNLESS OTHERWISE NOTED DIMENSIONS ARE IN INCHES TOLERANCES ARE: ONE PLACE (.0) \pm .030 TWO PLACE (.00) \pm .015 THREE PLACE (.000) \pm .005 ANGLES \pm
DIFFERENTIAL TRAVEL — — — .040 MAX		WEIGHT
OVERTRAVEL — — — .219 MIN		
SWITCH-BASIC REPLACEMENT — — — 2MNII		

NOTE -

$\triangle 1$ SEAL TO BE FURNISHED BY USER

$\triangle 2$ ROLLER LEVER MAY BE LOCKED IN ANY POSITION THRU 360°