

301LS2

M

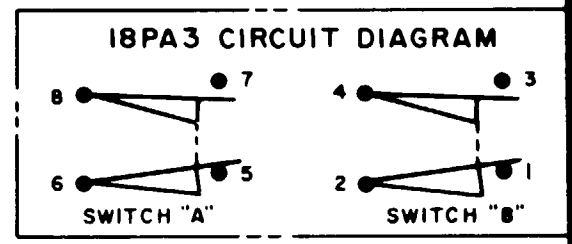
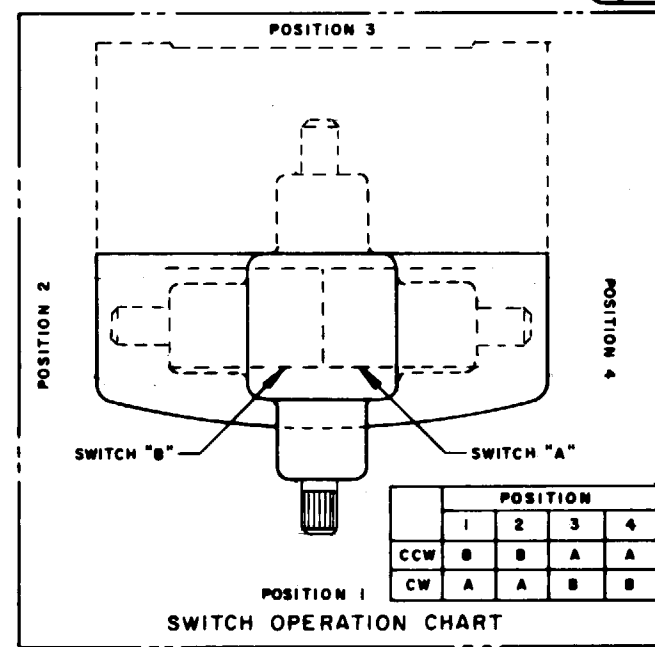
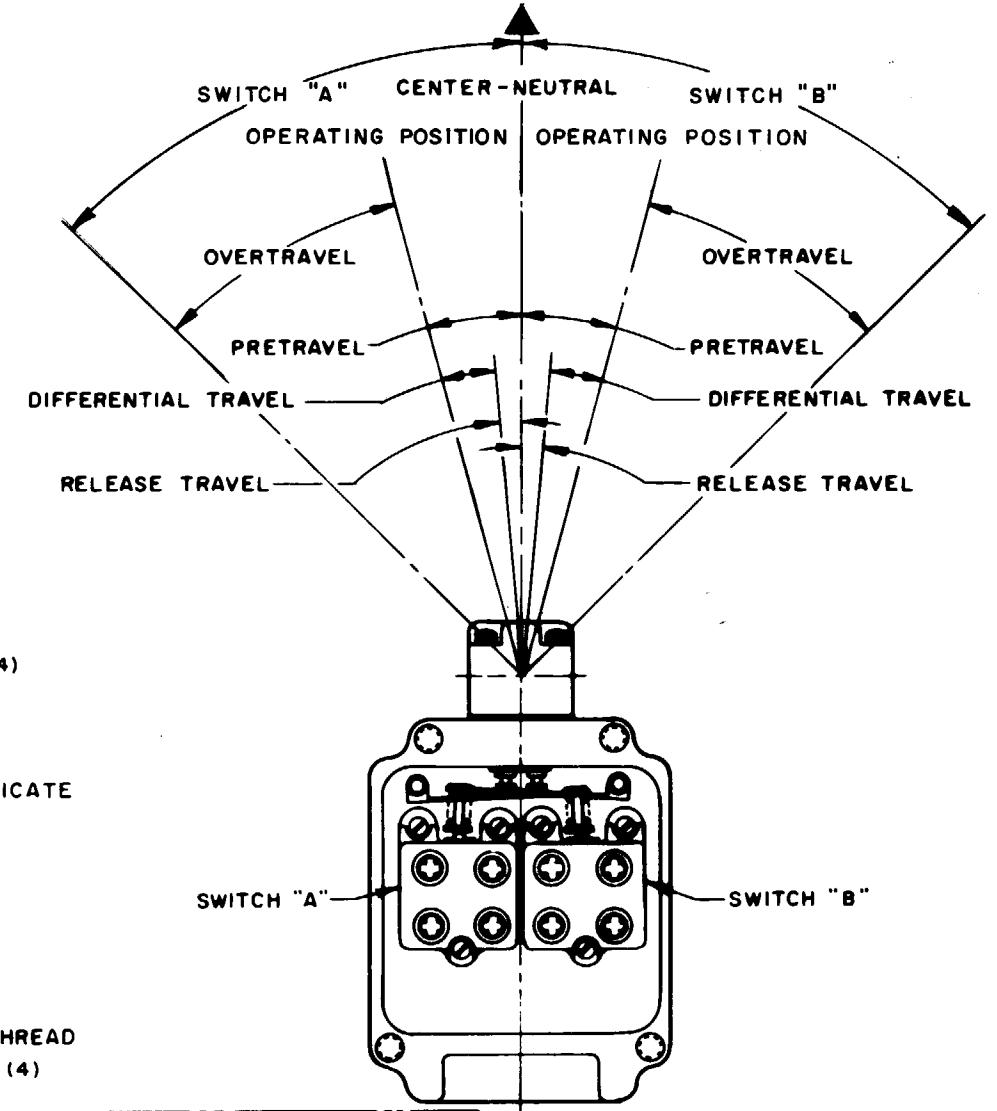
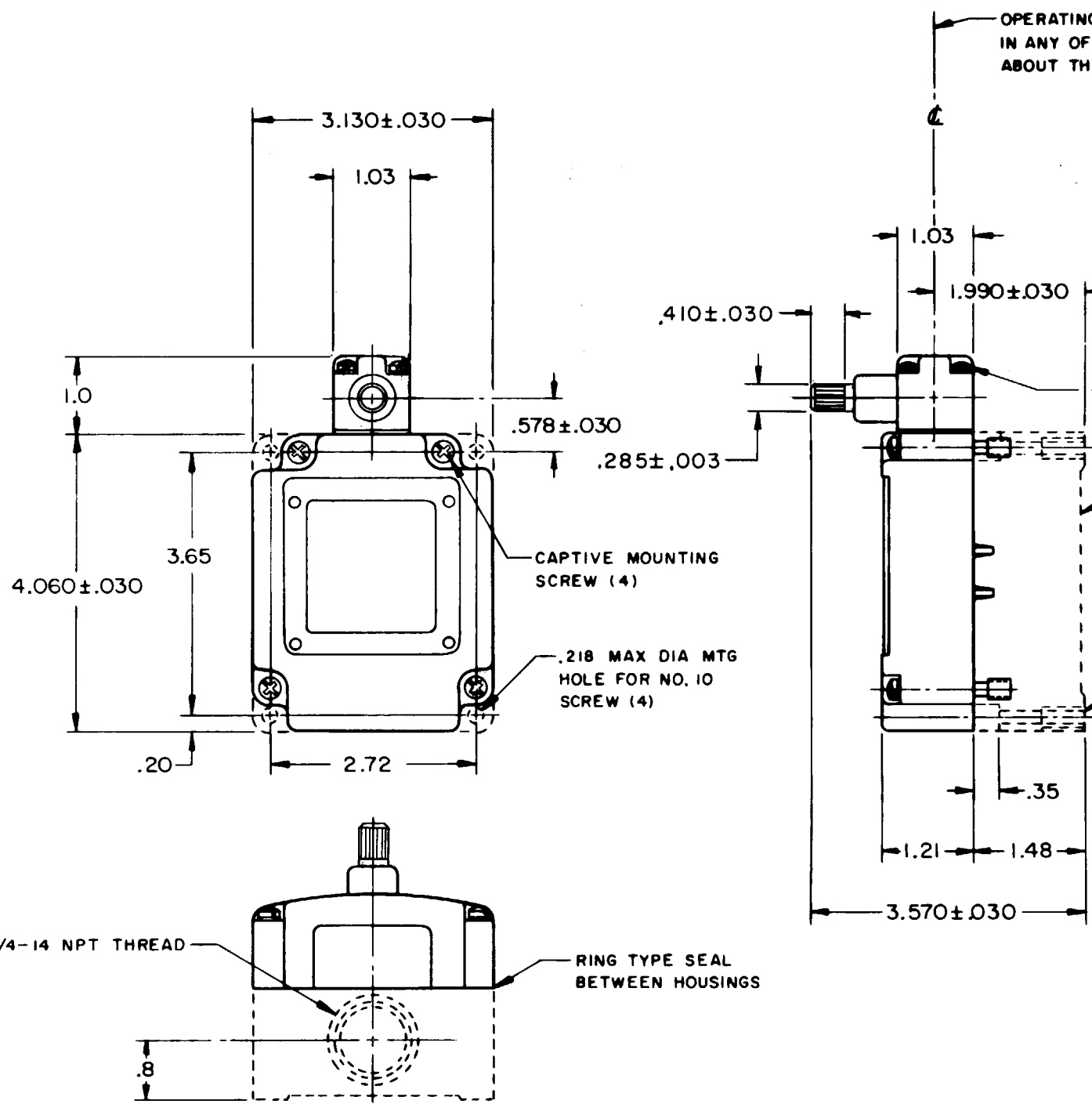
DRAWING NUMBER

ISSUE
 8

REVISIONS

A	CO15200	M B F	22 JUNE 65
B	CO25152	R E R	22 APR 69
C	CO-77031	J D B	22 DEC 93

REPLACES: 301LS1, 301LS3, 301LS4, 301LS5, 301LS6, 301LS7, 301LS8, 301LS9, 301LS10, 301LS11, 301LS12, 301LS13, 301LS14, 301LS15, 301LS16, 301LS17, 301LS18, 301LS19, 301LS20, 301LS21, 301LS22, 301LS23, 301LS24, 301LS25, 301LS26, 301LS27, 301LS28, 301LS29, 301LS30, 301LS31, 301LS32, 301LS33, 301LS34, 301LS35, 301LS36, 301LS37, 301LS38, 301LS39, 301LS40, 301LS41, 301LS42, 301LS43, 301LS44, 301LS45, 301LS46, 301LS47, 301LS48, 301LS49, 301LS50, 301LS51, 301LS52, 301LS53, 301LS54, 301LS55, 301LS56, 301LS57, 301LS58, 301LS59, 301LS60, 301LS61, 301LS62, 301LS63, 301LS64, 301LS65, 301LS66, 301LS67, 301LS68, 301LS69, 301LS70, 301LS71, 301LS72, 301LS73, 301LS74, 301LS75, 301LS76, 301LS77, 301LS78, 301LS79, 301LS80, 301LS81, 301LS82, 301LS83, 301LS84, 301LS85, 301LS86, 301LS87, 301LS88, 301LS89, 301LS90, 301LS91, 301LS92, 301LS93, 301LS94, 301LS95, 301LS96, 301LS97, 301LS98, 301LS99, 301LS100.



THIS DRAWING COVERS A PROPRIETARY ITEM AND IS THE PROPERTY OF MICRO SWITCH, A DIVISION OF MINNEAPOLIS-HONEYWELL REGULATOR CO. THIS DRAWING IS NOT TO BE COPIED OR USED WITHOUT THE APPROVAL OF MICRO SWITCH.

CHARACTERISTICS	ELECTRICAL DATA	SCALE 1/2 TO 1
OPERATING TORQUE - 4 1/2 IN LB MAX	CONTACT ARRANGEMENT (SEE CIRCUIT DIAGRAM)	DO NOT SCALE PRINT
FULL OVERTRAVEL TORQUE - 6 IN LB MAX	10A-120, 240, OR 480 VAC, 1/3 HP - 120 VAC 3/4 HP - 240 VAC; 0.8 A - 115 VDC; 0.4 A - 230 VDC .1A - 550 VDC PILOT DUTY: 600 VAC MAX	UNLESS OTHERWISE NOTED
RELEASE TORQUE - 3/4 IN LB MIN		DIMENSIONS ARE IN INCHES
PRETRAVEL - 15° MAX		TOLERANCES ARE:
DIFFERENTIAL TRAVEL - 10° MAX		ONE PLACE (.0) ±.030
OVERTRAVEL - 30° MIN		TWO PLACE (.00) ±.015
RELEASE TRAVEL - 5° MIN	THREE PLACE (.000) ±.005	
SWITCH-BASIC REPLACEMENT - 2MN6 (2)		ANGLES ±
		WEIGHT

NOTE -
 1 - SHAFT WILL OPERATE ONE SWITCH ONLY IN EITHER DIRECTION FROM NEUTRAL
 2 - THIS LISTING IS INTENDED FOR USE WITH 18PA3 TERMINAL BLOCK ENCLOSURE

DRAWN: M B F
 22 JUNE 65
 CHECK: LSD
 22 JUNE 65
 CHECK: JSD
 22 JUNE 65