

MICRO SWITCH

FREERPORT, ILLINOIS, U.S.A.
A DIVISION OF HONEYWELL
FED. MFG. CODE 91929

SWITCH-TOGGLE

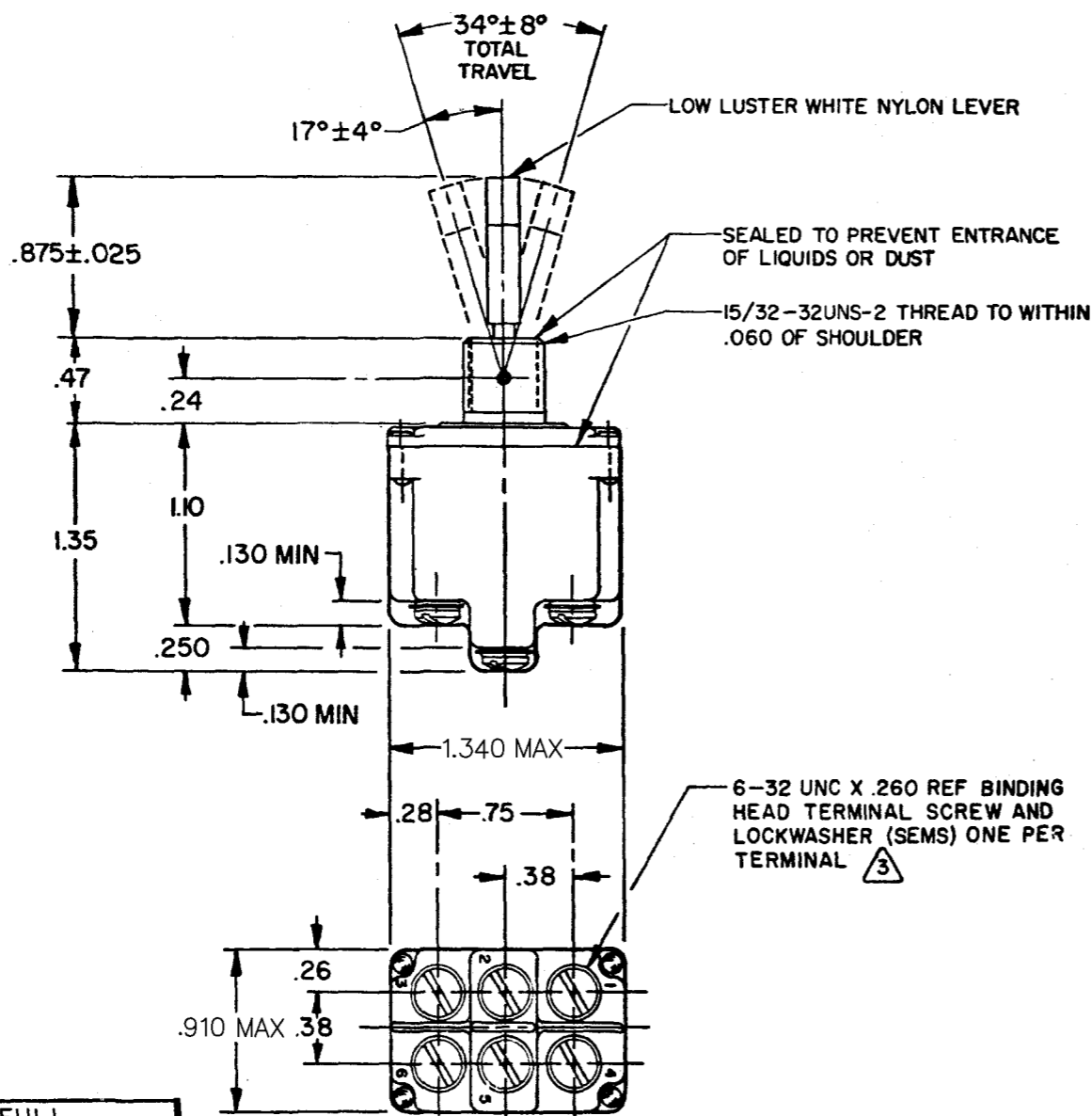
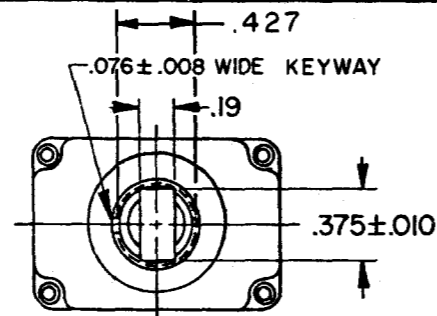
CATALOG LISTING
2TL51 SERIES

CHART 1

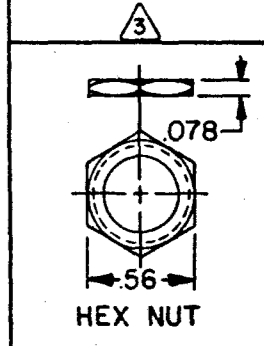
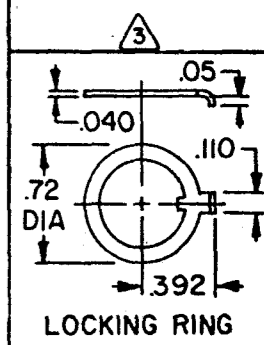
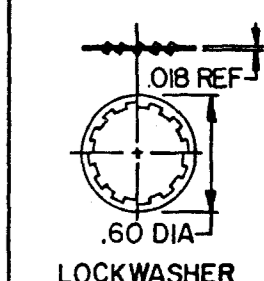
CATALOG LISTING

CIRCUIT MADE WITH TOGGLE LEVER IN	KEYWAY SIDE (1-2)	CENTER (1-2)	OPPOSITE KEYWAY (2-3)	MILITARY RATING (AMPS)										
				RESISTIVE LOAD DC VOLTS		AC VOLTS		LAMP LOAD		INDUCTIVE LOAD				
				28	125	250	125	250	28 VDC	125 VAC	28	125	28 VDC	125 VAC

THIS DRAWING COVERS A PROPRIETARY ITEM AND IS THE PROPERTY OF MICRO SWITCH, A DIVISION OF HONEYWELL. THIS DRAWING IS NOT TO BE COPIED OR USED WITHOUT THE APPROVAL OF MICRO SWITCH.



CATALOG LISTING	KEYWAY SIDE (1-2)	CENTER (1-2)	OPPOSITE KEYWAY (2-3)	28	125	250	125	250	28 VDC	125 VAC	28 VDC	125 VAC
2TL51-1	ON	OFF	ON									
2TL51-2	OFF	NONE	ON									
2TL51-3	ON	NONE	ON	20	.75	.5	15	6	7	4	15	15
2TL51-21	NONE	OFF	ON	(REFER TO L191 FOR UL RATING)								
2TL51-31	NONE	ON	ON	(REFER TO L191 FOR UL RATING)								
2TL51-4	MOM OFF	NONE	ON									
2TL51-5	MOM ON	OFF	ON									
2TL51-6	MOM ON	NONE	OFF									
2TL51-7	MOM ON	OFF	MOM ON	18	.75	.5	11	6	5	2	10	8
2TL51-8	MOM ON	NONE	ON	(REFER TO L192 FOR UL RATING)								
2TL51-51	NONE	ON	MOM ON	(REFER TO L192 FOR UL RATING)								
2TL51-61	MOM ON	OFF	NONE	(REFER TO L192 FOR UL RATING)								



NOTES

- SWITCHES ARE CAPABLE OF WITHSTANDING A TEMPERATURE OF 160°F CONTINUOUSLY AT FULL RATED LOAD
- CIRCUIT DESIGNATION AND MICRO SWITCH CATALOG LISTING MARKED ON SIDE OF SWITCH
- FURNISHED UNASSEMBLED
- FOR TERMINAL COVER SEE MICRO SWITCH CATALOG LISTING 5PA8
- APPLIES ONLY TO "ON" AND "MOM ON" POSITIONS

SCALE FULL
DO NOT SCALE PRINT
UNLESS OTHERWISE NOTED
DIMENSIONS ARE IN INCHES
TOLERANCES ARE:
ONE PLACE (.0)
TWO PLACE (.00)
THREE PLACE (.000)
ANGLES
WEIGHT .20LBS MAX

15A-125,250 OR 277VAC
1/2HP-125VAC; 1HP-250, 277VAC
5A-125VAC "L" CODE L191

10A-125,250 OR 277VAC
1/4HP-125VAC; 1/2HP-250, 277VAC
3A-125VAC "L" CODE L192

CATALOG LISTING 2TL51 SERIES CHART 1 PAGE 1 OF 1
 RELEASE NO. CO-78497 REPLACES
 ISSUE 4
 REVISIONS:
 A CO 78047 SAD 22 AUG 94
 B CO94438 GJW 23 NOV 99
 C 0003037 TSG 06 FEB 04
 CHECK MDM 06 FEB 04
 CHECK KAG 7 JUL 94
 CHECK TSM 9 JUN 94
 DRAWN FORMTEK