

MICRO SWITCH

FREERPORT, ILLINOIS, U.S.A.
A DIVISION OF HONEYWELL
FED. MFG. CODE 91929

SWITCH-TOGGLE

CATALOG LISTING
2TL1-70 SERIES
CHART 1

MILITARY STANDARD NUMBER

CATALOG LISTING

AVAILABLE LOCKING COMBINATIONS FOR CONFIGURATION SEE LETTERED DETAILS

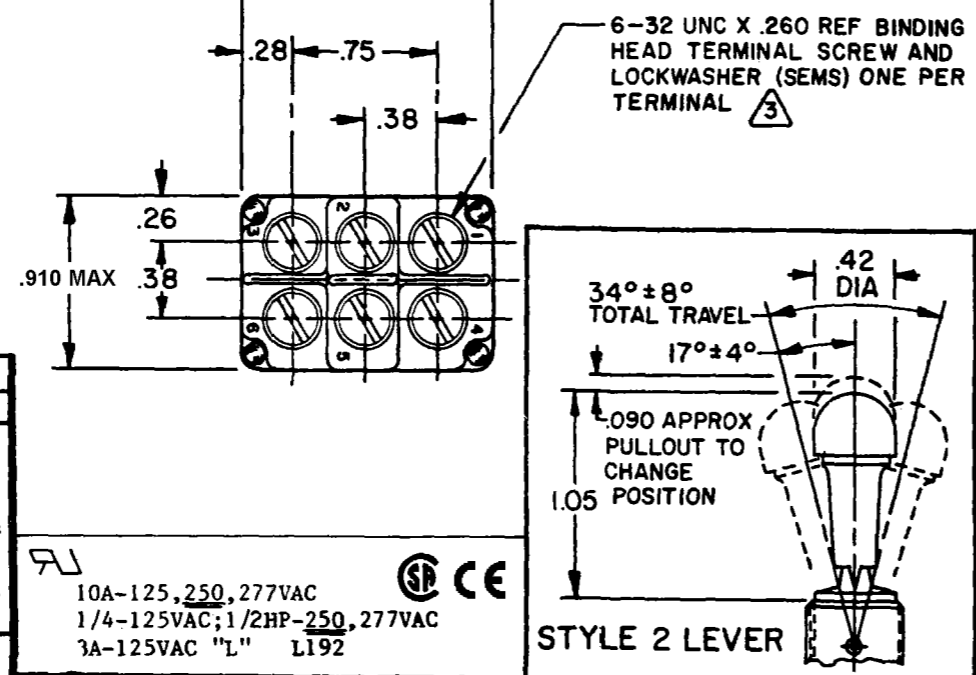
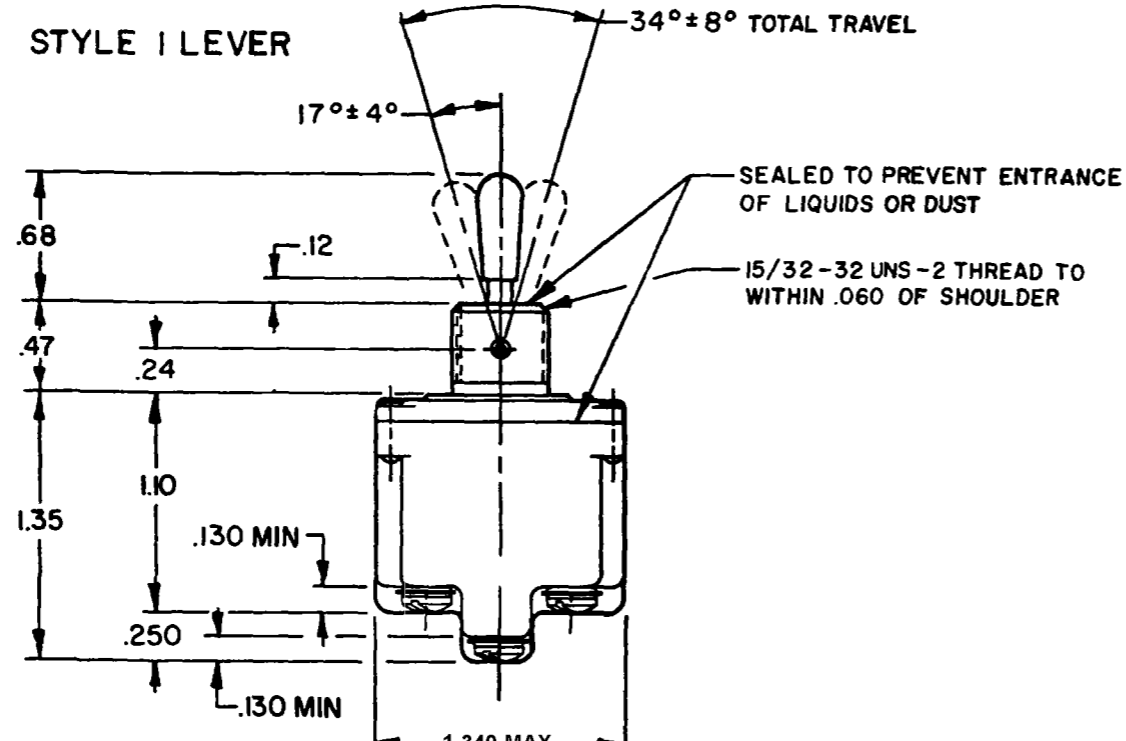
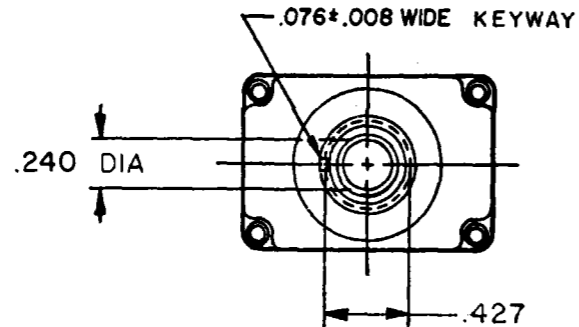
STYLE NUMBER

MILITARY RATING (AMPS)

RESISTIVE LOAD					LAMP LOAD		INDUCTIVE LOAD	
DC VOLTS	AC VOLTS	28 VDC	125 VAC	250 VDC	28 VDC	25 VAC	28 VDC	125 VAC
28	125	.5	11	6	5	2	10	8

THIS DRAWING COVERS A PROPRIETARY ITEM AND IS THE PROPERTY OF MICRO SWITCH. A DIVISION OF HONEYWELL. THIS DRAWING IS NOT TO BE COPIED OR USED WITHOUT THE APPROVAL OF MICRO SWITCH.

27407-6	2TL1-70	NONE	1							
27408-6/6	2TL1-70/6	E, L, N	2							
"A" LOCKED IN THREE POSITIONS	"B" LOCKED IN CENTER AND EXTREME POSITION (KEYWAY SIDE)	"D" LOCKED OUT OF CENTER POSITION	"E" LOCKED IN CENTER POSITION	"F" LOCKED IN EXTREME POSITION (OPPOSITE KEYWAY)						
"G" LOCKED IN EXTREME POSITION (KEYWAY SIDE)	"H" LOCKED OUT OF CENTER AND EXTREME POSITION (KEYWAY SIDE)	"J" LOCKED OUT OF CENTER AND EXTREME POSITION (OPPOSITE KEYWAY)	"K" LOCKED IN CENTER AND EXTREME POSITION (OPPOSITE KEYWAY)	"L" LOCKED OUT OF EXTREME POSITION (KEYWAY SIDE)						
"M" LOCKED OUT OF AND INTO EXTREME POSITION (OPPOSITE KEYWAY)	"N" LOCKED OUT OF EXTREME POSITION (OPPOSITE KEYWAY)	"P" LOCKED OUT OF AND INTO EXTREME POSITION (KEYWAY SIDE)								
CIRCUIT MADE WITH TOGGLE LEVER IN										
KEYWAY SIDE			CENTER			OPPOSITE KEYWAY				
MOMENTARY POSITION			MAINTAINED POSITION			MOMENTARY POSITION				



- NOTES**
- SWITCHES ARE CAPABLE OF WITHSTANDING A TEMPERATURE OF 160°F CONTINUOUSLY AT FULL RATED LOAD
 - CIRCUIT DESIGNATION, MICRO SWITCH CATALOG LISTING AND MS NUMBER MARKED ON SIDE OF SWITCH
 - FURNISHED UNASSEMBLED
 - FOR TERMINAL COVER SEE MICRO SWITCH CAT. LIST. 5PA8
 - KEYWAY SHOWN ON LEFT SIDE
 - SUFFIX LETTER MUST BE ADDED FOR DESIRED TYPE OF TOGGLE LOCKING. SEE CHART FOR AVAILABLE LOCKING COMBINATIONS
 - THESE SWITCHES ARE QUALIFIED UNDER MIL-S-3950

SCALE FULL
DO NOT SCALE PRINT
UNLESS OTHERWISE NOTED
DIMENSIONS ARE IN INCHES
TOLERANCES ARE:
ONE PLACE (.0) ±.030
TWO PLACE (.00) ±.018
THREE PLACE (.000) ±.008
ANGLES ±.008
WEIGHT .15 LB APPROX

10A-125, 250, 277VAC
1/4-125VAC; 1/2HP-250, 277VAC
3A-125VAC "L" L192

CATALOG LISTING
M 2TL1-70 SERIES CHART 1
 PAGE 1 OF 1
 ISSUE 4
 REVISIONS
 A 178047 20 AUG 94
 B 94432 23 NOV 99
 C 0003011 05 FEB 04
 CHECK 06 FEB 04
 CHECK 23 JUN 04
 CHECK 10 JUN 94
 FORMTEK
 DRAWN
 KDR
 RELEASE NO. CO-78465 REPLACES 2TL1-70 SERIES