

**MICRO SWITCH**

FREEPORT, ILLINOIS, U.S.A.  
A DIVISION OF HONEYWELL  
FED. MFG. CODE 91929

**SWITCH-TOGGLE**

CATALOG LISTING  
**2TL1-10 SERIES**  
CHART 1

MILITARY STANDARD NUMBER

CATALOG LISTING

AVAILABLE LOCKING COMBINATIONS FOR CONFIGURATION SEE LETTERED DETAILS

STYLE NUMBER

MILITARY RATING (AMPS)

RESISTIVE LOAD					LAMP LOAD		INDUCTIVE LOAD	
DC VOLTS	AC VOLTS	AC VOLTS	AC VOLTS	AC VOLTS	28 VDC	125 VAC	28 VDC	125 VAC
28	125	250	125	250	7	4	15	15

THIS DRAWING COVERS A PROPRIETARY ITEM AND IS THE PROPERTY OF MICRO SWITCH. A DIVISION OF HONEYWELL. THIS DRAWING IS NOT TO BE COPIED OR USED WITHOUT THE APPROVAL OF MICRO SWITCH.

27407-4	2TL1-10	NONE	1	20	.75	.5	15	6	7	4	15	15
27408-4	2TL1-10	A,B,D,E,F,G,H,J,K,L,M,N,P	2									

CATALOG LISTING  
**2TL1-10 SERIES CHART 1**  
PAGE 1 OF 1

RELEASE NO. CO-78465 REPLACES 2TL1-10 SERIES

ISSUE **M**  
4

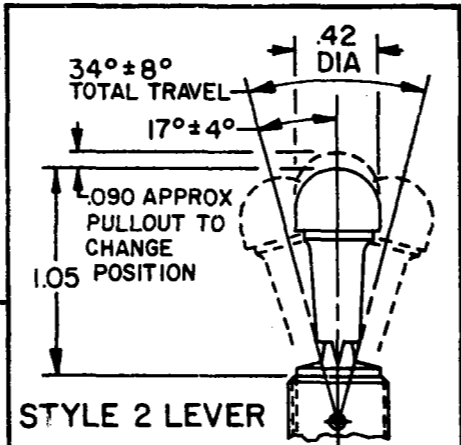
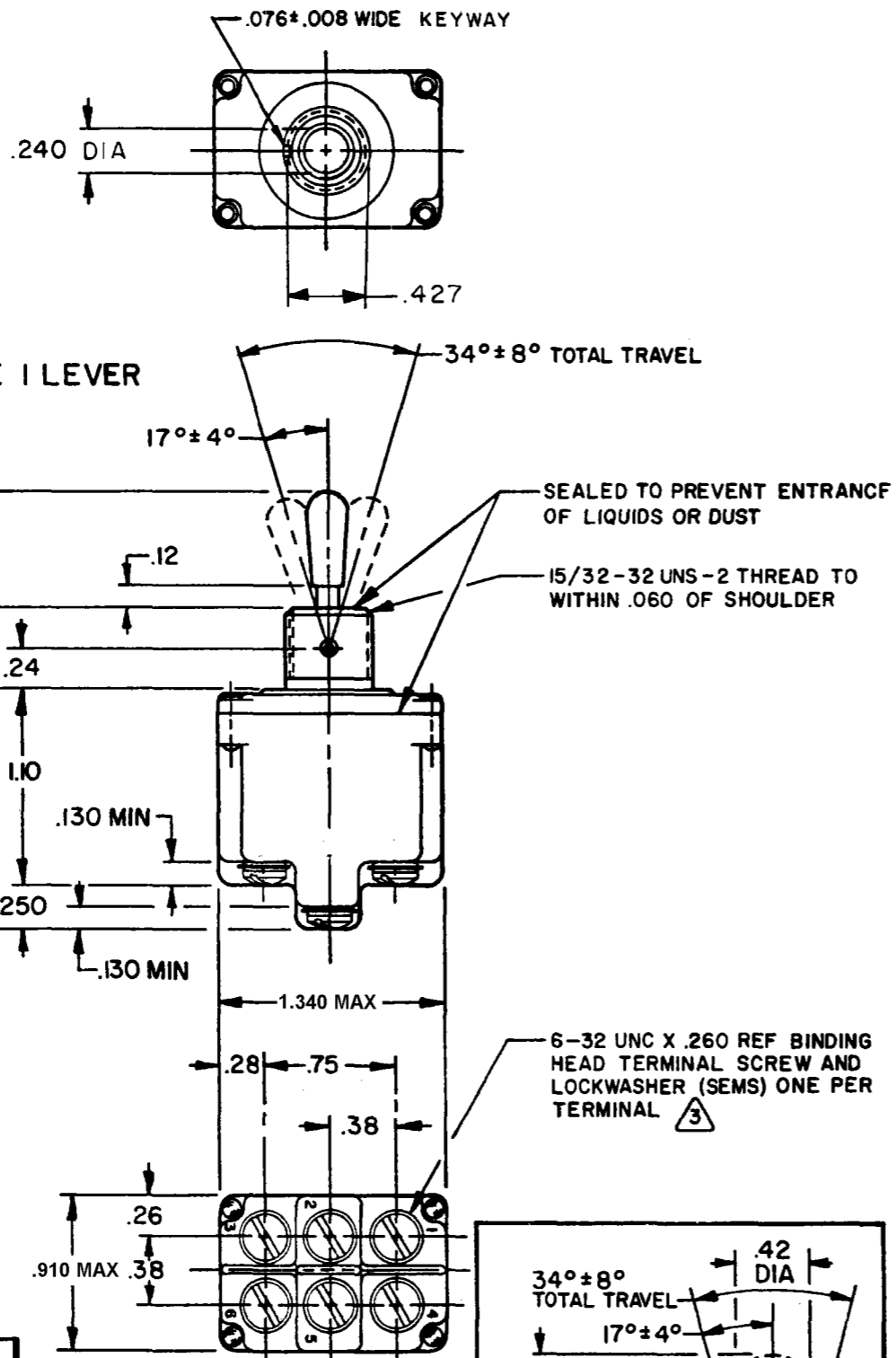
REVISIONS  
A CO 28047 20 AUG 94  
B CO 94432 23 NOV 99  
C 0003011 05 FEB 04

CHECK 06 FEB 04  
MDM

CHECK 23 JUN 94  
KAG

CHECK 10 JUN 94  
KDR

SCALE FULL  
DO NOT SCALE PRINT  
UNLESS OTHERWISE NOTED  
DIMENSIONS ARE IN INCHES  
**TOLERANCES ARE:**  
ONE PLACE (.0) ±.030  
TWO PLACE (.00) ±.015  
THREE PLACE (.000) ±.005  
ANGLES ±.005  
WEIGHT .15 LB APPROX



"A"	"B"	"D"	"E"	"F"	LOCKWASHER
LOCKED IN THREE POSITIONS	LOCKED IN CENTER AND EXTREME POSITION (KEYWAY SIDE)	LOCKED OUT OF CENTER POSITION	LOCKED IN CENTER POSITION	LOCKED IN EXTREME POSITION (OPPOSITE KEYWAY)	.018 REF .60 DIA
"G"	"H"	"J"	"K"	"L"	LOCKING RING
LOCKED IN EXTREME POSITION (KEYWAY SIDE)	LOCKED OUT OF CENTER AND EXTREME POSITION (KEYWAY SIDE)	LOCKED OUT OF CENTER AND EXTREME POSITION (OPPOSITE KEYWAY)	LOCKED IN CENTER AND EXTREME POSITION (OPPOSITE KEYWAY)	LOCKED OUT OF EXTREME POSITION (KEYWAY SIDE)	.05 .040 .110 .72 DIA .392
"M"	"N"	"P"	CIRCUIT MADE WITH TOGGLE LEVER IN		
LOCKED OUT OF AND INTO EXTREME POSITION (OPPOSITE KEYWAY)	LOCKED OUT OF EXTREME POSITION (OPPOSITE KEYWAY)	LOCKED OUT OF AND INTO EXTREME POSITION (KEYWAY SIDE)	KEYWAY SIDE	CENTER	OPPOSITE KEYWAY
			MAINTAINED POSITION	MAINTAINED POSITION	MAINTAINED POSITION

**NOTES**

- SWITCHES ARE CAPABLE OF WITHSTANDING A TEMPERATURE OF 160°F CONTINUOUSLY AT FULL RATED LOAD
- CIRCUIT DESIGNATION, MICRO SWITCH CATALOG LISTING AND MS NUMBER MARKED ON SIDE OF SWITCH
- FURNISHED UNASSEMBLED
- FOR TERMINAL COVER SEE MICRO SWITCH CAT. LIST. 5PA8
- KEYWAY SHOWN ON LEFT SIDE
- SUFFIX LETTER MUST BE ADDED FOR DESIRED TYPE OF TOGGLE LOCKING. SEE CHART FOR AVAILABLE LOCKING COMBINATIONS
- THESE SWITCHES ARE QUALIFIED UNDER MIL-S-3950