

# MICRO SWITCH

FREEPORT ILLINOIS, U.S.A  
A DIVISION OF HONEYWELL

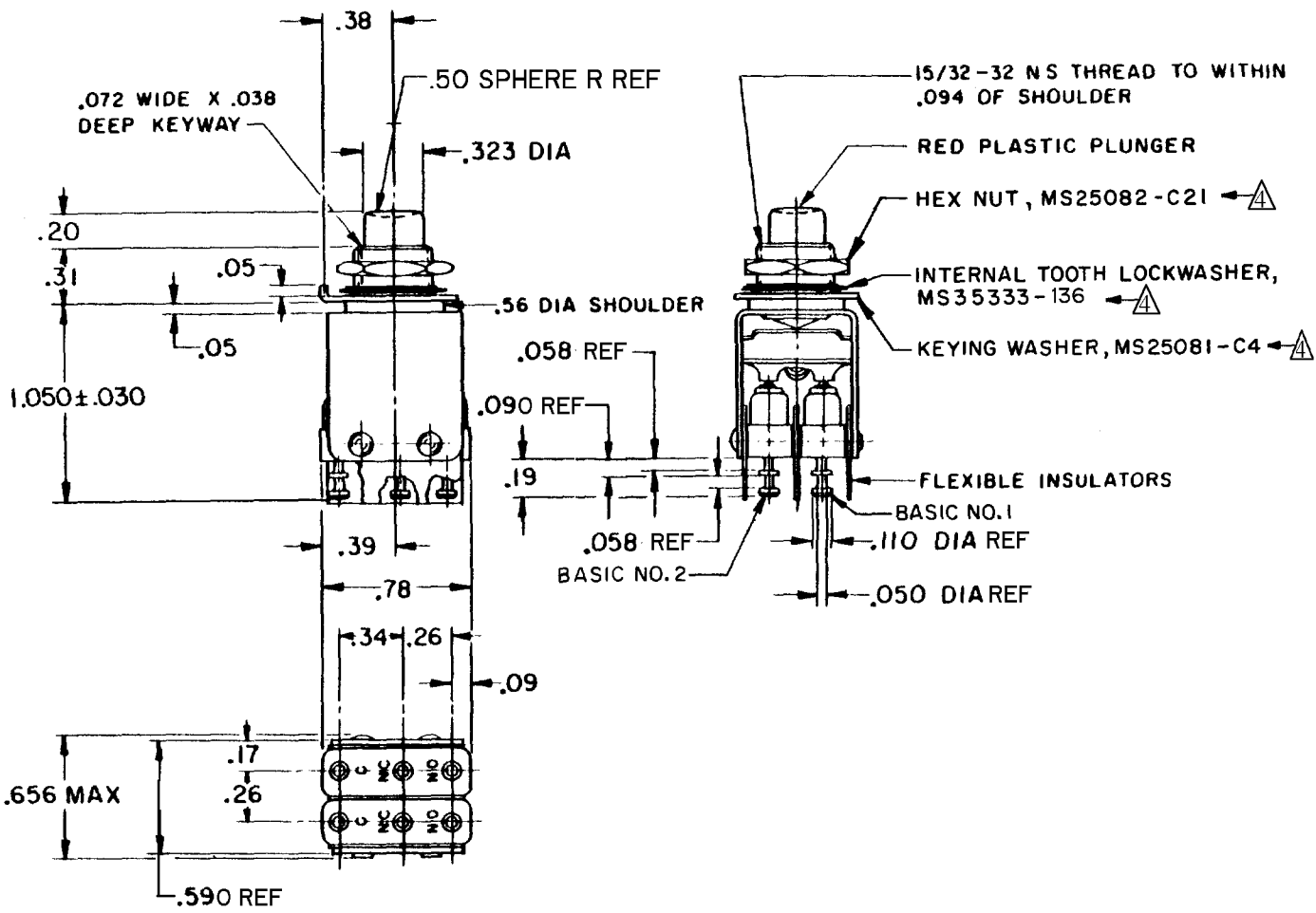
FED. MFG. CODE 91929

# ASSEMBLY- PUSHBUTTON SWITCH

CATALOG LISTING  
**2PB717-T2**

MILITARY P/N  
M8805/23-002

**FORMTEK**  
 FO-90378-1A  
 DRAWN  
 M B F 4 OCT 67  
 CHECK  
 K CO18511  
 SV  
 23 FEB 66  
 G J W  
 15 APR 99  
 CO-  
 94273  
 U  
 P P F  
 26 OCT 98  
 CO-  
 93593  
 H  
 27 SEP 93  
 T S M  
 PR20821  
 RE-INST  
 29 APR 93  
 L J F  
 CO74434  
 OBS DWG  
 28 NOV 73  
 R E R  
 CO32757  
 E  
 10 AUG 70  
 M B S  
 J A F  
 19 JUN 70  
 O M W  
 CO27719  
 D  
 1 SEPT 69  
 S R H  
 CO26314  
 B  
 26 JUNE 69  
 S R H  
 PR-785  
 A  
 REVISIONS  
 ISSUE II  
 DRAWING NUMBER  
**M**  
 2PB717-T2  
 PAGE 1 OF 1  
 RELEASE NO. PR-785  
 REPLACES



### NOTES

- 1 - UNIT INCLUDES MS25085-2 TYPE BASIC SWITCH (2)
  - 2 - TERMINALS ARE PLATED FOR SOLDERING
  - 3 - SWITCHES DO NOT NECESSARILY OPERATE SIMULTANEOUSLY
- ▲ - MOUNTING HARDWARE FURNISHED UNASSEMBLED

THIS DRAWING COVERS A PROPRIETARY ITEM AND IS THE PROPERTY OF MICRO SWITCH, A DIVISION OF HONEYWELL. THIS DRAWING IS NOT TO BE COPIED OR USED WITHOUT THE APPROVAL OF MICRO SWITCH.

CHARACTERISTICS		ELECTRICAL DATA			SCALE FULL
OPERATING FORCE	4.5 LB MAX	CONTACT ARRANGEMENT S P D T (2)			DO NOT SCALE PRINT
TOTAL TRAVEL	.100 APPROX	SEA LEVEL			UNLESS OTHERWISE NOTED DIMENSIONS ARE IN INCHES <b>TOLERANCES ARE:</b> ONE PLACE (.0) ±.030 TWO PLACE (.00) ±.015 THREE PLACE (.000) ±.005 ANGLES ±
		28 VDC	115 VAC	28 VDC	
LOAD		5	5	5	
RESISTIVE		3	5	2.5	
INDUCTIVE		2.4	1.5	2.4	
LAMP					WEIGHT .055 LB MAX