

2MN6
 M
 DRAWING NUMBER
 ISSUE 6
 REVISIONS
 A CO15200 WEG 22 JUNE 65
 B C023123 ORD 21 MAR 68
 C C023152 GFS FEB 69
 D C0057992 MAM 24 SEP 85
 CHECK 12 JUN 65
 CHECK 12 JUN 65
 CHECK 22 JUNE 65
 WEG 22 JUNE 65
 DRAWN
 FO-50376

REPLACES

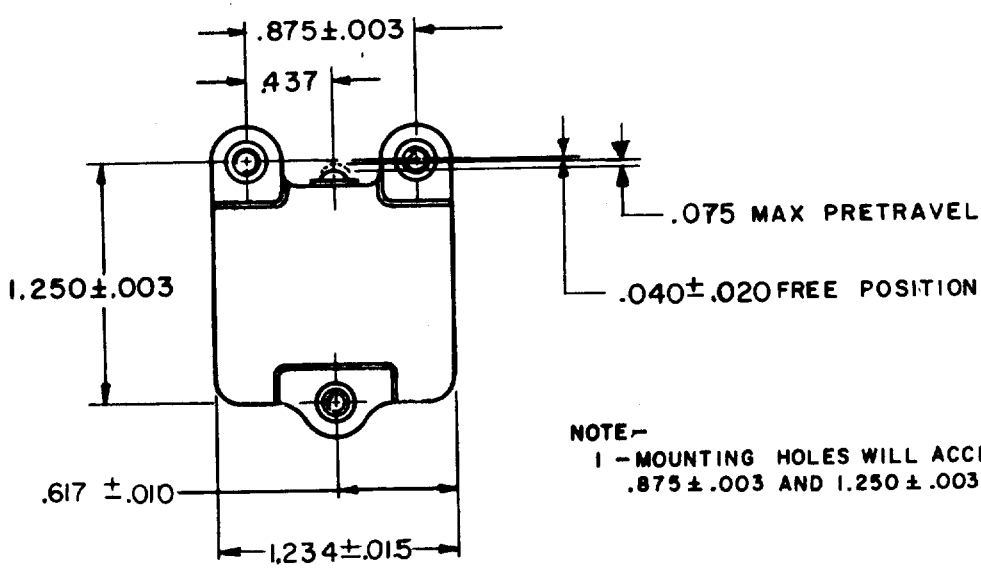
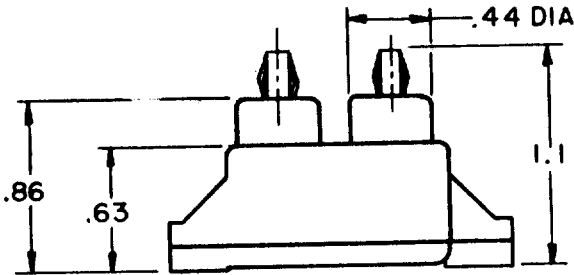
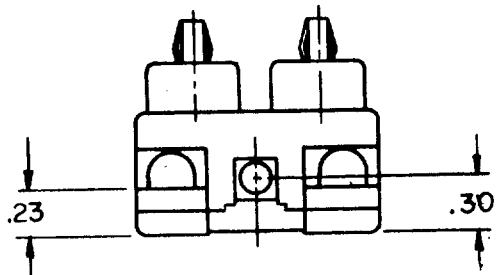
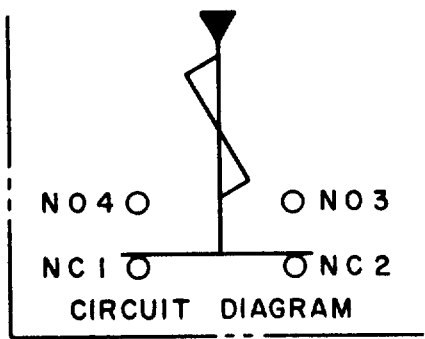
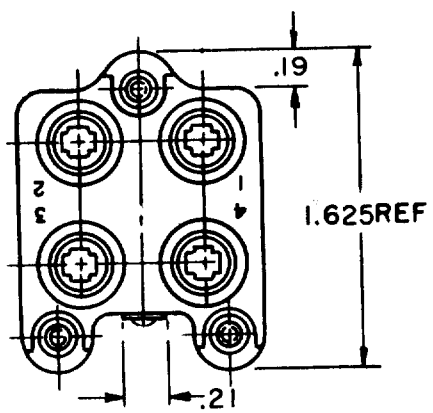
RELEASE NO.

CHECK

CHECK

CHECK

CHECK



NOTE-
 1 - MOUNTING HOLES WILL ACCEPT NO.4 SCREWS ON
 .875 ± .003 AND 1.250 ± .003 CENTER

THIS DRAWING COVERS A PROPRIETARY ITEM AND IS THE PROPERTY OF MICRO SWITCH, A DIVISION OF HONEYWELL. THIS DRAWING IS NOT TO BE COPIED OR USED WITHOUT THE APPROVAL OF MICRO SWITCH.

CHARACTERISTICS	
OPERATING FORCE	16-24 OZ
RELEASE FORCE	10 OZ MIN
DIFFERENTIAL TRAVEL	.011-.020
OVERTRAVEL	.017 MIN
RELEASE TRAVEL	.022 MIN

ELECTRICAL DATA	
CONTACT ARRANGEMENT SEE CIRCUIT DIAGRAM	
10 A-120, 240, OR 480 VAC; 1/2 HP-120 VAC	
.1 HP-240 VAC; 0.8 A-115 VDC; 0.4 A-230 VDC	
0.1 A-550 VDC	
PILOT DUTY: 600 VAC MAX	

SCALE FULL	
DO NOT SCALE PRINT	
UNLESS OTHERWISE NOTED	
DIMENSIONS ARE IN INCHES	
TOLERANCES ARE:	
ONE PLACE (.0)	±.030
TWO PLACE (.00)	±.015
THREE PLACE (.000)	±.005
ANGLES	±
WEIGHT	