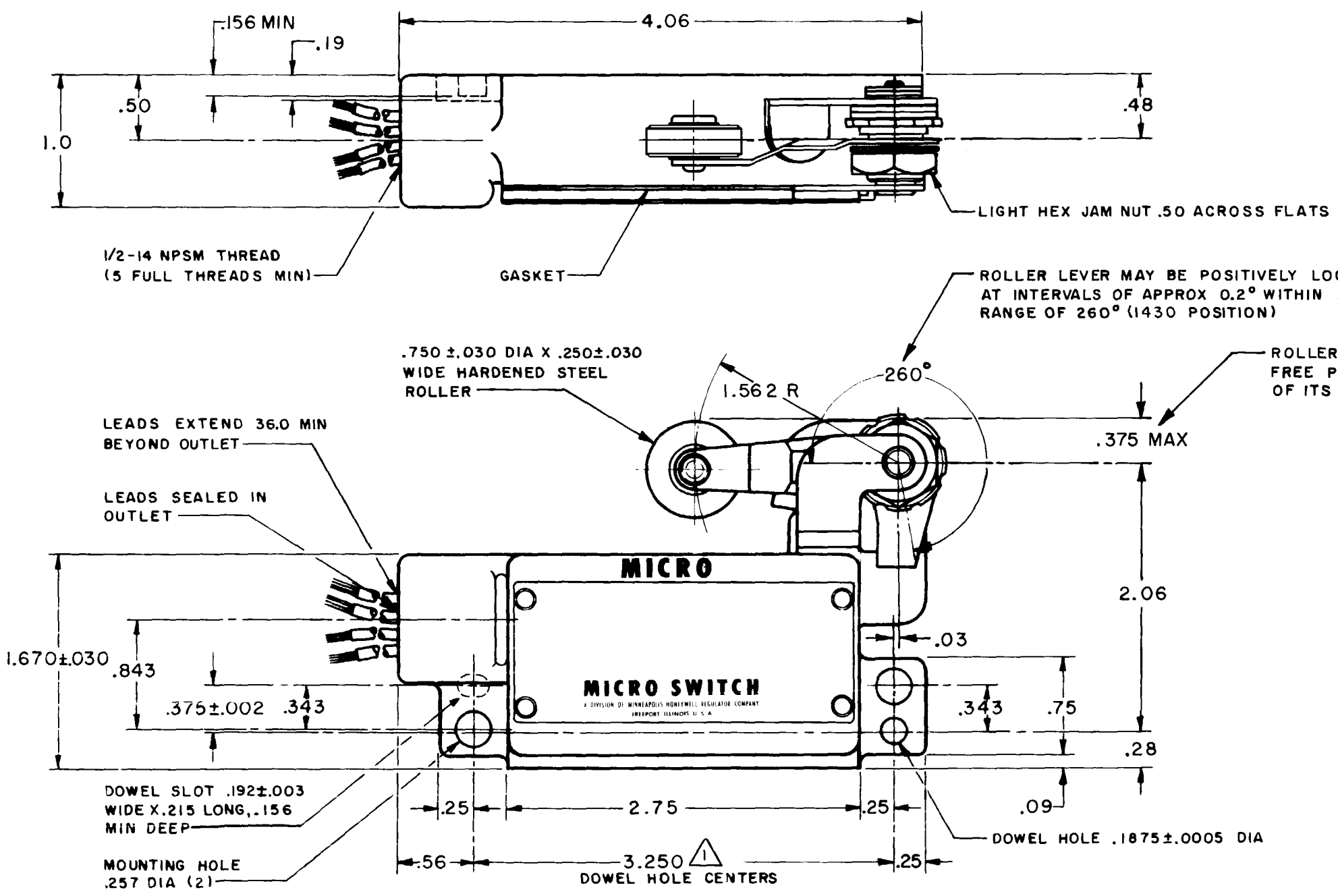
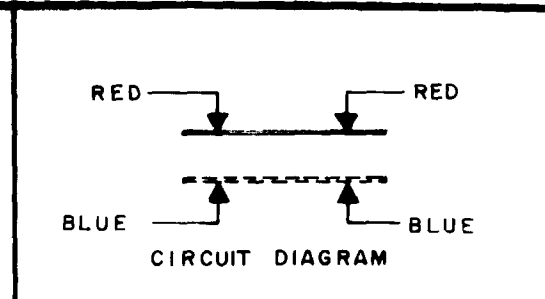


(M) 2LN1-3RH  
 ISSUE 2  
 REPLACES  
 2LN1-3-RH  
 M  
 DRAWING NUMBER  
 37  
 ISSUE  
 88  
 CHECK  
 REVISIONS  
 A CO16227  
 5 SEP 61  
 B CO18546  
 M B F  
 14 NOV 63  
 C CO21551  
 W E G  
 10 JUNE 66  
 D CO55988  
 M A M  
 31 OCT 84  
 E CO81513B  
 J A K  
 13 MAR 97  
 CHECK  
 DRAWN  
 LMH 5 SEP 61  
 FORMTEK

**MICRO SWITCH**  
 A DIVISION OF MINNEAPOLIS HONEYWELL REGULATOR COMPANY  
 FREEPORT, ILLINOIS  
 FED. MFR. CODE 91929

**SWITCH - ENCLOSED**

CATALOG LISTING  
**2LN1-3-RH**



NOTE  
 ▲ - DOWEL HOLES WILL ACCEPT .187 MAX DIA DOWEL PINS ON 3.250 X .375 ± .002 CENTERS

THIS DRAWING COVERS A PROPRIETARY ITEM AND IS THE PROPERTY OF MICRO SWITCH, A DIVISION OF MINNEAPOLIS-HONEYWELL REGULATOR CO. THIS DRAWING IS NOT TO BE COPIED OR USED WITHOUT THE APPROVAL OF MICRO SWITCH.

CHARACTERISTICS	ELECTRICAL DATA	SCALE FULL
OPERATING FORCE ----- 3 LB MAX	CONTACT ARRANGEMENT (SEE CIRCUIT DIAGRAM)	DO NOT SCALE PRINT
DIFFERENTIAL FORCE ----- 1/4 LB MIN		UNLESS OTHERWISE SPECIFIED
RELEASE FORCE ----- 1/2 LB MIN		DIMENSIONS ARE IN INCHES
PRETRAVEL ----- .125 MAX		<b>TOLERANCES ARE:</b>
DIFFERENTIAL TRAVEL ----- .078 MAX	-L25- 10 A-125 OR 250 VAC	ONE PLACE (.0) ± .030
OVERTRAVEL ----- .344 MIN	1/2 HP-125 VAC	TWO PLACE (.00) ± .015
		THREE PLACE (.000) ± .005
		ANGLES ±
		WEIGHT