

MICRO SWITCH

FREEPORT, ILLINOIS, U.S.A.
A DIVISION OF HONEYWELL

FED. MFG. CODE 91929

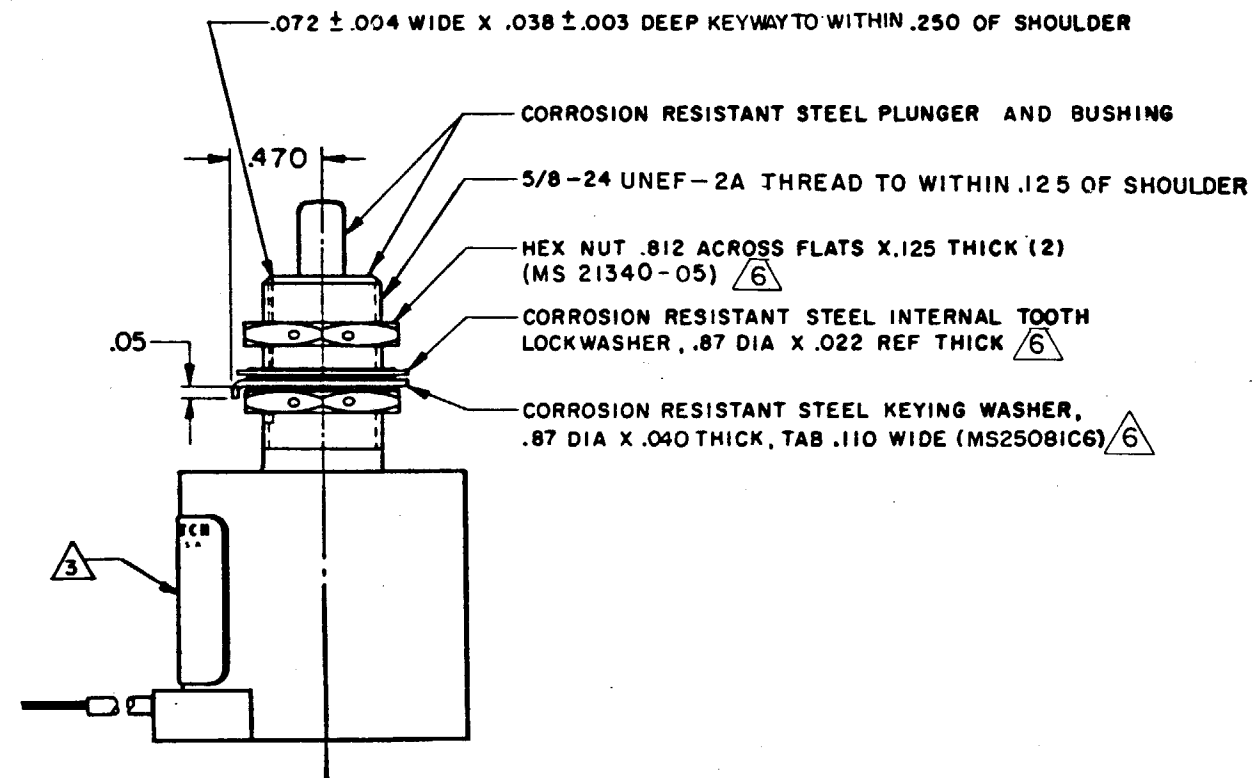
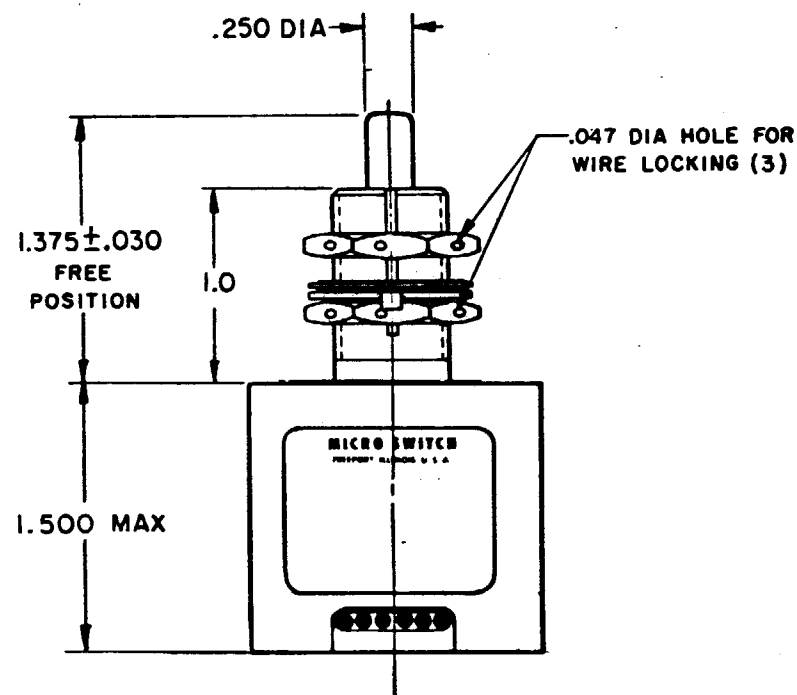
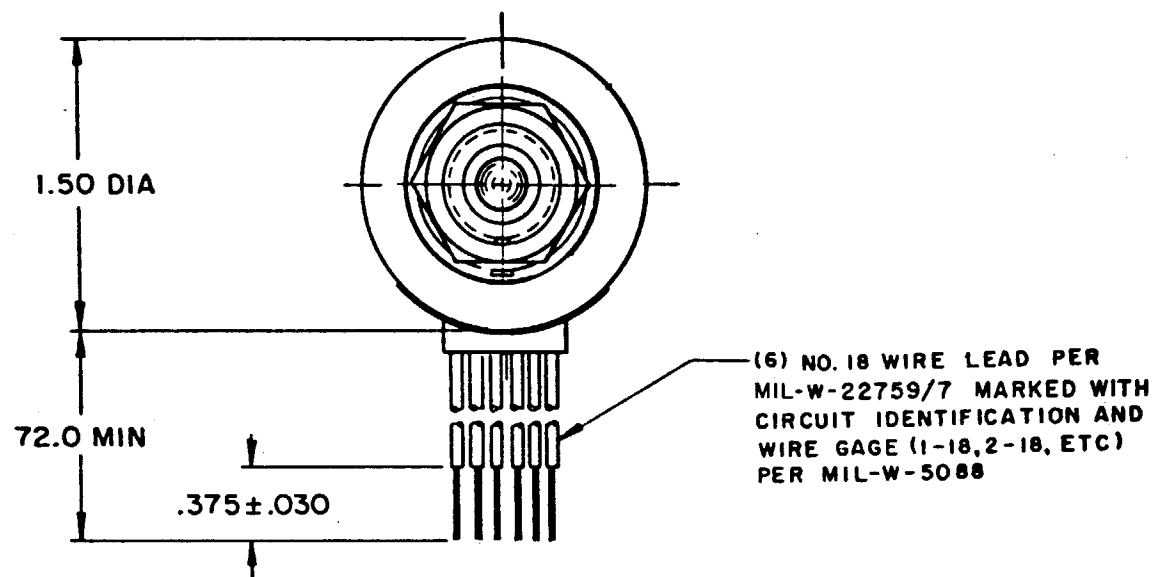
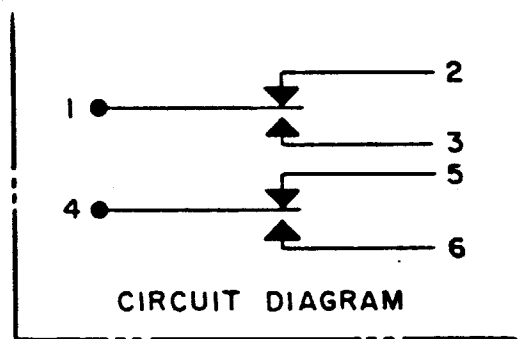
SWITCH-ENCLOSED

CATALOG LISTING

2EN1-6

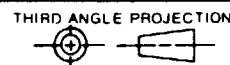
MILITARY STDS. PART NO.

MS 24331-2



2EN1-6	REPLACES	SR4784	CHECK	27 NOV 78	DRAWN	GRT	17 NOV 78	FO-82151-A
M	DRAWING NUMBER	2526	CHECK	27	GRT	17 NOV 78	DRAWN	FO-82151-A
ISSUE	27							
REVISIONS	A	CO44635						
		GRT						
		17 NOV 78						
	B	CO46777						
		JAP						
		12 NOV 79						
	C	CO						
		73787-C						
		DAW						
		16 MAY 94						

THIS DRAWING COVERS A PROPRIETARY ITEM AND IS THE PROPERTY OF MICRO SWITCH, A DIVISION OF HONEYWELL. THIS DRAWING IS NOT TO BE COPIED OR USED WITHOUT THE APPROVAL OF MICRO SWITCH.



SCALE FULL	
DO NOT SCALE PRINT	
TOLERANCES	
APPLY TO DESIGN UNITS. CONVERSIONS ARE ONLY FOR REFERENCE. UNLESS NOTED, TOLERANCES ARE ±	
DIM.	TOL.
mm	mm/in
NO PLACES	X
ONE PLACE	X.X
TWO PLACES	X.XX
THREE PLACES	X.XXX
ANGLES	
SI METRIC	US CUSTOMARY
DESIGN UNITS	
RAW MATERIAL-COMMERCIAL STANDARD MICRO SWITCH STANDARDS APPLY	
DIMENSIONS ARE TO BE MET BEFORE PROTECTIVE COATINGS ARE APPLIED	
WEIGHT	.77 LB

CHARACTERISTICS	
OPERATING FORCE	6-12 LBS
FULL OVERTRAVEL FORCE	30 LBS MAX
RELEASE FORCE	5 LBS MIN
PRETRAVEL	.050 MAX
DIFFERENTIAL TRAVEL	.035 MAX
OVERTRAVEL	.250 MIN

ELECTRICAL DATA		
CONTACT ARRANGEMENT		
S P D T (2)		
28 VDC		
LOAD	SEA LEVEL	50,000 FT.
RES	10	10
IND	3	3
MOTOR	6	6 5

- NOTES**
- 1 - CORROSION RESISTANT STEEL ENCLOSURE
 - 2 - SWITCH SEALED PER MIL-S-8805 SYMBOL 4
 - 3 - CIRCUIT DIAGRAM, CATALOG LISTING, AND MIL STD NO. MS 24331-2 ARE SHOWN ON NAMEPLATE
 - 4 - COINCIDENCE OF OPERATING AND RELEASING POINTS: .010 INCH OF PLUNGER TRAVEL
 - 5 - APPLICATION INFORMATION ONLY
 - 6 - HARDWARE MAY BE PACKAGED UNASSEMBLED PER MIL-S-8805