

MICRO SWITCH
a Honeywell Division

FED. MFG. CODE 91929

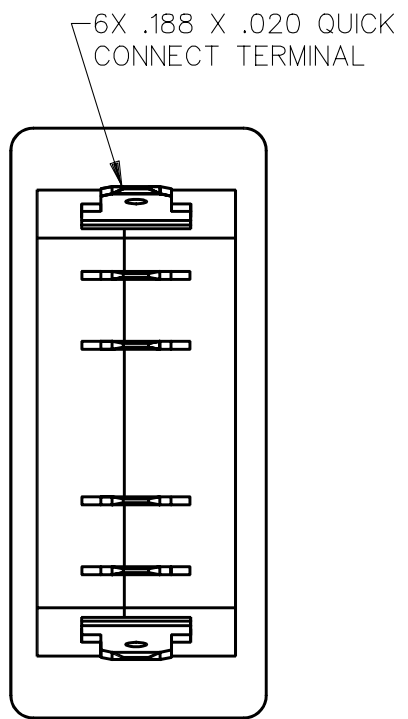
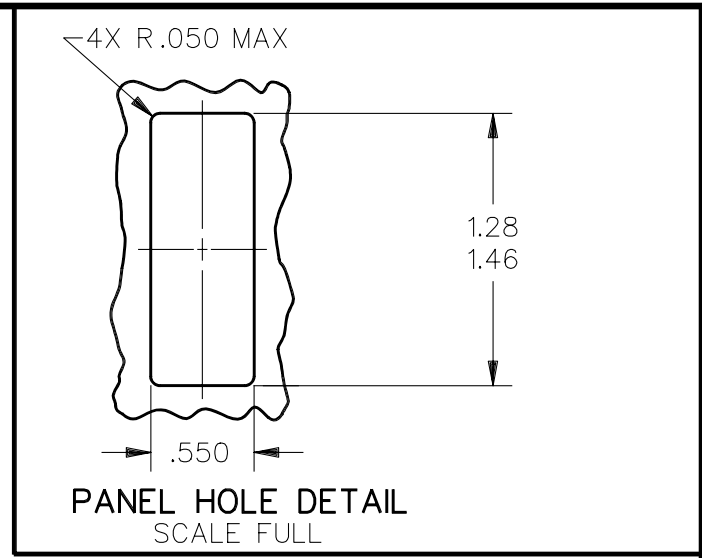
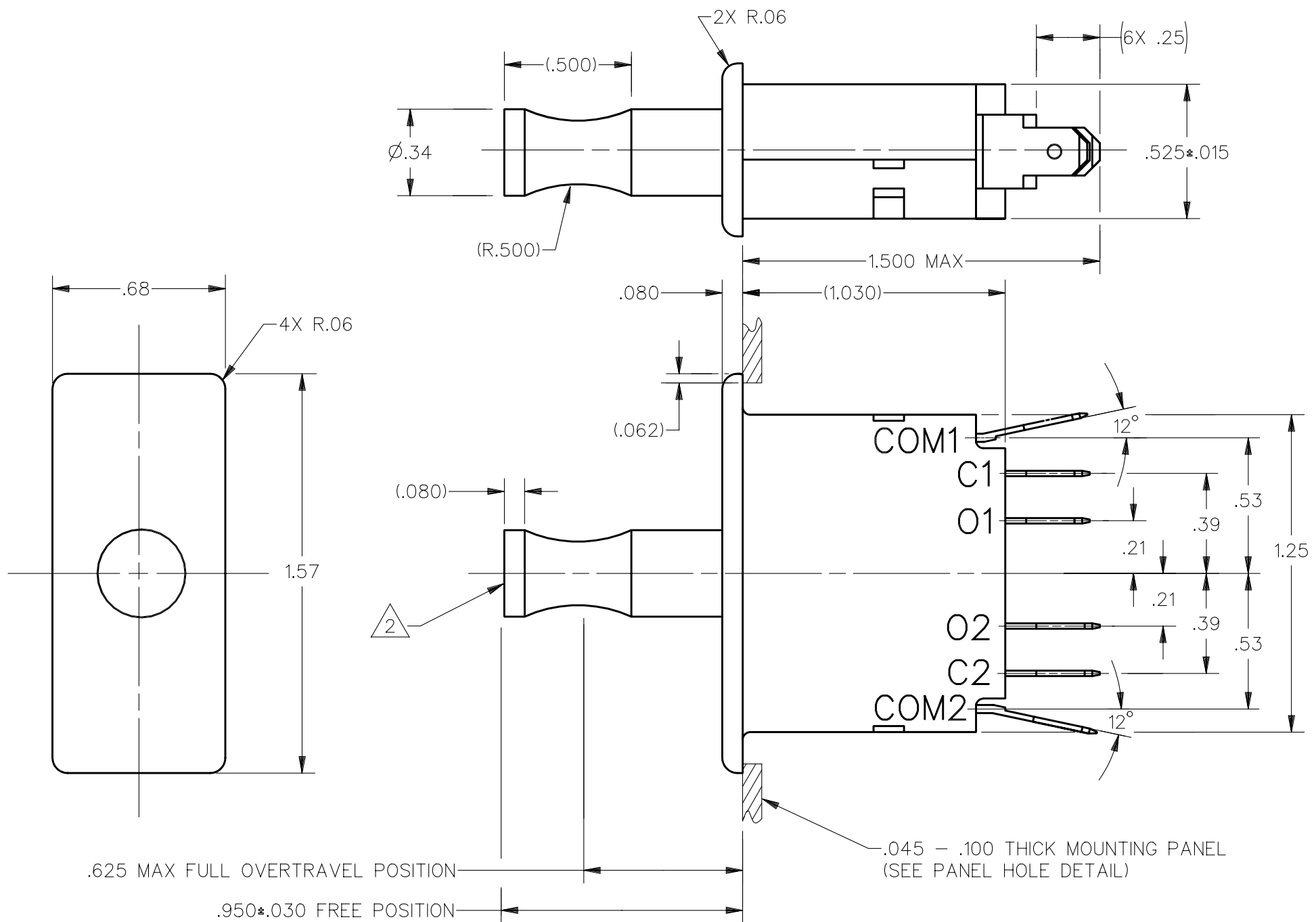
SWITCH - BASIC

CATALOG LISTING

2DM310

MN-H0308

DDM/CAD DRAWN
 DCS 30 SEP 97 CHECK
 DCS 12 NOV 97 CHECK
 REVISIONS
 ISSUE 1
 M
 CATALOG LISTING 2DM310 PAGE 1 OF 1
 RELEASE NO. PR-23016 REPLACES



THIS DRAWING COVERS A PROPRIETARY ITEM AND IS THE PROPERTY OF MICRO SWITCH. A DIVISION OF HONEYWELL. THIS DRAWING IS NOT TO BE COPIED OR USED WITHOUT THE APPROVAL OF MICRO SWITCH

THIRD ANGLE PROJECTION

CHARACTERISTICS
OPERATING FORCE - - - - 24 OZ MAX (TO OPERATE BOTH CIRCUITS)

ELECTRICAL DATA
CONTACT ARRANGEMENT D P D T
L181 10A 1/2HP 125, 250 OR 277 VAC

SCALE 2 : 1
DO NOT SCALE PRINT
UNLESS OTHERWISE SPECIFIED TOLERANCES ARE
ONE PLACE (.0) ± .030
TWO PLACE (.00) ± .015
THREE PLACE (.000) ± .005
ANGLES ± 5°
WEIGHT

NOTES
 1 - GRAY PLASTIC CASE AND BLACK PLASTIC PLUNGER
 2 - PUSH TO OPERATE - MAINTAINED, PULL TO RETURN



ANSI Y14.5M-1982 APPLIES