


REPLACES

RELEASE NO. SR-11721

CATALOG LISTING  
2DM11

**M**

ISSUE  
7

CHECK

REVISIONS  
A CO-  
A 172328  
DHD  
7 JAN 93

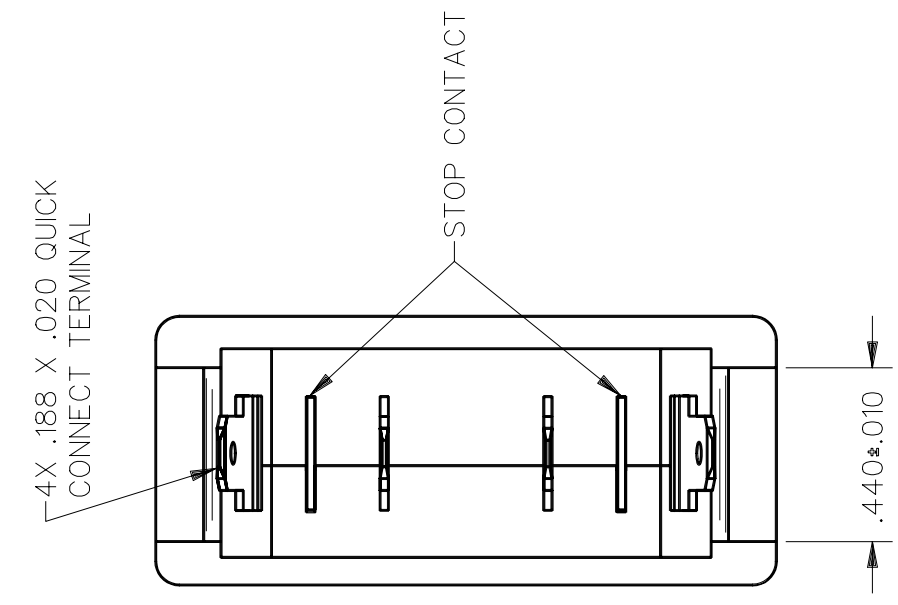
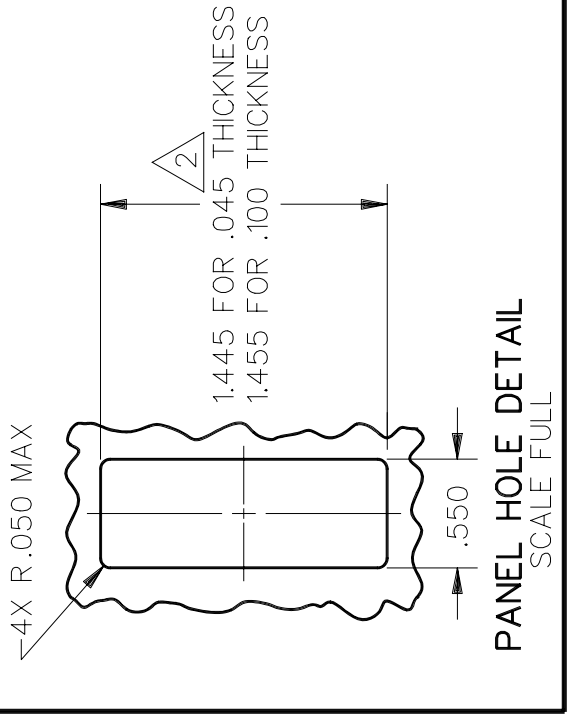
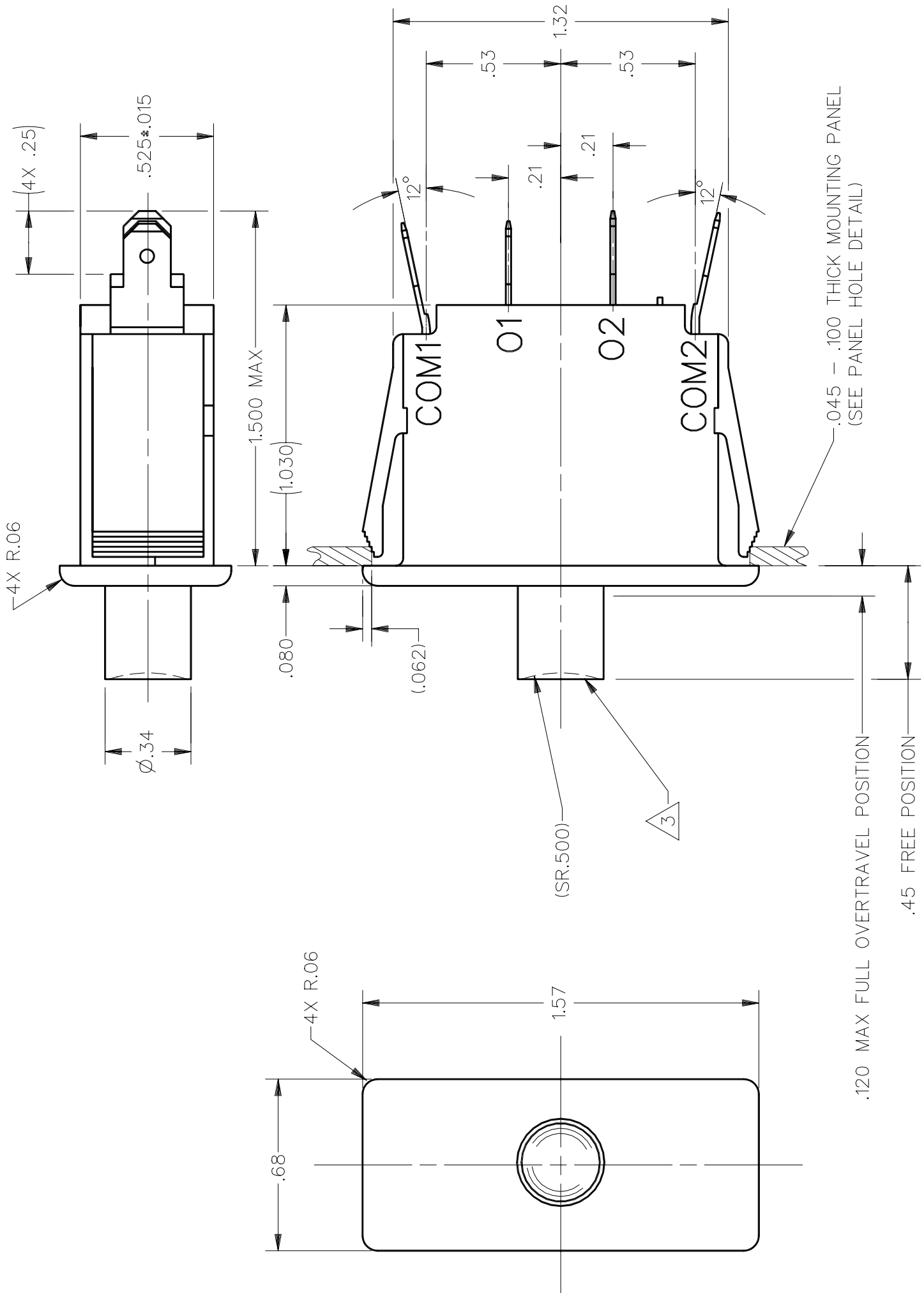
CHECK

CHECK

D H D 7 JAN 93

D M / C A D  
D R A W N

A N S I Y 14.5 M — 1982 A P P L I E S



THIS DRAWING COVERS A PROPRIETARY ITEM AND IS THE PROPERTY OF MICRO SWITCH, A DIVISION OF HONEYWELL. THIS DRAWING IS NOT TO BE COPIED OR USED WITHOUT THE APPROVAL OF MICRO SWITCH.	THIRD ANGLE PROJECTION 
<b>CHARACTERISTICS</b>	SCALE 2 TO 1
OPERATING FORCE — — — — — 24 OZ MAX	DO NOT SCALE PRINT
	<b>UNLESS OTHERWISE SPECIFIED TOLERANCES ARE</b>
L181	ONE PLACE ( . 0 ) ± . 030
10A 1/2HP 125, 250 OR 277 VAC	TWO PLACE ( . 00 ) ± . 015
	THREE PLACE ( . 000 ) ± . 005
	ANGLES ± 5°
	WEIGHT ±

**ELECTRICAL DATA**

CONTACT ARRANGEMENT  
S P N O (BOTH CKTS)

NOTE  
1 — BLACK PLASTIC CASE AND PLUNGER  
2 — NOMINAL CUTOUT DIMENSION FOR PANELS BETWEEN .045 AND .100 SHOULD BE INTERPOLATED BETWEEN 1.445 AND 1.455  
3 — PUSH TO OPERATE — MOMENTARY

ANSI Y14.5M-1982 APPLIES