

MICRO SWITCH
a Honeywell Division

FED. MFG. CODE 91929

SWITCH-BASIC

CATALOG LISTING

2D64

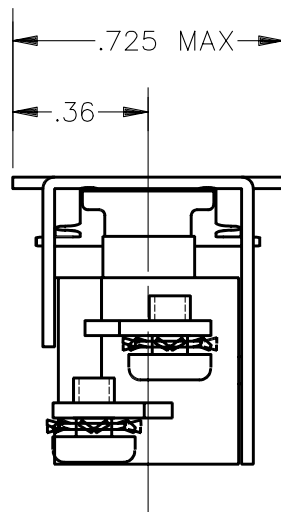
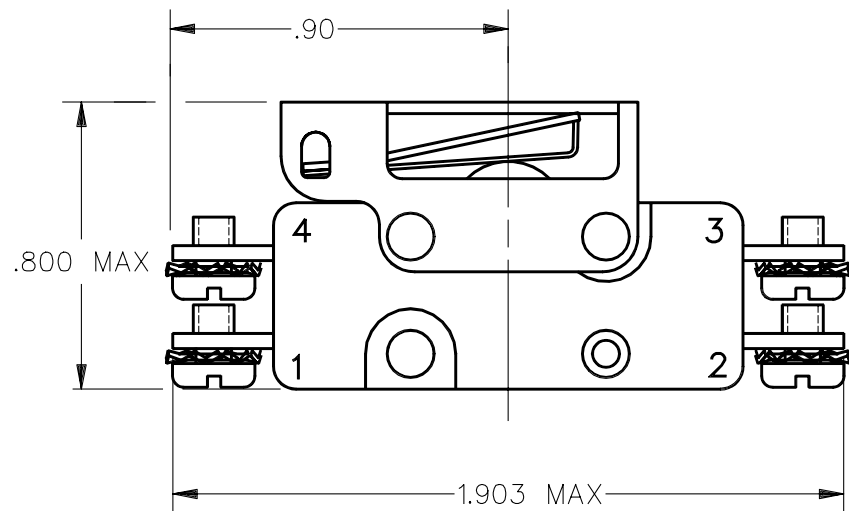
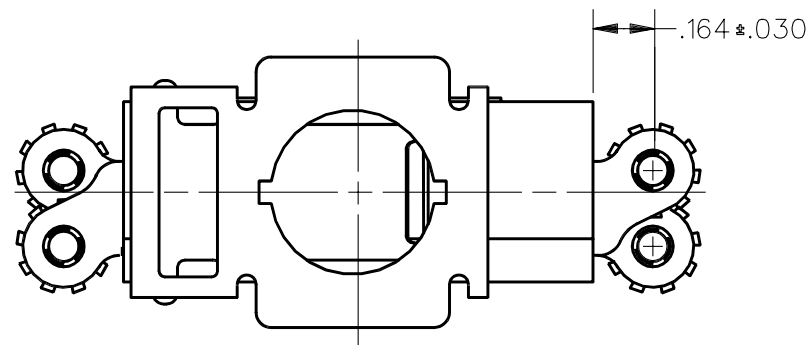
FAA-PMA

THIS DRAWING COVERS A PROPRIETARY ITEM AND IS THE PROPERTY OF MICRO SWITCH, A DIVISION OF HONEYWELL. THIS DRAWING IS NOT TO BE COPIED OR USED WITHOUT THE APPROVAL OF MICRO SWITCH

SPECIFICATION DETAILS:

FOR END CUSTOMER USE

STANDARD:	NO MILITARY QUALIFICATION
CONSTRUCTION:	FOR USE WITH SERIES 2 OPERATORS
ENCLOSURE	UNSEALED
MOUNTING OF OPERATOR	PARALLEL OR NORMAL TO MAJOR AXIS
CIRCUIT CONFIGURATION 1TB22-1	TWO CIRCUIT-DOUBLE BREAK
CONTACT MATERIAL	FINE SILVER
CASE	PHENOLIC
PLUNGER	THERMOPLASTIC
MODULE ACTION	MOMENTARY
TERMINATION	
BRASS TERMINALS	60/40 TIN/LEAD PLATED
PHOSPHOR BRONZE WASHERS	ZINC COBALT PLATED W/CHROMATE FINISH
#4-48 UNF SCREWS	ZINC COBALT PLATED W/CHROMATE FINISH
EXPOSED METALS	STAINLESS STEEL
ELECTRICAL RATINGS:	30VDC-10 AMP
	125-250 VAC-10 AMP
	1/2HP-125 VAC
DIELECTRIC STRENGTH	
BETWEEN ISOLATED POINTS	1000 VOLTS RMS
CHARACTERISTICS:	
MECHANICAL LIFE	50,000 OPERATIONS
ELECTRICAL LIFE	50,000 OPERATIONS
TEMPERATURE RANGE	-40°C TO +79.4°C
OPERATING POINT	.171 MAX FROM ASSEMBLY REFERENCE PLANE
OPERATING FORCE	20 OZ MAX
RELEASE POINT	.112 MIN FROM ASSEMBLY REFERENCE PLANE
RELEASE FORCE	4.0 OZ MIN



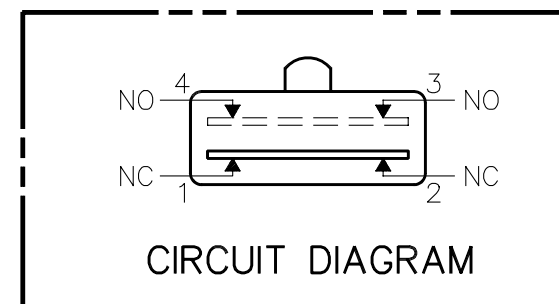
CATALOG LISTING
2D64
PAGE 1 OF 1

ISSUE
7

REVISIONS	CHECK
A CO-82939 TSM 4 APR 96	
B CO-82962 TSM 9 APR 96	
C CO84186 J A F 13 MAY 97	
D CO-93788 J J A 9 DEC 98	

DDM/CAD
DRAWN
T S M
4 APR 96
CHECK
M A M
4 APR 96
CHECK

ANSI Y14.5M-1982 APPLIES



THIRD ANGLE PROJECTION	
SCALE	2 : 1
DO NOT SCALE PRINT	
UNLESS OTHERWISE SPECIFIED TOLERANCES ARE	
ONE PLACE (.0)	±.030
TWO PLACE (.00)	±.015
THREE PLACE (.000)	±.005
ANGLES	±
WEIGHT	.08 OZ