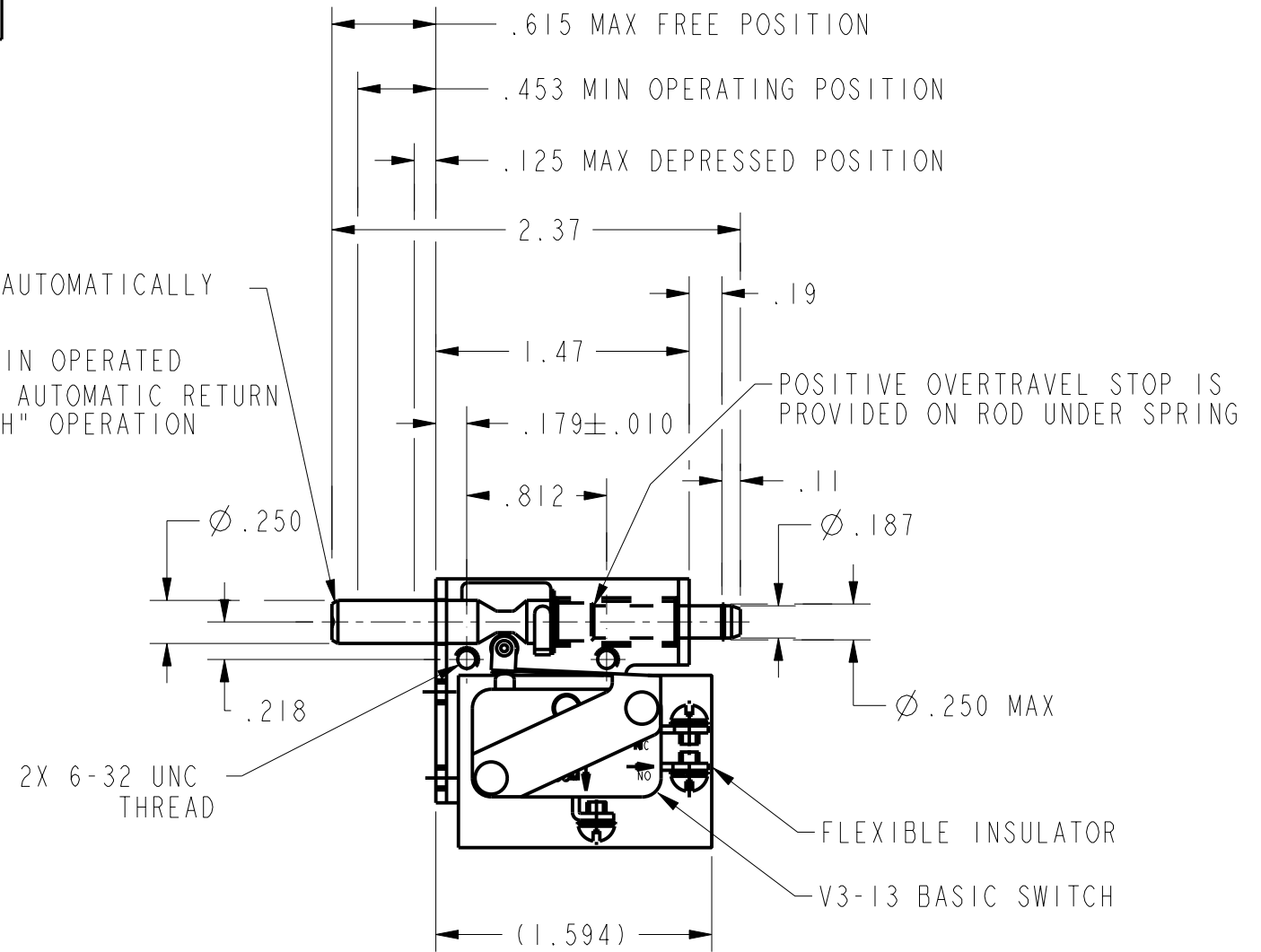


PUSH TO OPERATE-RETURNS AUTOMATICALLY TO POSITION SHOWN
 PULL TO OPERATE-REMAINS IN OPERATED POSITION UNTIL RESET FOR AUTOMATIC RETURN BY NEXT FULL STROKE "PUSH" OPERATION



THIS DRAWING COVERS A PROPRIETARY ITEM AND IS THE PROPERTY OF MICRO SWITCH, A DIVISION OF HONEYWELL. THIS DRAWING IS NOT TO BE COPIED OR USED WITHOUT THE APPROVAL OF MICRO SWITCH

CHARACTERISTICS	ELECTRICAL DATA
	CONTACT ARRANGEMENT S P D T
	15.1A 1/2HP 125, 250 VAC 1/2A 125 VDC, 1/4A 250 VDC 5A 125 VAC "L"

THIRD ANGLE PROJECTION	
SCALE	FULL
DO NOT SCALE PRINT	
UNLESS OTHERWISE SPECIFIED TOLERANCES ARE	
ONE PLACE	(.0) ±.030
TWO PLACE	(.00) ±.015
THREE PLACE	(.000) ±.005
ANGLES	±
WEIGHT	1.41 OZ APPROX

NOTES

- 1 - PLASTIC PARTS ARE MADE OF MINERAL FILLED PHENOLICS
- 2 - CAUTION: SNAP RELEASING OF ACTUATOR FROM FULLY DEPRESSED POSITION MAY CAUSE ROD TO RETURN THROUGH THE PULL-TO-ACTUATE POSITION CAUSING THE SWITCH TO REMAKE THE CIRCUIT
- 3 - WITH ROD IN EITHER ACTUATED POSITION, BASIC SWITCH PLUNGER MUST HAVE .010 MIN OVERTRAVEL AND WITH ROD IN FREE POSITION BASIC SWITCH PLUNGER MUST HAVE .005 MIN RELEASE TRAVEL