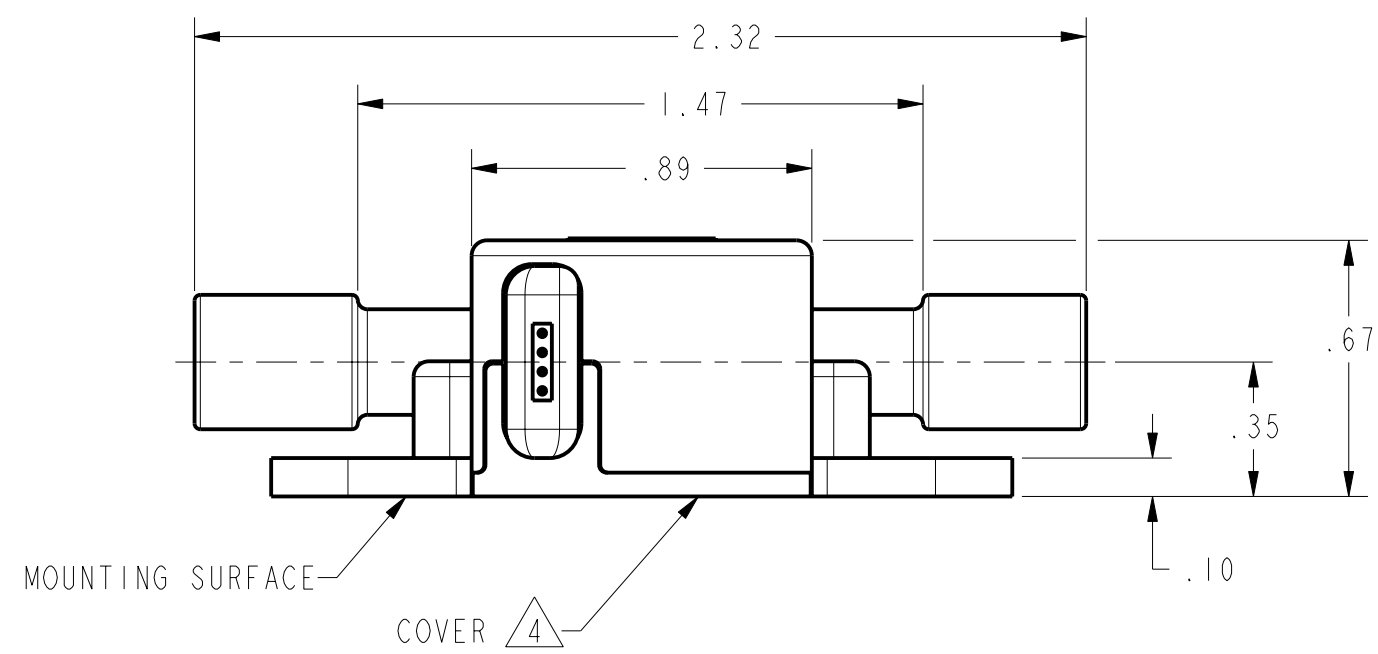
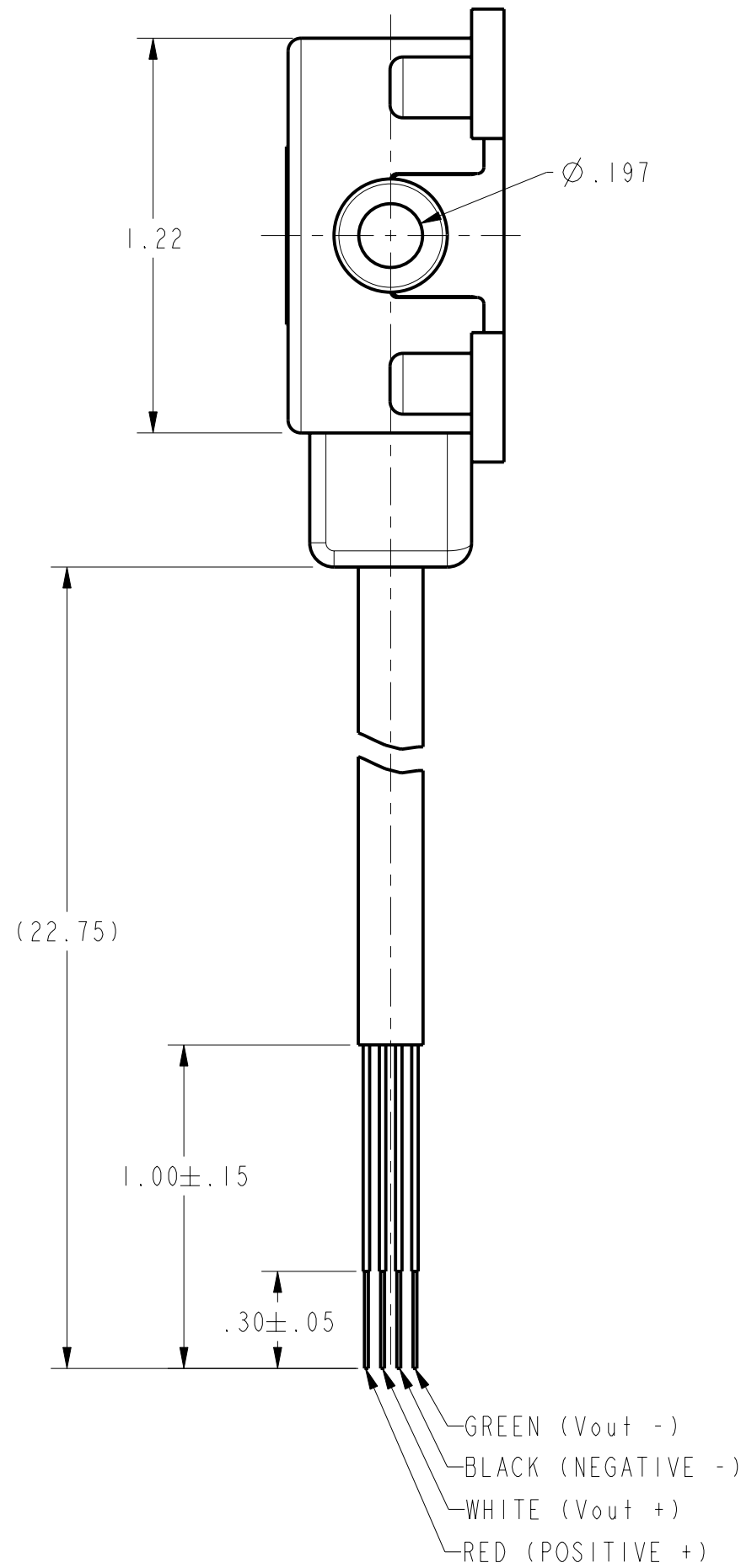
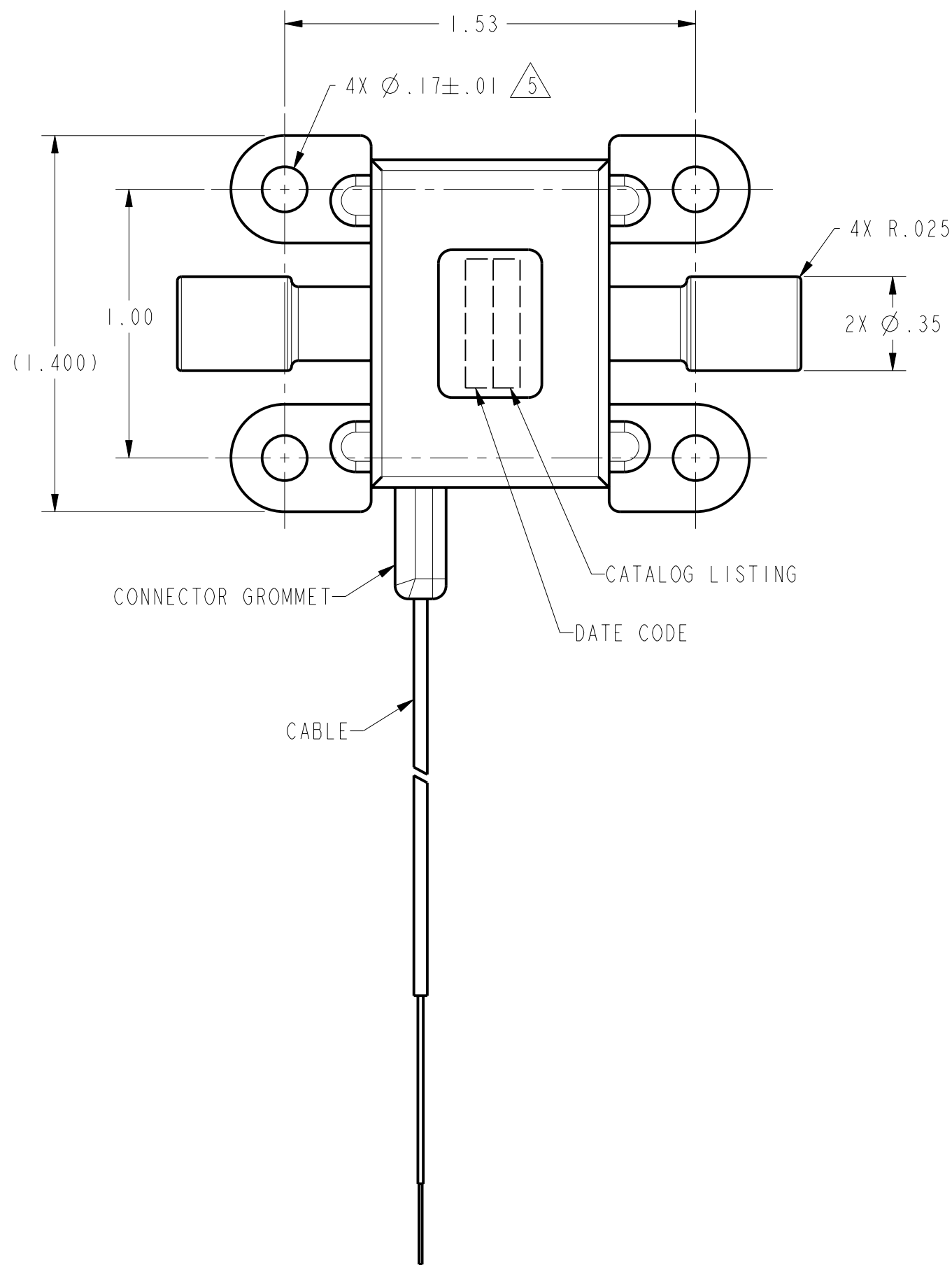


REV	DOCUMENT	CHANGED BY	CHECK
1	200941	WJC 30AUG00	SAV



- NOTES
- 1 - COMPENSATED TEMPERATURE RANGE IS 0°-50°C
 - 2 - PORTS FIT INTO 1/4 INCH INSIDE DIAMETER TUBING
 - 3 - SPECIFICATIONS ARE FOR 0-15 PSI OPERATION
 - 4 COVER TO BE UNDERFLUSH WITH MOUNTING SURFACE
 - 5 CLEARANCE FOR M4 OR 8/32 SCREWS

26PC SENSOR SPECIFICATION				
(AT 10.00±0.01 VDC EXCITATION, 25°C)				
PARAMETER	MIN	NOM	MAX	UNITS
NULL OFFSET	-1.5	0	+1.5	mV
SPAN (AT 15 PSI)	37.5	39.5	41.5	mV
	MIN	TYP	MAX	UNITS
LINEARITY		0.25		%SPAN
REPEATABILITY & HYSTERESIS		±0.15		%SPAN
RESPONSE TIME			1.0	msec
NULL SHIFT (25°-0°C, 25°-50°C)		±2.0		mV
SENSITIVITY SHIFT (25°-0°C, 25°-50°C)		±1.5		%SPAN
INPUT RESISTANCE		7.5 K		OHMS
OUTPUT RESISTANCE		2.5 K		OHMS
EXCITATION VOLTAGE		10	16	VDC
OVER PRESSURE			60	PSI
OPERATING TEMPERATURE (-40° - +85°C)				
STORAGE TEMPERATURE (-55° - +105°C)				

UNLESS OTHERWISE SPECIFIED TOLERANCES ARE:	<input checked="" type="checkbox"/> US (inch) CUSTOMARY	<input type="checkbox"/> SI (mm) METRIC	DRAWN	WJC	30AUG00	Honeywell Sensing and Control						
NO PLACE	X	±.040 ±1	CHECK	SAV	30AUG00			TITLE	BRIDGE PRESSURE SENSOR			
ONE PLACE	.X	±.030 ±0,4	THIS DRAWING COVERS A PROPRIETARY ITEM AND IS THE PROPERTY OF HONEYWELL SENSING AND CONTROL. THIS DRAWING IS NOT TO BE COPIED OR USED WITHOUT THE PERMISSION OF HONEYWELL.			SIZE	DWG TYPE	DRAWING NAME	REV			
TWO PLACE	.XX	±.015 ±0,15				C	M	26PCJEU5G19	1			
THREE PLACE	.XXX	±.005 ±				3D PTC	ASME Y14.5M-1994	SCALE	2:1	WEIGHT	SHEET	1 OF 1
ANGLES		±										
RAW MATERIAL-COMMERCIAL STANDARD		±										
THIRD ANGLE PROJECTION												