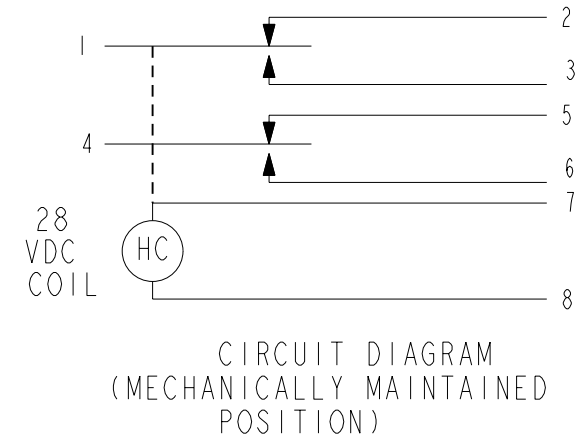
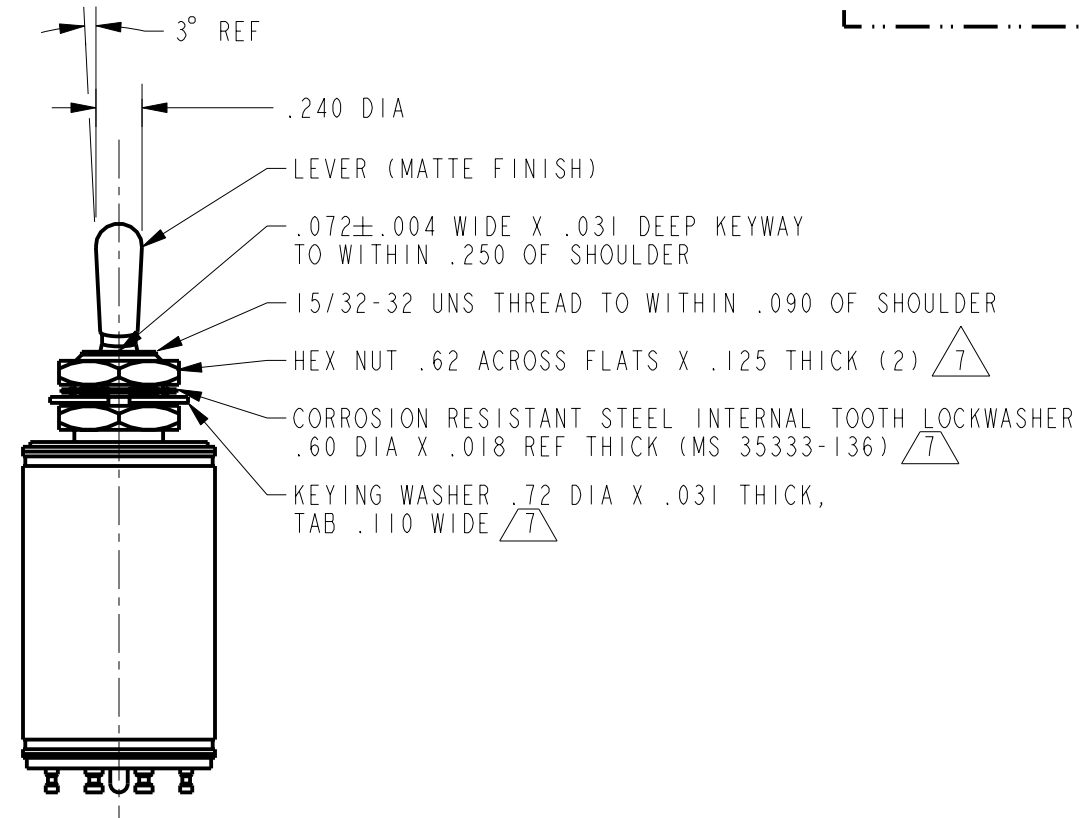
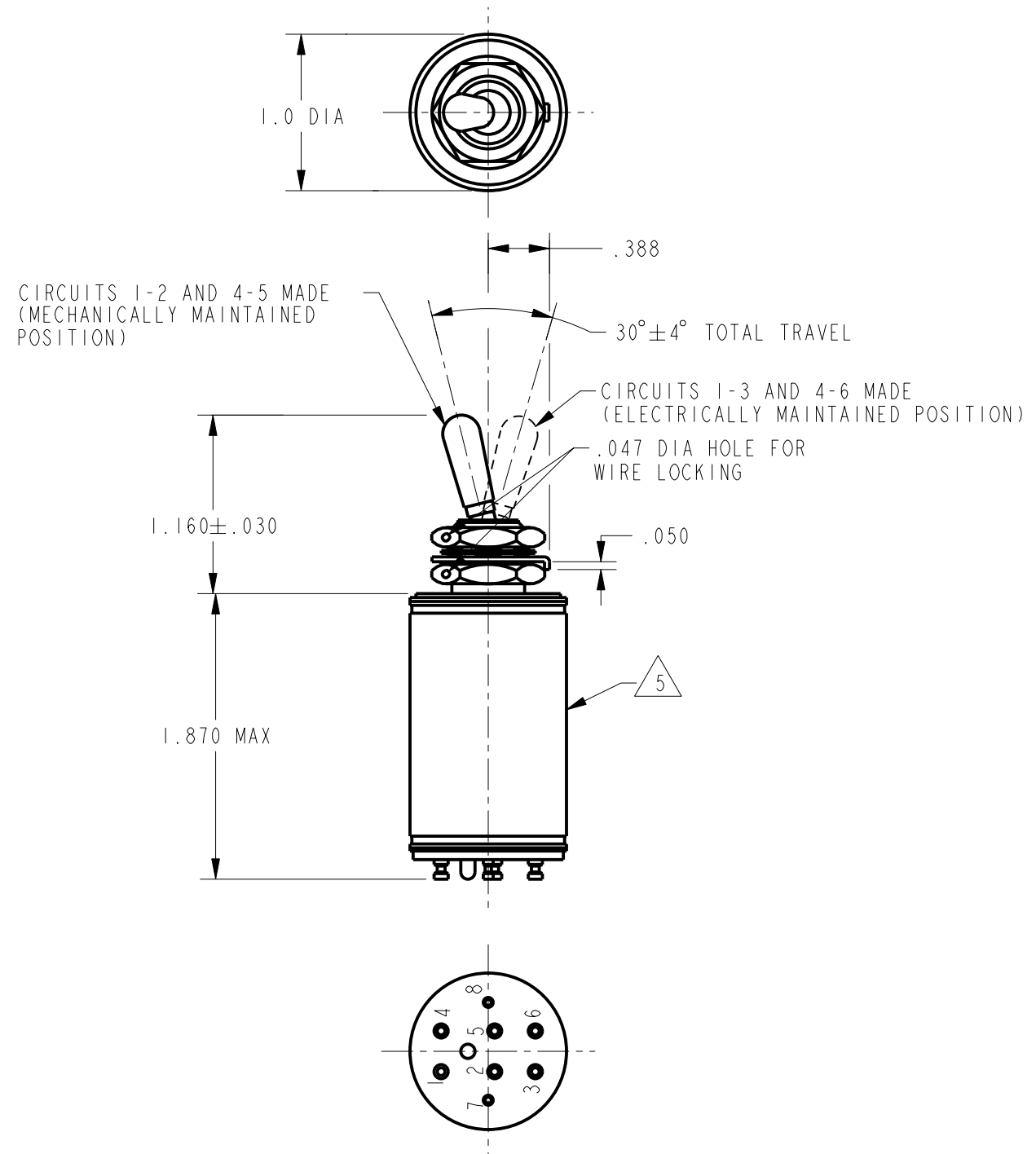
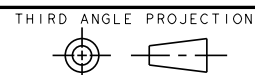


PTC/CAD 2D
 DRAWN
 C S L 31 MAY 02
 CHECK
 S A V 31 MAY 02
 CHECK
 MAY 02
 REVISIONS
 A 205732
 C S L
 31 MAY 02
 ISSUE
 7
 M
 CATALOG LISTING
 26ET1-T
 PAGE 1 OF 1
 RELEASE NO. PR-2240-T
 REPLACES -



- NOTES
- 1 - EXPOSED PARTS ARE OF CORROSION RESISTANT MATERIAL OR ARE SUITABLY PROTECTED TO PREVENT CORROSION, ENCLOSURE FINISHED WITH BLUE EPOXY BASED ENAMEL COLOR NO. 25184 PER FEDERAL STANDARD 595
 - 2 - SWITCH SEALED PER MIL-S-5594
 - 3 - HOLD IN VOLTAGE: THE MINIMUM SPECIFIED VOLTAGE AT WHICH THE LEVER WILL REMAIN ACTUATED. HOLD IN MAY OCCUR AT A LOWER VALUE. DROP OUT VOLTAGE: THE VOLTAGE RANGE IN WHICH THE LEVER WILL BE RELEASED
 - 4 - CIRCUITS CAN BE TRANSFERRED MANUALLY. ENERGIZING THE COIL WILL NOT CAUSE TRANSFER OF CIRCUITS
 - 5 - CIRCUIT IDENTIFICATION IS SHOWN ON SWITCH
 - 6 - SWITCHES DO NOT NECESSARILY OPERATE SIMULTANEOUSLY
 - 7 - HARDWARE MAY BE FURNISHED UNASSEMBLED PER MIL-S-5594

THIS DRAWING COVERS A PROPRIETARY ITEM AND IS THE PROPERTY OF MICRO SWITCH, A DIVISION OF HONEYWELL. THIS DRAWING IS NOT TO BE COPIED OR USED WITHOUT THE APPROVAL OF MICRO SWITCH



CHARACTERISTICS 3		ELECTRICAL DATA		SCALE FULL	
SOLENOID RATING AT 20°C		CONTACT ARRANGEMENT SPDT (2)		DO NOT SCALE PRINT	
STEADY STATE LIMITS ----- 20-29 VDC		RATINGS IN AMPHERES		UNLESS OTHERWISE SPECIFIED TOLERANCES ARE	
HOLD IN ----- 15 VDC				ONE PLACE (.0) ± .030	
DROP OUT ----- 0-15 VDC		VOLTAGE	SEA LEVEL	TWO PLACE (.00) ± .015	
OVERRIDE FORCE AT 29 VDC ----- 10 LB MAX				THREE PLACE (.000) ± .005	
OPERATING FORCE ----- 7 LBS MAX		28 VOLTS DC	IND MOTOR	ANGLES ±	
COIL RESISTANCE ----- 220 OHM MIN				WEIGHT 4.0 OZ MAX	

ANSI Y14.5M 1982 APPLIES