

MICRO SWITCH

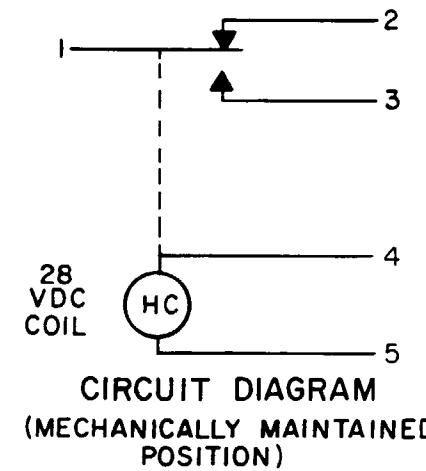
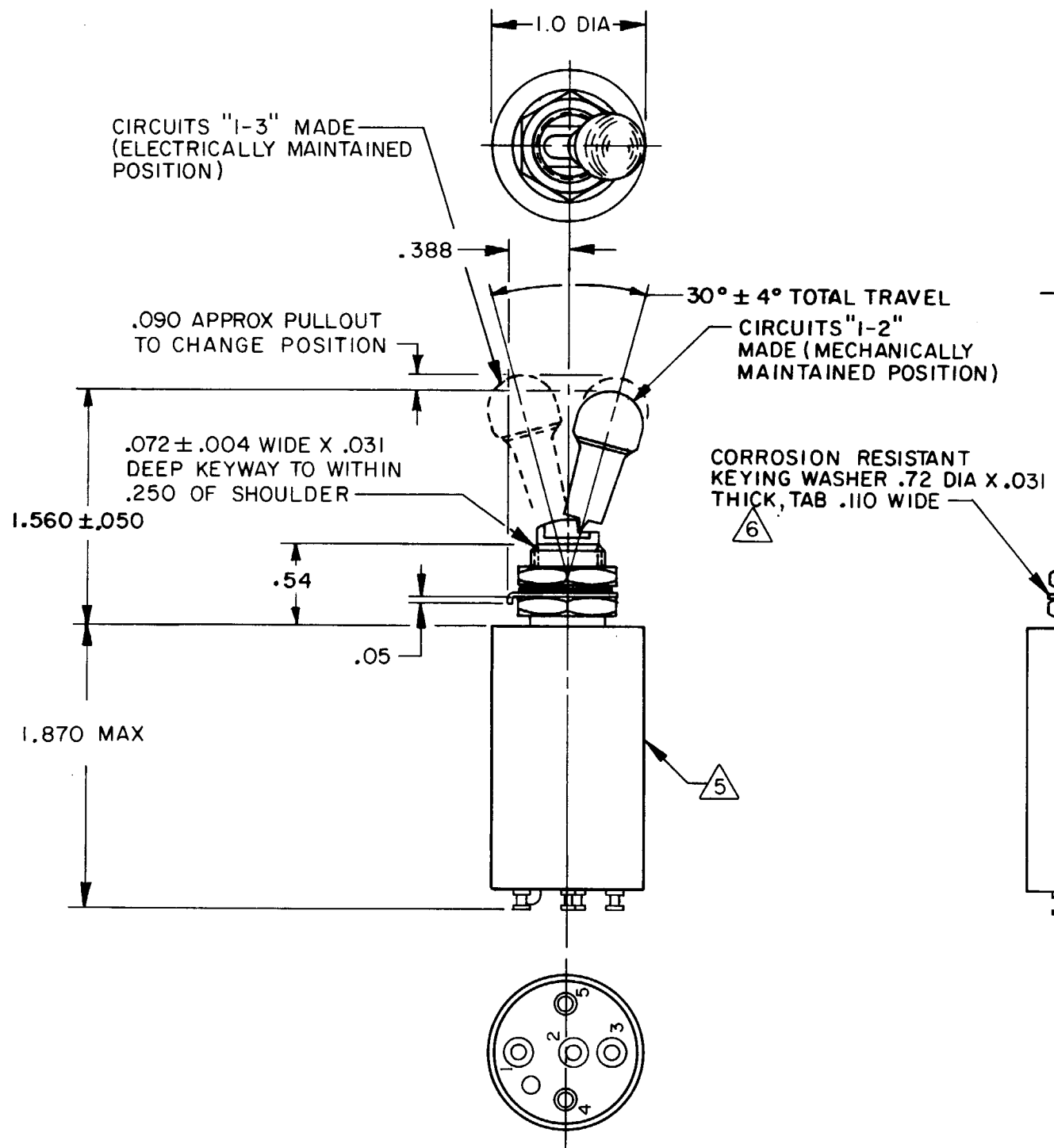
FREEPORT ILLINOIS U.S.A.
A DIVISION OF HONEYWELL

FED. MFG. CODE 91929

**SWITCH - TOGGLE
(MAGNETIC HOLD-IN)**

CATALOG LISTING
25ET1-T-F

DRAWING NUMBER: **M 25ET1-T-F**
 ISSUE: **4**
 REVISIONS:
 A REINST PR-11763 J A P 15 DEC 82
 B CO 53402 M A M 16 APR 84
 CHECK: CEE 17 DEC 82
 DRAWN: J A P 16 DEC 82
 FO-52851-A



- NOTES**
- 1 - EXPOSED PARTS ARE OF CORROSION RESISTANT MATERIAL OR ARE SUITABLY PROTECTED TO PREVENT CORROSION. ENCLOSURE FINISHED WITH BLUE EPOXY BASED ENAMEL COLOR NO. 25184 PER FEDERAL STANDARD 595
 - 2 - SWITCH SEALED PER MIL-S-5594
 - 3 - HOLD IN VOLTAGE: THE MINIMUM SPECIFIED VOLTAGE AT WHICH THE LEVER WILL REMAIN ACTUATED. HOLD IN MAY OCCUR AT A LOWER VALUE. DROP OUT VOLTAGE: THE VOLTAGE RANGE IN WHICH THE LEVER WILL BE RELEASED
 - 4 - CIRCUITS CAN BE TRANSFERRED MANUALLY. ENERGIZING THE COIL WILL NOT CAUSE TRANSFER OF CIRCUITS
 - 5 - CIRCUIT IDENTIFICATION IS SHOWN ON SWITCH
 - 6 - HARDWARE MAY BE FURNISHED UNASSEMBLED PER MIL-S-5594

THIS DRAWING COVERS A PROPRIETARY ITEM AND IS THE PROPERTY OF MICRO SWITCH, A DIVISION OF HONEYWELL. THIS DRAWING IS NOT TO BE COPIED OR USED WITHOUT THE APPROVAL OF MICRO SWITCH.

THIRD ANGLE PROJECTION

SCALE FULL

DO NOT SCALE PRINT

TOLERANCES
APPLY TO DESIGN UNITS. CONVERSIONS ARE ONLY FOR REFERENCE. UNLESS NOTED, TOLERANCES ARE:

DIM.	TOL.	DIM.	TOL.
mm	mm/in	in	mm/in
NO PLACES	X	1/64	X X
ONE PLACE	X, X	0.01/016	X X X
TWO PLACES	X, XX	0.157/006	X X X X
THREE PLACES	X, XXX	0.01/015	X X X X X
AND:		0.387/015	X X X X X X
		0.137/005	

DESIGN UNITS: SI METRIC US CUSTOMARY

RAW MATERIAL - COMMERCIAL STANDARD MICRO SWITCH STANDARDS APPLY. DIMENSIONS ARE TO BE MET BEFORE PROTECTIVE COATINGS ARE APPLIED.

WEIGHT 6 OZ. MAX.

CHARACTERISTICS	ELECTRICAL DATA								
	CONTACT ARRANGEMENT S P D T								
SOLENOID RATING AT 20° C									
STEADY STATE LIMITS ----- 20-29 VDC									
HOLD IN ----- 10 VDC									
DROP OUT ----- 0-10 VDC									
OVERRIDE FORCE AT 29 VDC -- 10 LB MAX									
COIL RESISTANCE ----- 220 OHM MIN									
	RATING IN AMPERES		SEA LEVEL		IND		MOTOR		
	VOLTA	INRUSH	RES	IND	MOTOR	INRUSH	RES	IND	MOTOR
	28 VOLTS DC	4	3	4	4	2.5	4		