

MICRO SWITCH

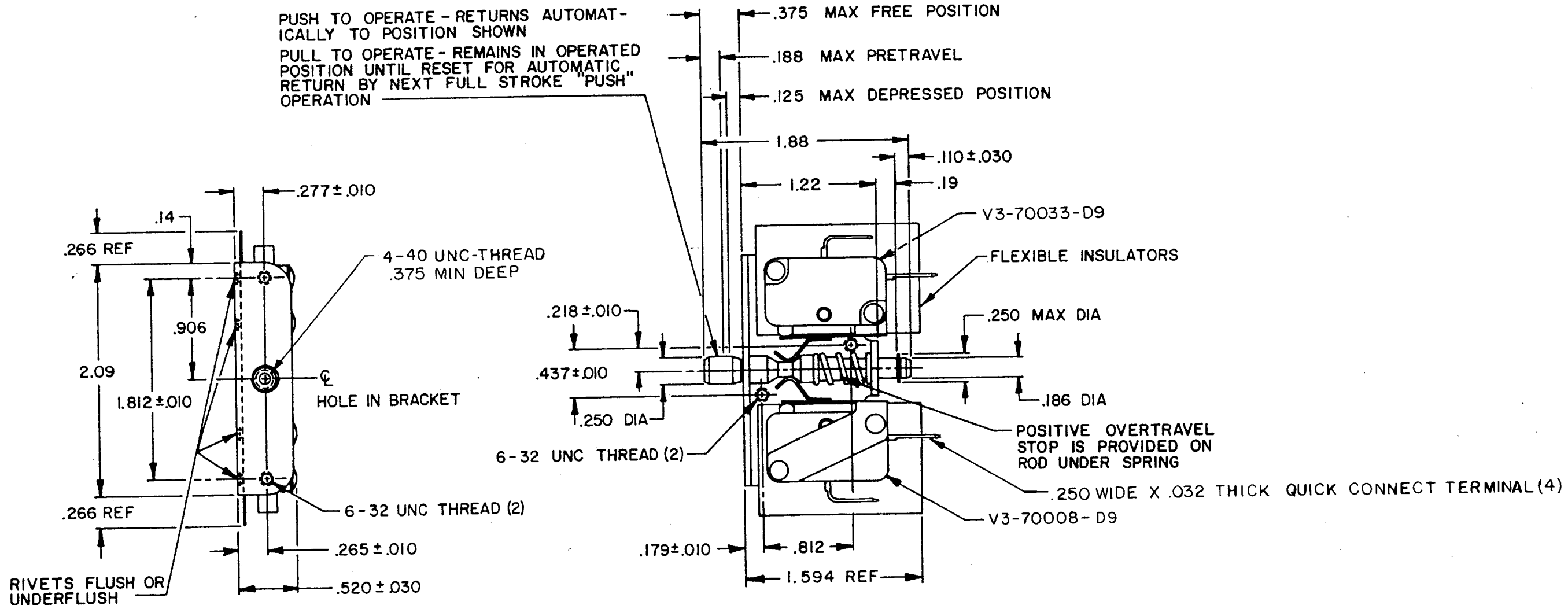
FREEPORT, ILLINOIS, U.S.A.
A DIVISION OF HONEYWELL
FED. MFG. CODE 91929

ASSEMBLY - SWITCH

CATALOG LISTING
24AC27-D9

M

DRAWING NUMBER: **24AC27-D9**
 ISSUE: **4**
 REVISIONS:
 A CO-67000 BAB MAR 90
 B C075331 LJP 14 DEC 93
 C C077595 PLT 29 JUN 94
 CHECK: **29 DEC 89**
 DRAWN: **WLS**
 DATE: **22 DEC 89**
 FO-5285 1-B
 DRAWN: **WLS**
 DATE: **22 DEC 89**
 CHECK: **29 DEC 89**
 REPLACES: **PR-17862**



- NOTES**
- 1 - UNIT INCLUDES V3-70033-D9 BASIC SWITCH (1) AND V3-70008-D9 BASIC SWITCH (1)
 - 2 - SWITCHES DO NOT NECESSARILY OPERATE SIMULTANEOUSLY
 - 3 - NOTCH IN ACTUATOR ROD WILL PERMIT .035 DISPLACEMENT BETWEEN END OF ROD AND HOLE IN BRACKET
 - 4 - BASIC SWITCH PLASTIC PARTS ARE MADE OF MINERAL FILLED PHENOLICS
 - 5 - ACTUATOR ROD MADE OF HIGH STRENGTH PLASTIC

THIS DRAWING COVERS A PROPRIETARY ITEM AND IS THE PROPERTY OF MICRO SWITCH, A DIVISION OF HONEYWELL. THIS DRAWING IS NOT TO BE COPIED OR USED WITHOUT THE APPROVAL OF MICRO SWITCH.		SCALE FULL
CHARACTERISTICS		DO NOT SCALE PRINT
ELECTRICAL DATA		UNLESS OTHERWISE SPECIFIED TOLERANCES ARE
CONTACT ARRANGEMENT SPNO (1) SPNC (1)		ONE PLACE (.0) ± .030
TOTAL TRAVEL .250 APPROX. PUSH DIRECTION .188 APPROX. PULL DIRECTION		TWO PLACE (.00) ± .015
5A - 1/10 HP - 125 OR 250 VAC		THREE PLACE (.000) ± .005
		ANGLES ±
		THIRD ANGLE PROJECTION
		WEIGHT