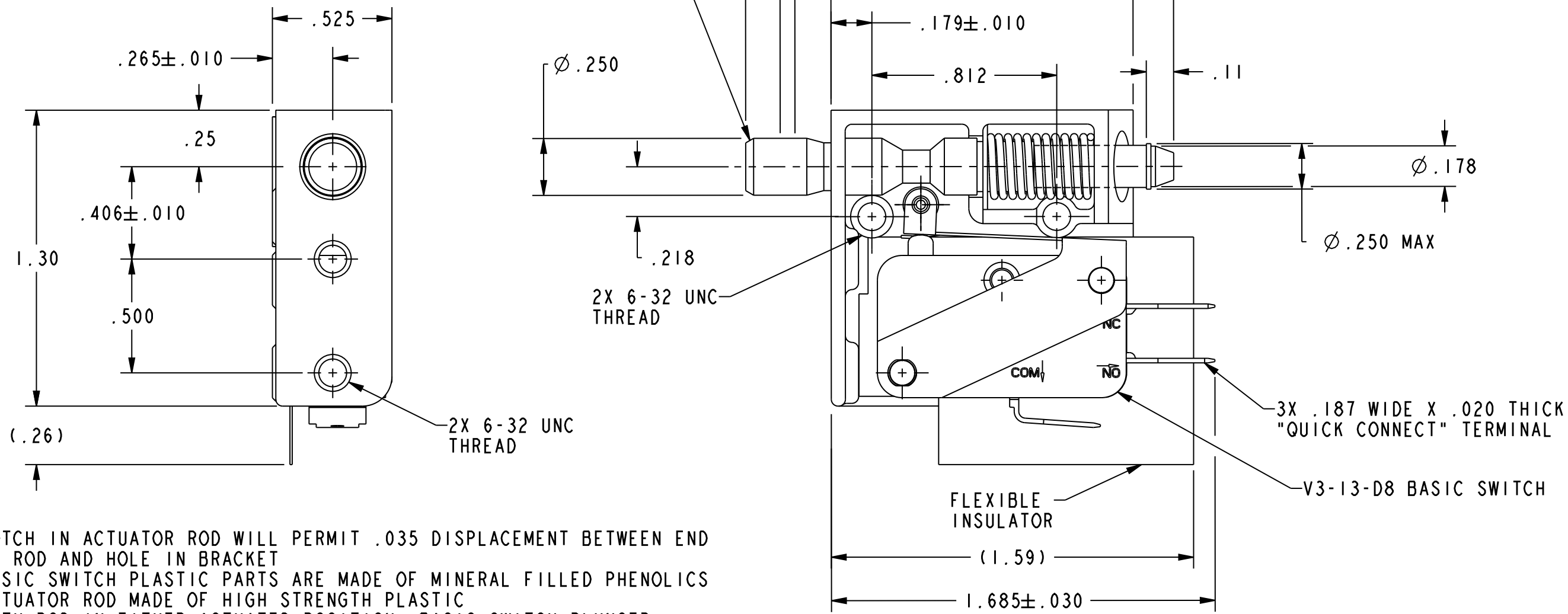


HONEYWELL PART NUMBER
22AC1-D8
PRODUCT CODE
KC-Q0015

REV	DOCUMENT	CHANGED BY	CHECK
4	0054964	KNR 23JUL09	CMH

PUSH TO OPERATE-RETURNS AUTOMATICALLY TO POSITION SHOWN
 PULL TO OPERATE-REMAINS IN OPERATED POSITION UNTIL RESET FOR AUTOMATIC RETURN BY NEXT FULL STROKE "PUSH" OPERATION



NOTES:

- 1 - NOTCH IN ACTUATOR ROD WILL PERMIT .035 DISPLACEMENT BETWEEN END OF ROD AND HOLE IN BRACKET
- 2 - BASIC SWITCH PLASTIC PARTS ARE MADE OF MINERAL FILLED PHENOLICS
- 3 - ACTUATOR ROD MADE OF HIGH STRENGTH PLASTIC
- 4 - WITH ROD IN EITHER ACTUATED POSITION, BASIC SWITCH PLUNGER MUST HAVE .015 MIN OVERTRAVEL AND WITH ROD IN FREE POSITION BASIC SWITCH PLUNGER MUST HAVE .005 MIN RELEASE TRAVEL

RELEASE NO. PR-4606

CHARACTERISTICS	ELECTRICAL DATA	DESIGN UNITS: INCH	DRAWN	KNR	23JUL09	Honeywell					
		TOLERANCES UNLESS NOTED:	CHECK	SS	23JUL09						
TOTAL TRAVEL	CONTACT ARRANGEMENT S P D T	NO PLACES	x	±	- THIS DRAWING COVERS A PROPRIETARY ITEM AND IS THE PROPERTY OF HONEYWELL. THIS DRAWING IS NOT TO BE COPIED OR USED WITHOUT THE PERMISSION OF HONEYWELL.	TITLE ASSEMBLY-SWITCH					
.250 APPROX PUSH DIRECTION .187 APPROX PULL DIRECTION		ONE PLACE	.x	±							
FULLY DEPRESSED FORCE - 4LB MAX	15.1A 1/2HP 125, 250 VAC 1/2A 125 VDC, 1/4A 250 VDC 5A 125 VAC "L"	TWO PLACE	.xx	±		INTERPRET PER ANSI Y14.5M-1982 OTHER HONEYWELL ENGINEERING STANDARDS MAY APPLY	SIZE	TYPE	CAGE CODE	DRAWING NAME	REV
		THREE PLACE	.xxx	±		B	I	-	22AC1-D8	4	
		ANGLES	x	±	Pro/ENGINEER	3D	SCALE	2:1	SHEET	1 OF 1	
		THIRD ANGLE PROJECTION									