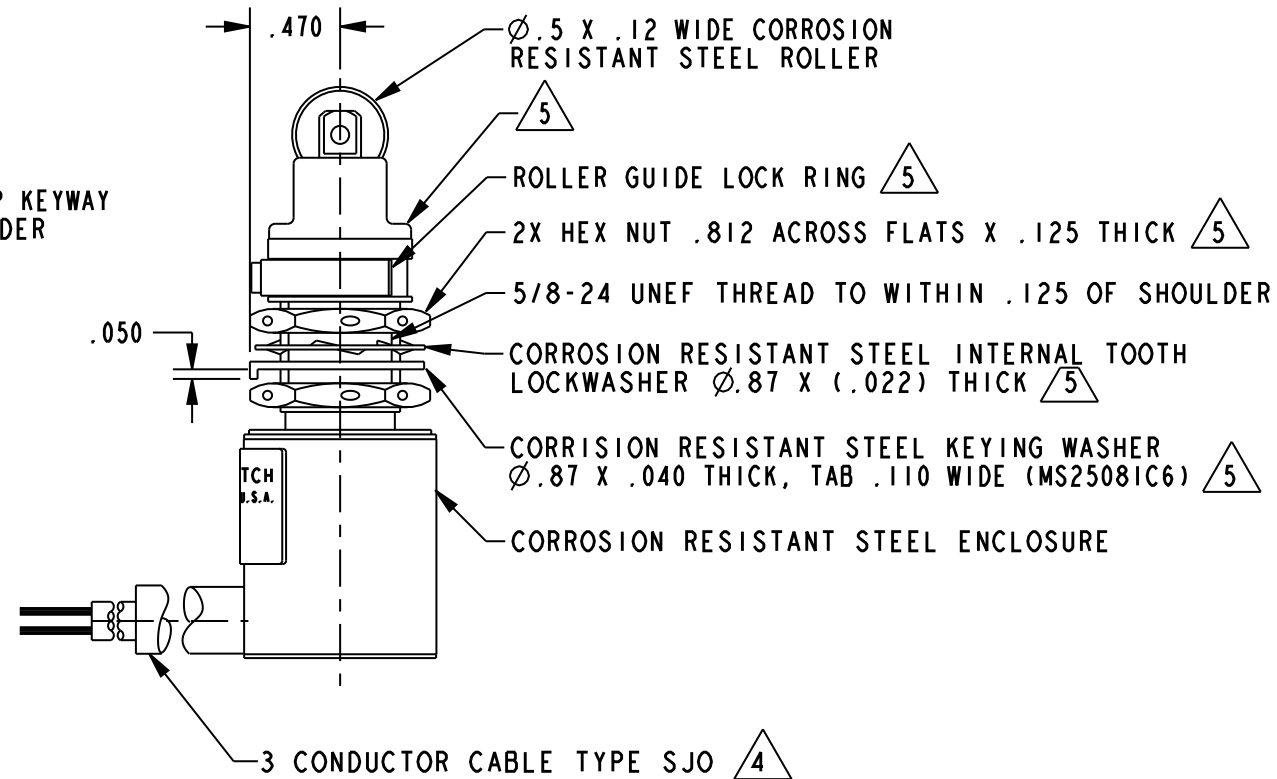
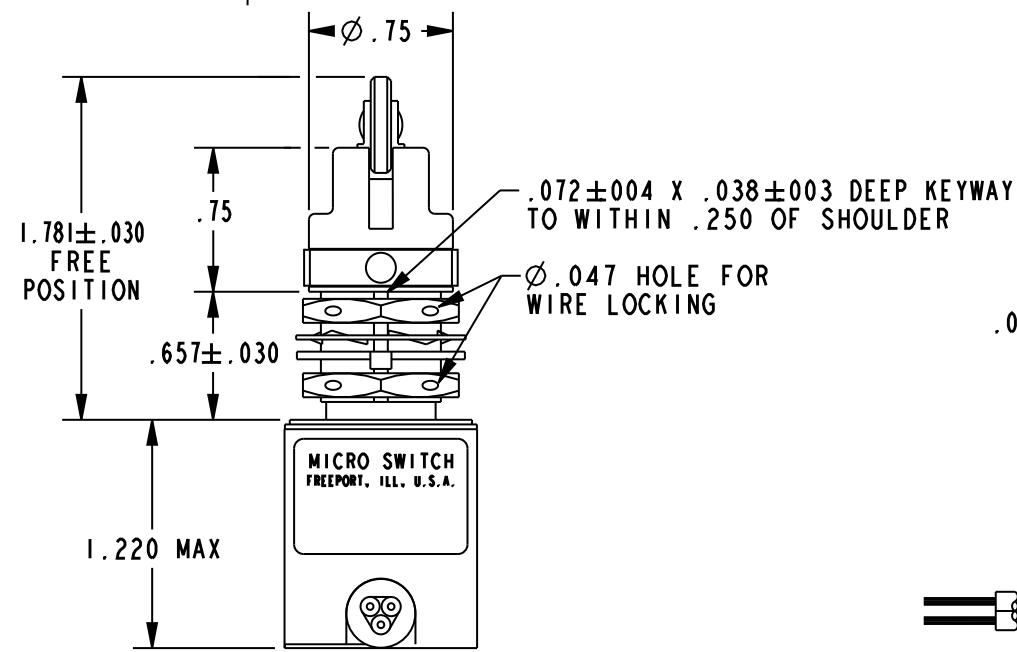
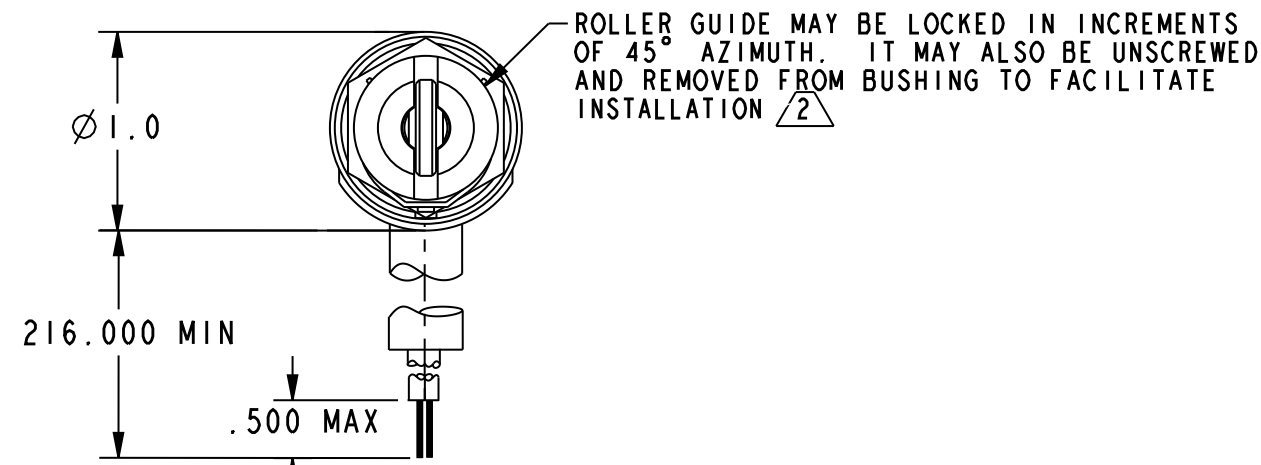
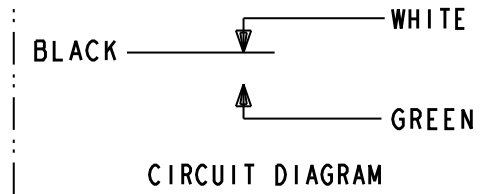


**MICRO SWITCH**  
a Honeywell Division  
FED. MFG. CODE 91929

**SWITCH ENCLOSED**

CATALOG LISTING

**21CH38-18**



NOTES

- 1 - SWITCH SEALED PER MIL-PRF-8805 SYMBOL 3
- $\triangle 2$  - TO ADJUST ROLLER DIRECTION, REMOVE ROLLER GUIDE LOCK RING, SCREW ROLLER GUIDE DOWN AS FAR AS POSSIBLE, THEN UNSCREW TO DESIRED DIRECTION. SECURE BY REPLACING ROLLER GUIDE LOCK RING
- 3 - CIRCUIT DIAGRAM, CATALOG LISTING AND DATE CODE ARE SHOWN ON NAMEPLATE
- $\triangle 4$  - LEAD WIRE COLOR CODES TO SHOW LEAD IDENTIFICATION
- $\triangle 5$  - HARDWARE MAY BE PACKAGED UNASSEMBLED PER MIL-PRF-8805

CATALOG LISTING  
21CH38-18  
PAGE 1 OF 1  
REPLACES  
RELEASE NO. PR-20819  
03APR09  
CMH  
CHECK  
03APR09  
CHECK  
24NOV05  
CHECK  
24NOV05  
CHECK  
0040542  
CHECK  
19MAY00  
DRAWN  
G J W  
PTC/CAD 2D

THIS DRAWING COVERS A PROPRIETARY ITEM AND IS THE PROPERTY OF MICRO SWITCH, A DIVISION OF HONEYWELL. THIS DRAWING IS NOT TO BE COPIED OR USED WITHOUT THE APPROVAL OF MICRO SWITCH

CHARACTERISTICS		ELECTRICAL DATA		THIRD ANGLE PROJECTION
OPERATING FORCE	6-12 LB	CONTACT ARRANGEMENT		SCALE 1:1
FULL OVERTRAVEL FORCE	30 LB MAX	S P D T		
RELEASE FORCE	4 LB MIN	28 VDC		DO NOT SCALE PRINT
PRETRAVEL	.040 MAX	LOAD	SEA LEVEL	UNLESS OTHERWISE SPECIFIED TOLERANCES ARE
DIFFERENTIAL TRAVEL	.020 MAX	RES	50,000 FT	ONE PLACE (.0) ± .030
OVERTRAVEL	.250 MIN	IND		TWO PLACE (.00) ± .015
		MOTOR		THREE PLACE (.000) ± .005
				ANGLES ± -
				WEIGHT 26.0 OZ MAX

ANSI Y14.5M-1982 APPLIES