

208LS214
 PAGE 1 OF 1

M

DRAWING NUMBER

7

ISSUE

REVISIONS

A	CORR	
M B S		11 OCT 68
B	CO24612	
R E R		24 OCT 68
C	CO25152	
D A W		19 APR 69
D	PR-1685	
R E R		4 FEB 71
E	CO-77031	
J B B		22 DEC 93
F	CO94494	
J A F		22 MAR 99

67

DEC 67

DEC 67

DEC 67

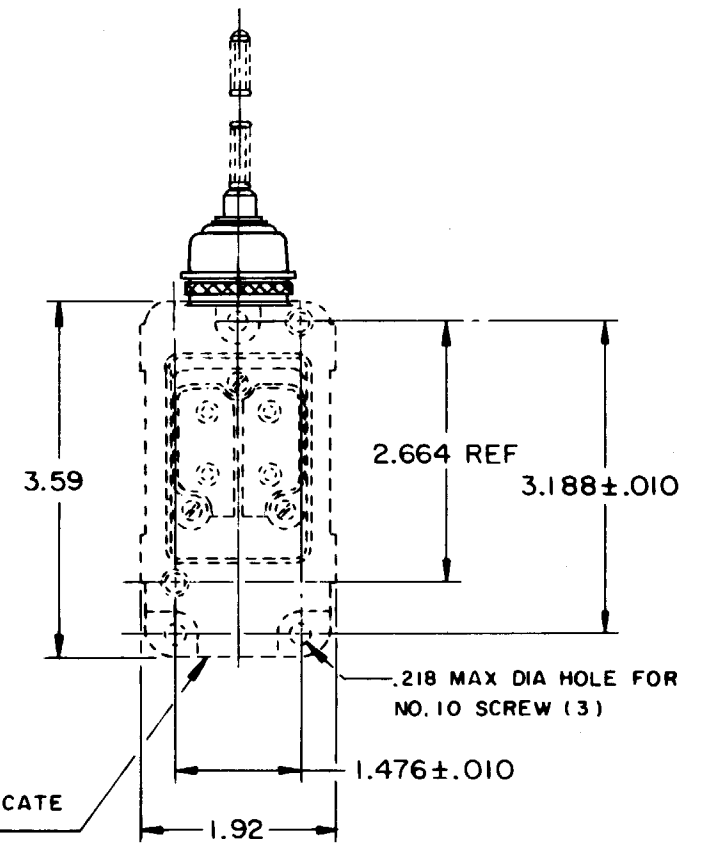
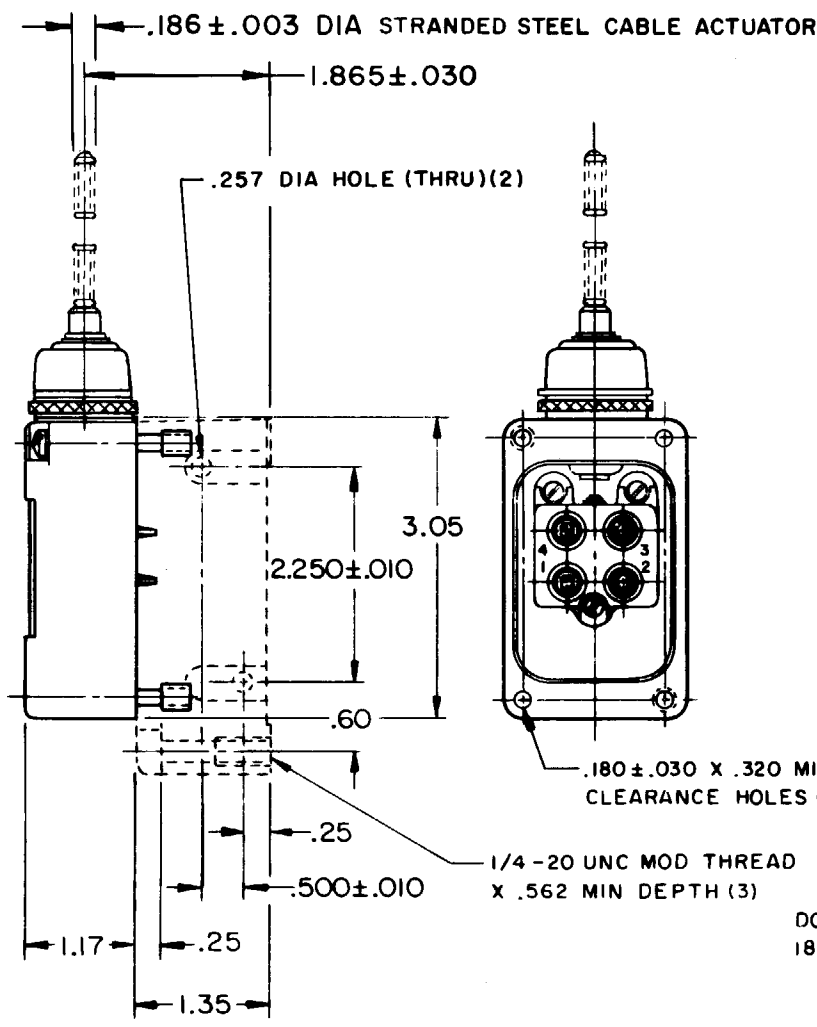
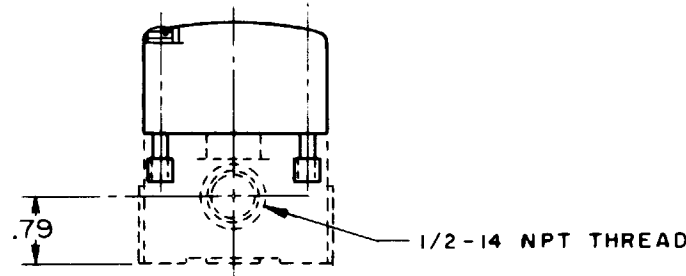
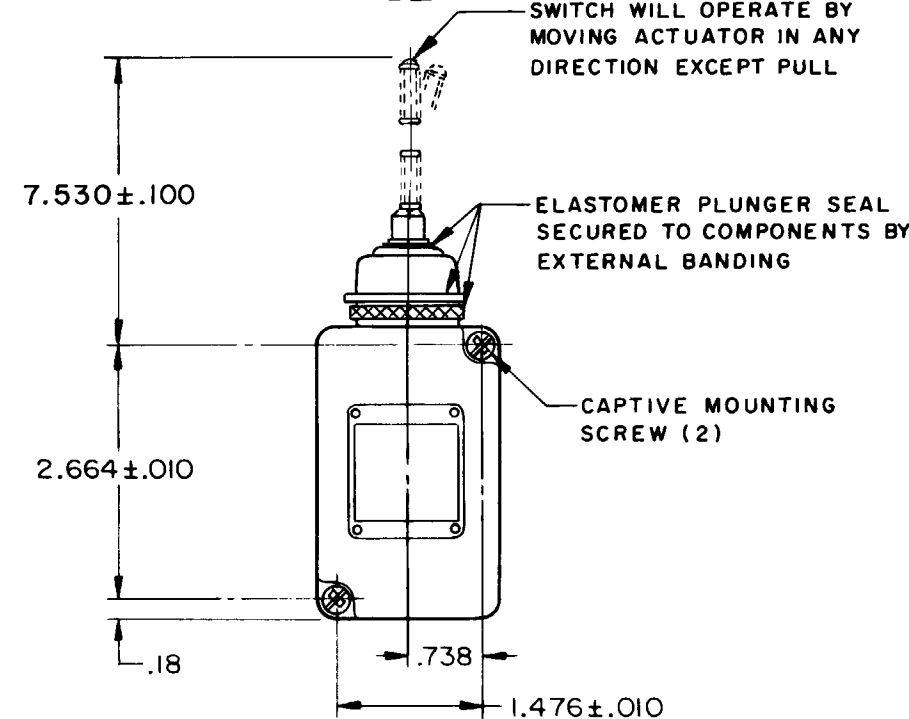
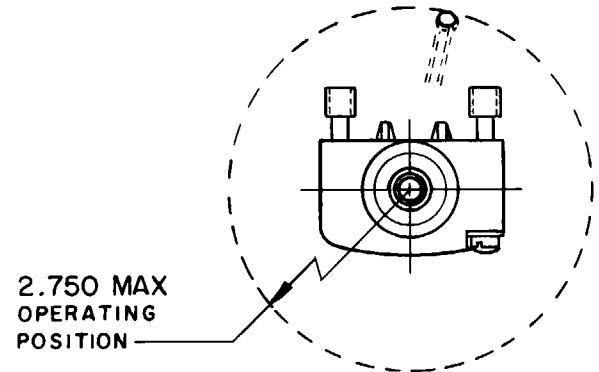
DEC 67

DEC 67

DEC 67

DEC 67

DEC 67



THIS DRAWING COVERS A PROPRIETARY ITEM AND IS THE PROPERTY OF MICRO SWITCH, A DIVISION OF MINNEAPOLIS-HONEYWELL REGULATOR CO. THIS DRAWING IS NOT TO BE COPIED OR USED WITHOUT THE APPROVAL OF MICRO SWITCH.

CHARACTERISTICS	ELECTRICAL DATA	SCALE 1/2 TO 1
OPERATING FORCE-----3.5 OZ MAX	CONTACT ARRANGEMENT (SEE CIRCUIT DIAGRAM)	DO NOT SCALE PRINT
FORCE AT 2.0-----10 OZ MAX	10A-120, 240, OR 480 VAC, 1/4 HP - 120 VAC 1/2 HP - 240 VAC; 0.8A - 115 VDC; 0.4A - 230 VDC .1A - 550 VDC PILOT DUTY: 600 VAC MAX	UNLESS OTHERWISE NOTED DIMENSIONS ARE IN INCHES TOLERANCES ARE: ONE PLACE (.0) ±.030 TWO PLACE (.00) ±.015 THREE PLACE (.000) ±.008 ANGLES ±
SWITCH-BASIC REPLACEMENT-----2MN6		WEIGHT

FORMTEK
 FO-50378-003

DRAWN
 O M W 1 DEC 67

CHECK
 U S D 1 DEC 67

CHECK
 U S D 1 DEC 67

CHECK
 U S D 1 DEC 67

CHECK
 U S D 1 DEC 67

CHECK
 U S D 1 DEC 67

CHECK
 U S D 1 DEC 67

CHECK
 U S D 1 DEC 67

CHECK
 U S D 1 DEC 67

CHECK
 U S D 1 DEC 67

CHECK
 U S D 1 DEC 67

CHECK
 U S D 1 DEC 67

CHECK
 U S D 1 DEC 67

CHECK
 U S D 1 DEC 67

CHECK
 U S D 1 DEC 67

CHECK
 U S D 1 DEC 67

CHECK
 U S D 1 DEC 67