

ELECTRICAL DATA

L191	15A 125, 250, 277 VAC	A,B,D,E,F,G,H,J,K,L,M,N,P	INT20-1	ON	OFF	ON
	1/2HP 125 VAC			OFF	NONE	ON
	1HP 250, 277 VAC			ON	NONE	ON
	5A 125 VAC "L"			NONE	OFF	ON
				NONE	ON	ON
L192	10A 125, 250, 277 VAC	E,F,K,L,M,N	INT20-5	MOM OFF	NONE	ON
	1/4HP 125 VAC,			MOM ON	OFF	ON
	1/2HP 250, 277 VAC			MOM ON	OFF	MOM ON
	3A 125 VAC "L"			MOM ON	NONE	ON
				NONE	ON	MOM ON
				MOM ON	OFF	NONE

AVAILABLE LOCKING COMBINATIONS FOR CONFIGURATION SEE LETTERED DETAILS	CATALOG LISTING	CIRCUIT MADE WITH TOGGLE LEVER IN		
		KEYWAY SIDE (1-2)	CENTER (1-2)	OPPOSITE KEYWAY (2-3)
A,B,D,E,F,G,H,J,K,L,M,N,P	INT20-1	ON	OFF	ON
D,F,G	INT20-2	OFF	NONE	ON
D,F,G	INT20-3	ON	NONE	ON
E,F,K,M	INT20-21	NONE	OFF	ON
E,F,K,M	INT20-31	NONE	ON	ON
F	INT20-4	MOM OFF	NONE	ON
E,F,K,L,M,N	INT20-5	MOM ON	OFF	ON
F	INT20-6	MOM ON	NONE	OFF
E,L,N	INT20-7	MOM ON	OFF	MOM ON
F	INT20-8	MOM ON	NONE	ON
E	INT20-51	NONE	ON	MOM ON
E	INT20-61	MOM ON	OFF	NONE

"A" LOCKED IN THREE POSITIONS	"B" LOCKED IN CENTER AND EXTREME POS. (KEYWAY SIDE)	"D" LOCKED OUT OF CENTER POSITION	"E" LOCKED IN CENTER POSITION	"F" LOCKED IN EXTREME POS. (OPP. KEYWAY)	"G" LOCKED IN EXTREME POS. (KEYWAY SIDE)
"H" LOCKED OUT OF CENTER AND EXTREME POS. (KEYWAY SIDE)	"J" LOCKED OUT OF CENTER AND EXTREME POS. (OPP. KEYWAY)	"K" LOCKED IN CENTER AND EXTREME POS. (OPP. KEYWAY)	"L" LOCKED OUT OF EXTREME POS. (KEYWAY SIDE)	"M" LOCKED OUT OF AND INTO EXTREME POS. (OPP. KEYWAY)	"N" LOCKED OUT OF EXTREME POS. (OPP. KEYWAY)
"P" LOCKED OUT OF AND INTO EXTREME POS. (KEYWAY SIDE)					

NOTES

- SWITCHES ARE CAPABLE OF WITHSTANDING A TEMPERATURE OF 160° F CONTINUOUSLY AT FULL RATED LOAD
- MICRO SWITCH CATALOG LISTING MARKED ON SIDE OF SWITCH FURNISHED UNASSEMBLED
- SUFFIX LETTER MUST BE ADDED FOR DESIRED TYPE OF TOGGLE LOCKING. SEE CHART FOR AVAILABLE LOCKING COMBINATIONS
- APPLIES ONLY TO "ON" AND "MOMENTARY ON" POSITIONS
- FROM BOTTOM OF KEYWAY TO MAJOR DIA OF 15/32 THREAD
- MATTE BLACK FINISH



THIRD ANGLE PROJECTION

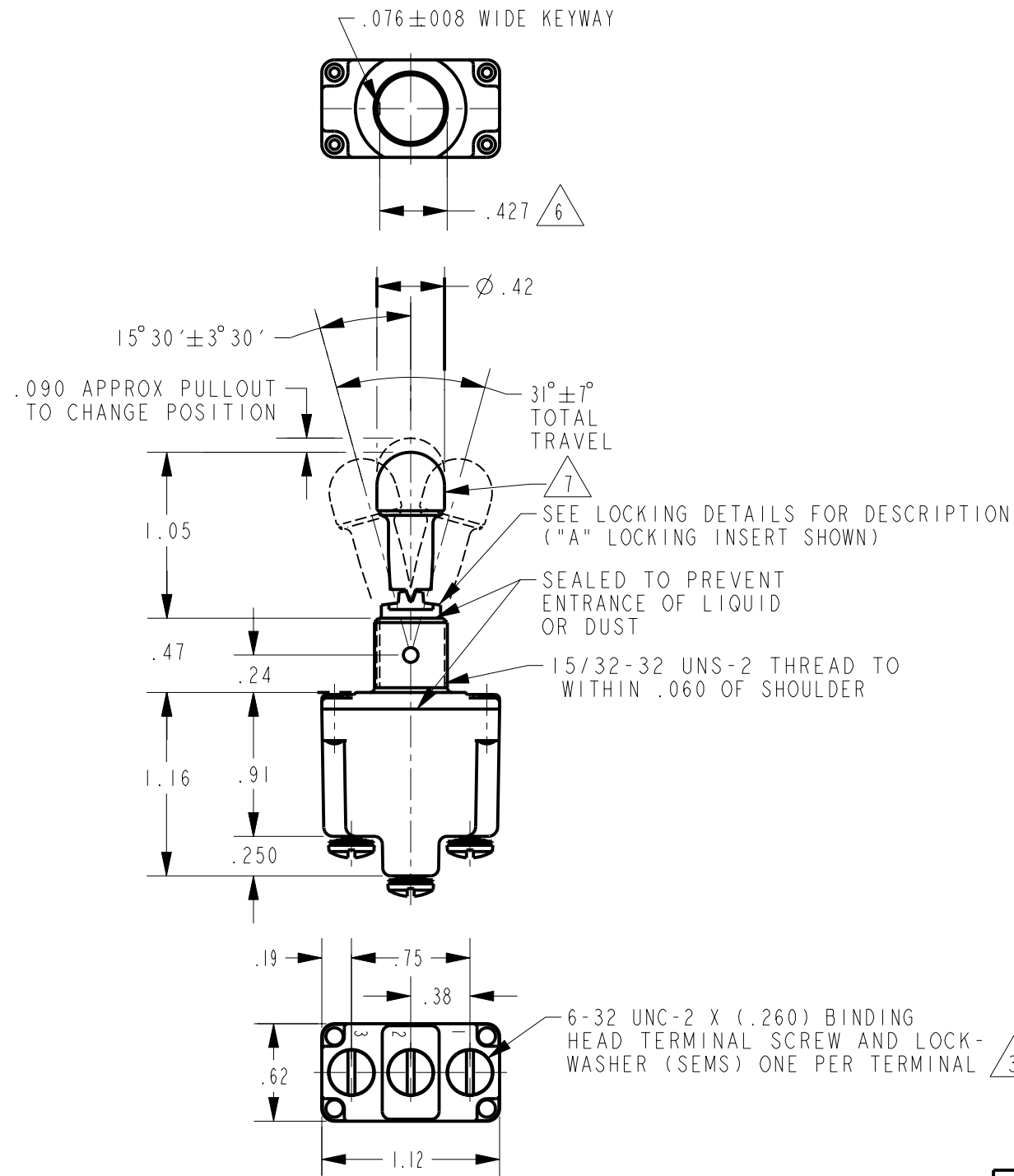
SCALE FULL

DO NOT SCALE PRINT

UNLESS OTHERWISE SPECIFIED TOLERANCES ARE

ONE PLACE (.0)	±.030
TWO PLACE (.00)	±.015
THREE PLACE (.000)	±.005
ANGLES	±

WEIGHT .08 LBS APPROX



ELECTRICAL DATA

L191	15A 125, 250, 277 VAC	CE UL SE	A,B,D,E,F,G,H,J,K,L,M,N,P	INT20-1	ON	OFF	ON
	1/2HP 125 VAC		D,F,G	INT20-2	OFF	NONE	ON
	1HP 250, 277 VAC		D,F,G	INT20-3	ON	NONE	ON
	5A 125 VAC "L"		E,F,K,M	INT20-21	NONE	OFF	ON
			E,F,K,M	INT20-31	NONE	ON	ON
L192	10A 125, 250, 277 VAC	CE UL SE	F	INT20-4	MOM OFF	NONE	ON
			E,F,K,L,M,N	INT20-5	MOM ON	OFF	ON
			F	INT20-6	MOM ON	NONE	OFF
	1/2HP 250, 277 VAC	CE UL SE	E,L,N	INT20-7	MOM ON	OFF	MOM ON
			F	INT20-8	MOM ON	NONE	ON
			E	INT20-51	NONE	ON	MOM ON
	3A 125 VAC "L"	E	INT20-61	MOM ON	OFF	NONE	

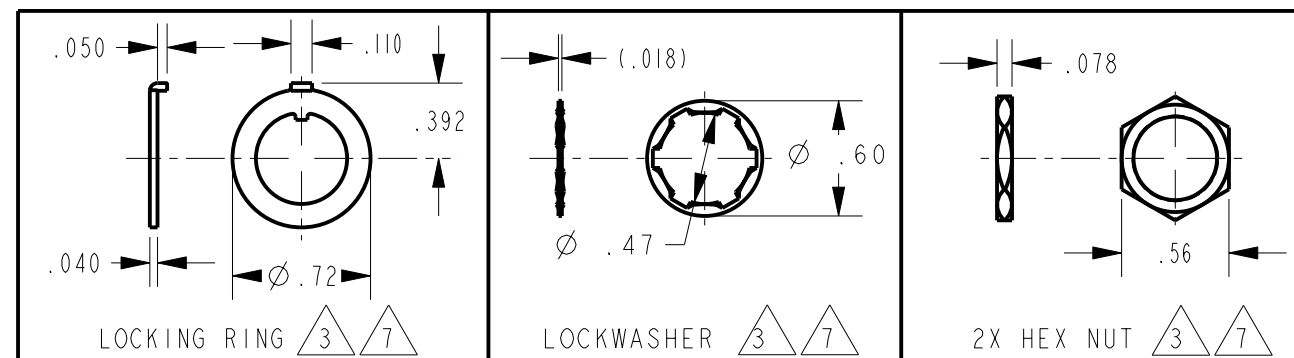
AVAILABLE LOCKING COMBINATIONS FOR CONFIGURATION SEE LETTERED DETAILS	CATALOG LISTING	CIRCUIT MADE WITH TOGGLE LEVER IN		
		KEYWAY SIDE (1-2)	CENTER (1-2)	OPPOSITE KEYWAY (2-3)
A,B,D,E,F,G,H,J,K,L,M,N,P	INT20-1	ON	OFF	ON
D,F,G	INT20-2	OFF	NONE	ON
D,F,G	INT20-3	ON	NONE	ON
E,F,K,M	INT20-21	NONE	OFF	ON
E,F,K,M	INT20-31	NONE	ON	ON
F	INT20-4	MOM OFF	NONE	ON
E,F,K,L,M,N	INT20-5	MOM ON	OFF	ON
F	INT20-6	MOM ON	NONE	OFF
E,L,N	INT20-7	MOM ON	OFF	MOM ON
F	INT20-8	MOM ON	NONE	ON
E	INT20-51	NONE	ON	MOM ON
E	INT20-61	MOM ON	OFF	NONE

"A" LOCKED IN THREE POSITIONS	"B" LOCKED IN CENTER AND EXTREME POS. (KEYWAY SIDE)	"D" LOCKED OUT OF CENTER POSITION	"E" LOCKED IN CENTER POSITION	"F" LOCKED IN EXTREME POS. (OPP. KEYWAY)	"G" LOCKED IN EXTREME POS. (KEYWAY SIDE)
"H" LOCKED OUT OF CENTER AND EXTREME POS. (KEYWAY SIDE)	"J" LOCKED OUT OF CENTER AND EXTREME POS. (OPP. KEYWAY)	"K" LOCKED IN CENTER AND EXTREME POS. (OPP. KEYWAY)	"L" LOCKED OUT OF EXTREME POS. (KEYWAY SIDE)	"M" LOCKED OUT OF AND INTO EXTREME POS. (OPP. KEYWAY)	"N" LOCKED OUT OF EXTREME POS. (OPP. KEYWAY)
"P" LOCKED OUT OF AND INTO EXTREME POS. (KEYWAY SIDE)					

NOTES

- SWITCHES ARE CAPABLE OF WITHSTANDING A TEMPERATURE OF 160° F CONTINUOUSLY AT FULL RATED LOAD
- MICRO SWITCH CATALOG LISTING MARKED ON SIDE OF SWITCH FURNISHED UNASSEMBLED
- SUFFIX LETTER MUST BE ADDED FOR DESIRED TYPE OF TOGGLE LOCKING. SEE CHART FOR AVAILABLE LOCKING COMBINATIONS
- APPLIES ONLY TO "ON" AND "MOMENTARY ON" POSITIONS
- FROM BOTTOM OF KEYWAY TO MAJOR DIA OF 15/32 THREAD
- MATTE BLACK FINISH

ANSI Y14.5M-1982 APPLIES



THIRD ANGLE PROJECTION	
SCALE	FULL
DO NOT SCALE PRINT	
UNLESS OTHERWISE SPECIFIED TOLERANCES ARE	
ONE PLACE	(.0) ±.030
TWO PLACE	(.00) ±.015
THREE PLACE	(.000) ±.005
ANGLES	±
WEIGHT	.08 LBS APPROX