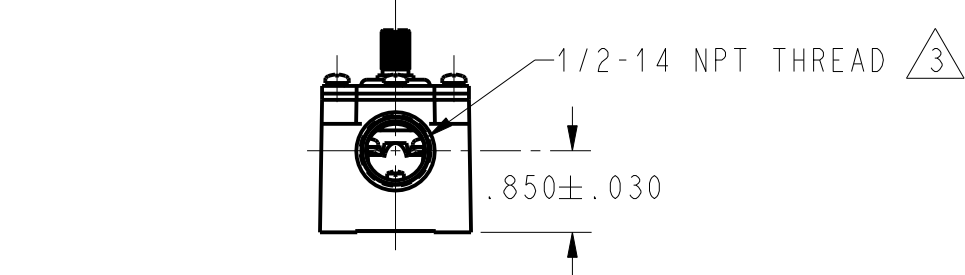
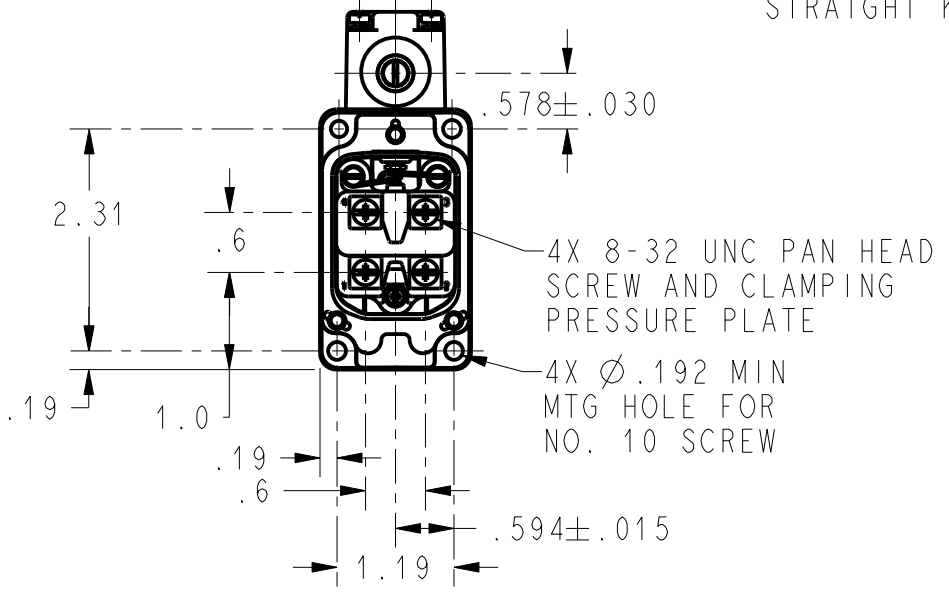
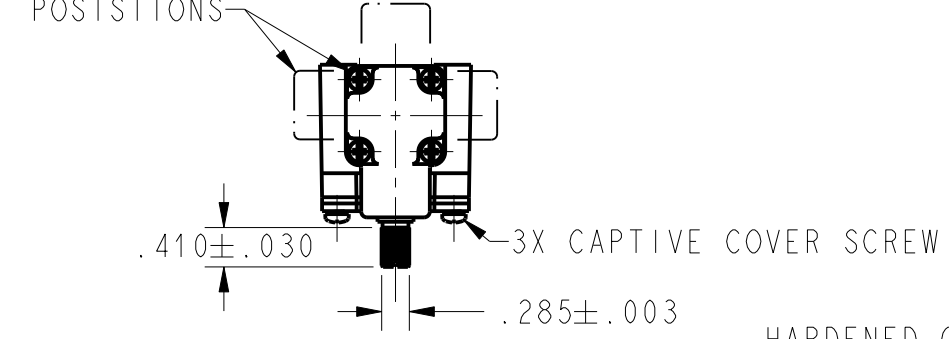
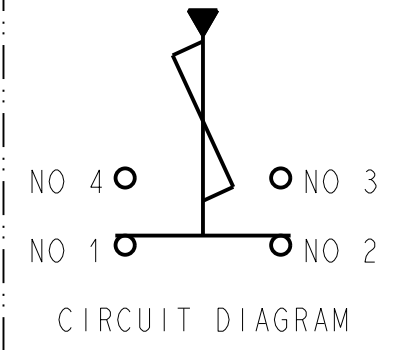
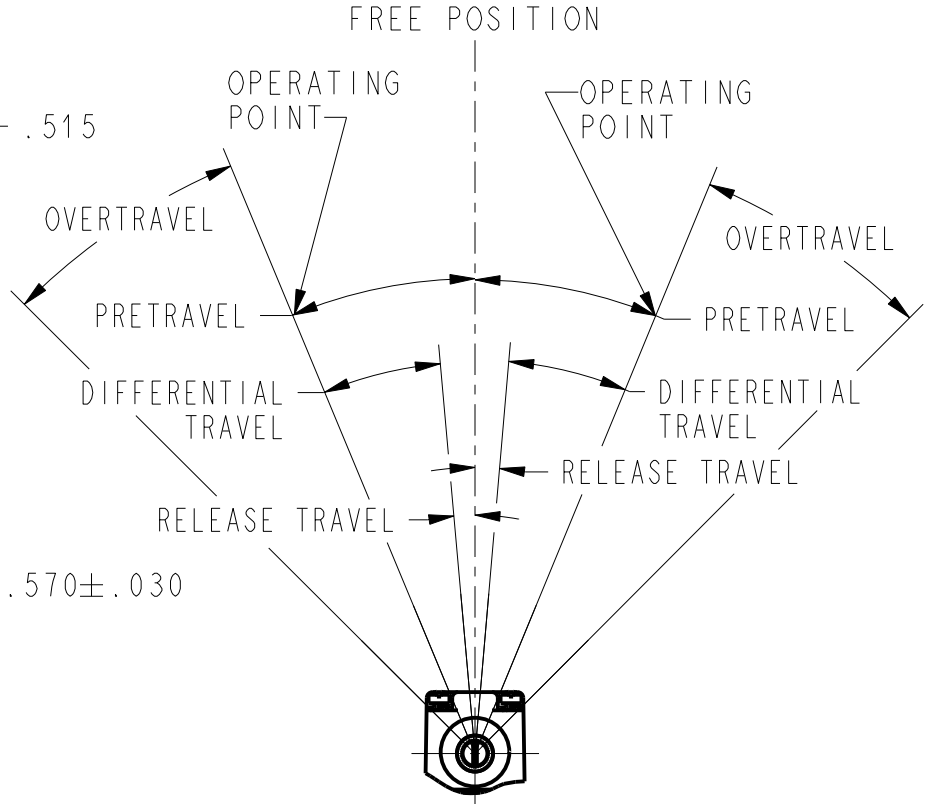
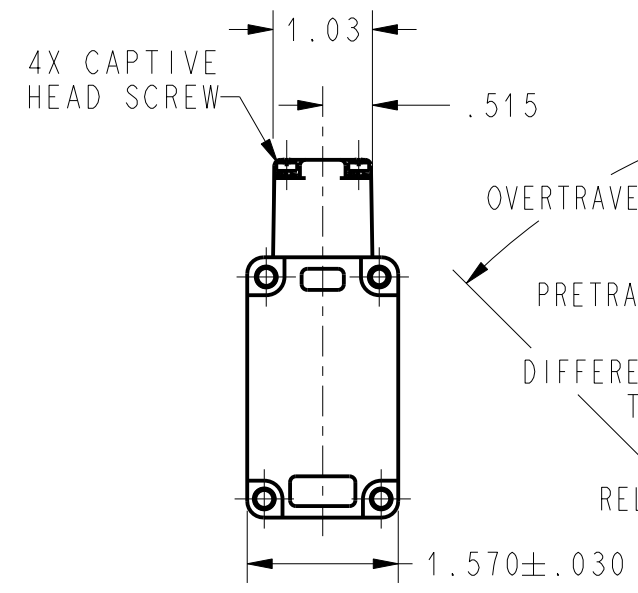
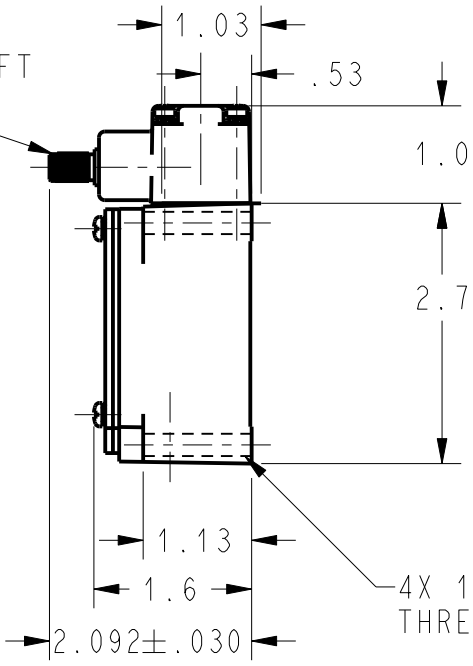


REV	DOCUMENT	CHANGED BY	CHECK
2	0006173	DVM 22JUN04	AK

OPERATING HEAD MOUNTS IN ANY OF FOUR POSITIONS



HARDENED CORROSION RESISTANCE STEEL SHAFT STRAIGHT KNURL



NOTES:

- SWITCH IS ASSEMBLED FOR ACTUATION IN EITHER DIRECTION BUT MAY BE ADJUSTED TO ACTUATE THE SWITCH IN CLOCKWISE DIRECTION ONLY, THE COUNTERCLOCKWISE DIRECTION ONLY, OR IN BOTH DIRECTIONS
 - TO CONVERT SWITCH FOR ACTUATION IN EITHER THE CLOCKWISE OR COUNTERCLOCKWISE DIRECTION ONLY, REMOVE ACTUATOR HEAD AND ROTATE THE NOTCHED PLUNGER 90° TO THE RIGHT FOR CLOCKWISE ACTUATION OR 90° TO THE LEFT FOR COUNTERCLOCKWISE ACTUATION
- 3 SEAL TO BE FURNISHED BY USER

CHARACTERISTICS OPERATING TORQUE-----4 1/2 IN LB MAX FULL OVERTRAVEL TORQUE-----6 IN LB MAX RELEASE TORQUE-----3/4 IN LB MIN PRETRAVEL -----5° MIN OVERTRAVEL-----30° MIN RELEASE TRAVEL-----0°30' MIN SWITCH-BASIC REPLACEMENT-----2MN8		ELECTRICAL DATA CONTACT ARRANGEMENT (SEE CIRCUIT DIAGRAM) 10A-120, 240 OR 480 VAC 1/4 HP - 120 VAC; 1/2 HP - 240 VAC PILOT DUTY: 600 VAC MAX		UNLESS OTHERWISE SPECIFIED TOLERANCES ARE: <input checked="" type="checkbox"/> US (inch) CUSTOMARY <input type="checkbox"/> SI (mm) METRIC NO PLACE X ±.040 ±1 ONE PLACE .X ±.030 ±0,4 TWO PLACE .XX ±.015 ±0,15 THREE PLACE .XXX ±.005 ± ANGLES ± ± RAW MATERIAL-COMMERCIAL STANDARD		DRAWN MAM 18JUN04 CHECK 18JUN04 THIS DRAWING COVERS A PROPRIETARY ITEM AND IS THE PROPERTY OF HONEYWELL. THIS DRAWING IS NOT TO BE COPIED OR USED WITHOUT THE PERMISSION OF HONEYWELL.		Honeywell TITLE SWITCH, ENCLOSED		
		THIRD ANGLE PROJECTION 		DIMENSIONS ARE TO BE MET BEFORE PROTECTIVE COATINGS ARE APPLIED		SIZE DWG TYPE DRAWING NAME REV B I 1LS91 2				
				PTC 3D ASME Y14.5M-1994		SCALE 1/2 TO 1 WEIGHT SHEET 1 OF 1				