



# HONEYWELL

## 1LS9-L

*See full Datasheet below...*

**onlinecomponents.com**

THE ONLINE DISTRIBUTOR OF ELECTRONIC COMPONENTS

**BUY NOW**



**MASTER**<sup>TM</sup>  
ELECTRONICS

**BUY NOW**

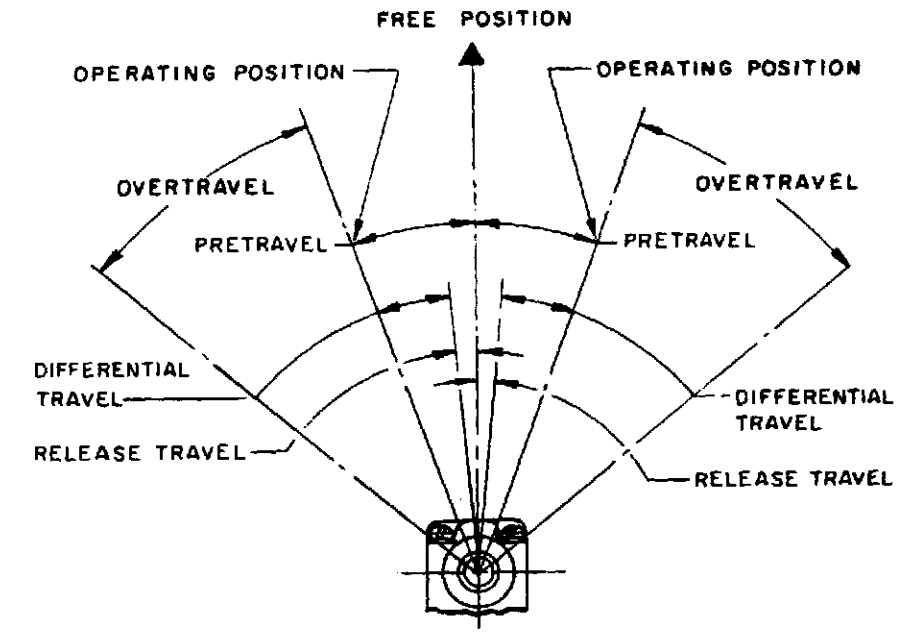
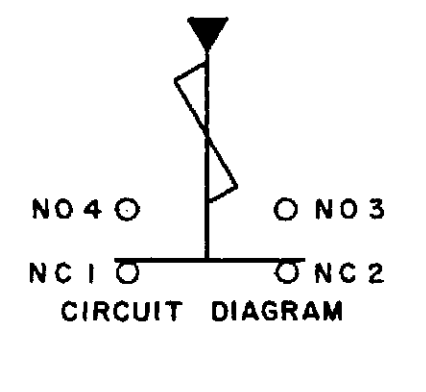
masterelectronics.com & onlinecomponents.com  
are **authorized** e-commerce distributors  
of electronic components.

**MICRO SWITCH**  
a Honeywell Division

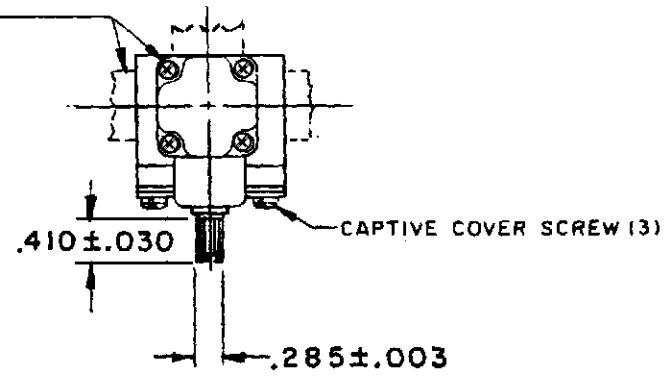
FED. MFG. CODE 91929

**SWITCH-ENCLOSED**

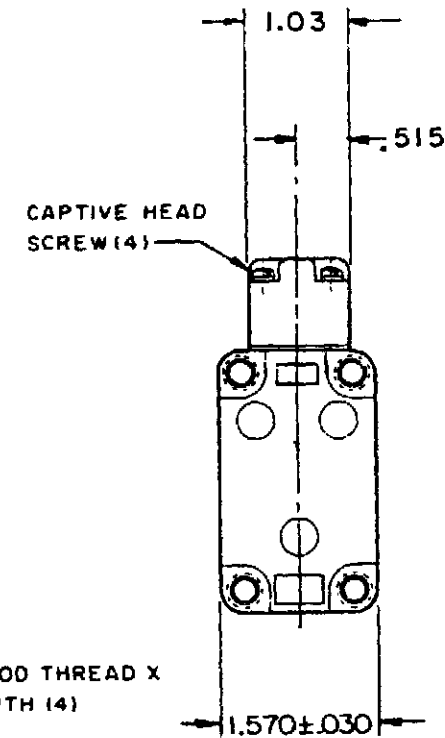
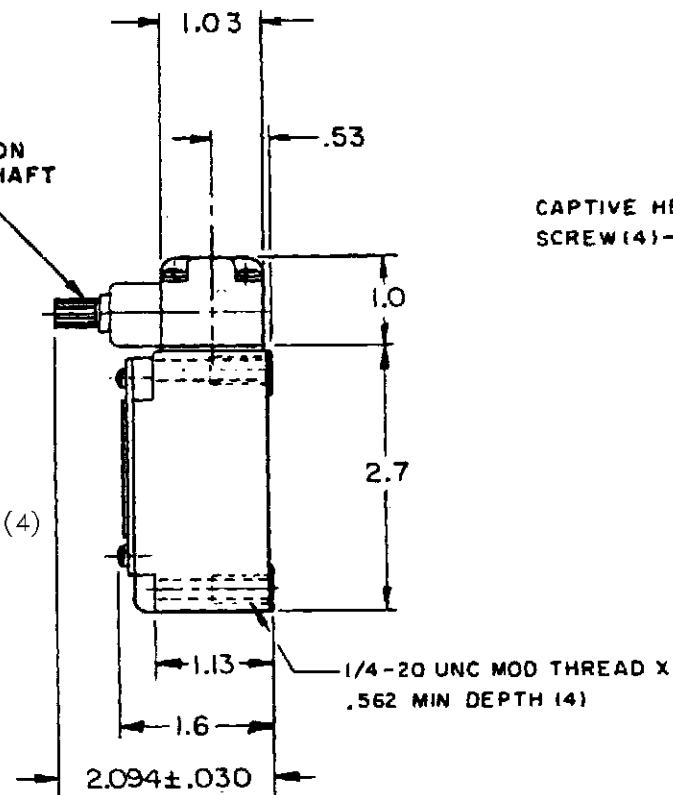
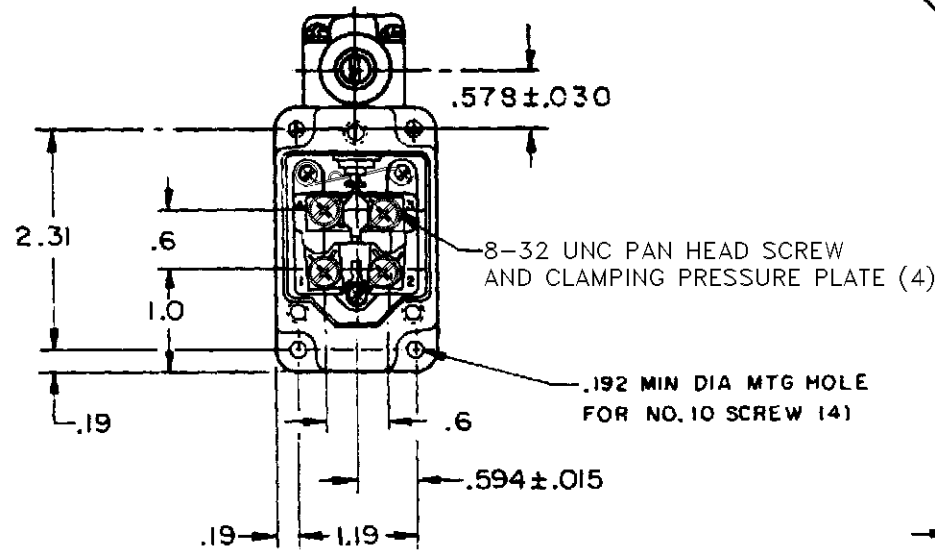
CATALOG LISTING  
**1LS9-L**



OPERATING HEAD MOUNTS  
IN ANY OF FOUR  
POSITIONS



HARDENED CORROSION  
RESISTANT STEEL SHAFT  
STRAIGHT KNURL



CATALOG LISTING  
 1LS9-L  
 PAGE 1 OF 1  
 REVISIONS  
 A CO-76997 GJW 30 MAR 95  
 CHECK  
 15 APR 90  
 CHECK  
 G.P. 7  
 16 APR 90  
 CHECK  
 DRAWN  
 FORMTEK

**NOTES**

- SWITCH IS ASSEMBLED FOR ACTUATION IN EITHER DIRECTION BUT MAY BE ADJUSTED TO ACTUATE THE SWITCH IN THE CLOCKWISE DIRECTION ONLY, THE COUNTERCLOCKWISE DIRECTION ONLY, OR IN BOTH DIRECTIONS
  - TO CONVERT SWITCH FOR ACTUATION IN EITHER THE CLOCKWISE OR COUNTERCLOCKWISE DIRECTION ONLY, REMOVE ACTUATOR HEAD AND ROTATE THE NOTCHED PLUNGER 90° TO THE RIGHT FOR CLOCKWISE ACTUATION OR 90° TO THE LEFT FOR COUNTERCLOCKWISE ACTUATION
- ③ SEAL TO BE FURNISHED BY USER

THIS DRAWING COVERS A PROPRIETARY ITEM AND IS THE PROPERTY OF MICRO SWITCH, A DIVISION OF HONEYWELL. THIS DRAWING IS NOT TO BE COPIED OR USED WITHOUT THE APPROVAL OF MICRO SWITCH

CHARACTERISTICS	ELECTRICAL DATA
OPERATING TORQUE --- 4 1/2 IN LB MAX	CONTACT ARRANGEMENT (SEE CIRCUIT DIAGRAM)
FULL OVERTRAVEL TORQUE -- 6 IN LB MAX	L127
RELEASE TORQUE - - - - - 3/4 IN LB MIN	10A 125, 250 OR 480 VAC
PRETRAVEL - - - - - 5° MAX	1/4HP 125 VAC, 1/2HP 250 VAC
OVERTRAVEL - - - - - 30° MIN	
RELEASE TRAVEL - - - - - 0°30' MIN	
SWITCH-BASIC REPLACEMENT - - - 2MN8-L	

THIRD ANGLE PROJECTION	
SCALE	1/2 : 1
DO NOT SCALE PRINT	
UNLESS OTHERWISE SPECIFIED TOLERANCES ARE	
ONE PLACE	(.0) ±.030
TWO PLACE	(.00) ±.015
THREE PLACE	(.000) ±.005
ANGLES	±
WEIGHT	

