

H MICRO SWITCH
 FREEPORT, ILLINOIS, U.S.A.
 A DIVISION OF HONEYWELL

FED. MFG. CODE 91929

SWITCH - ENCLOSED

CATALOG LISTING
1LS6

CATALOG LISTING
1LS6
 PAGE 1 OF 1

M

DRAWING NUMBER

ISSUE **18**

REVISIONS

A CO-95463-B
 DLT
 7 SEP 99
 B ECO-200178
 CSL
 5 APR 00

CHECK

CHECK

CHECK

CHECK

CHECK

CHECK

CHECK

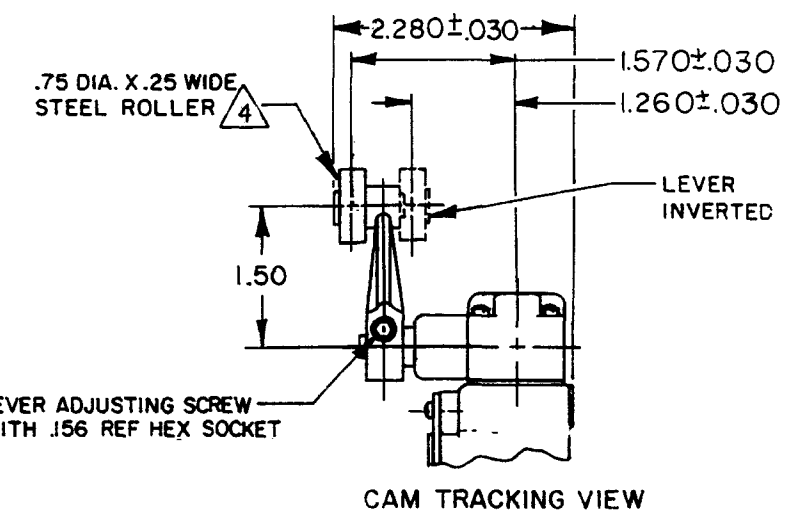
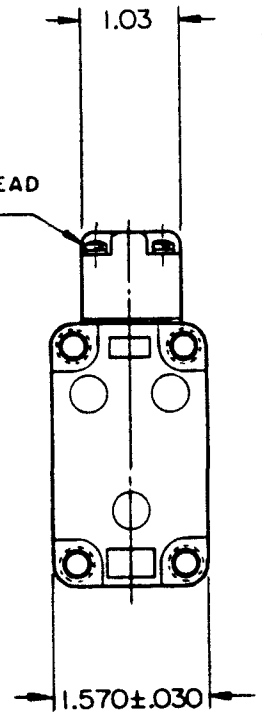
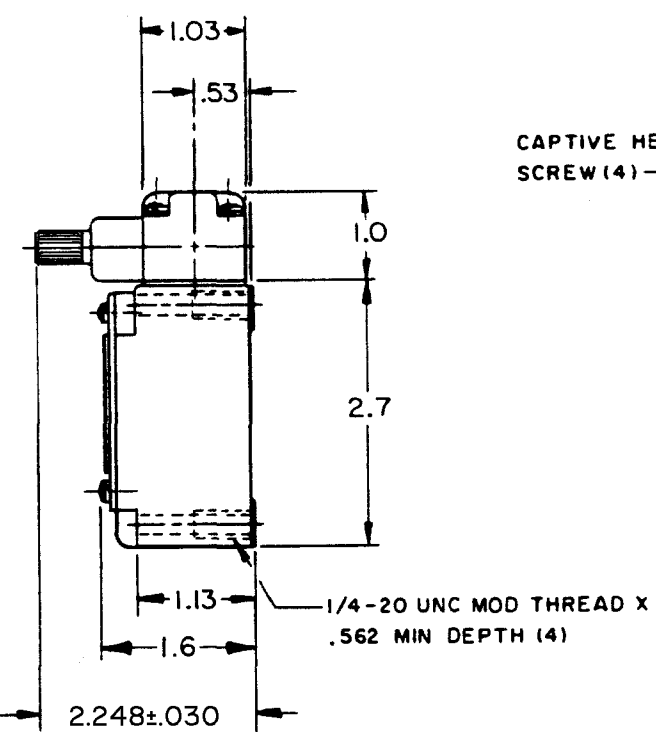
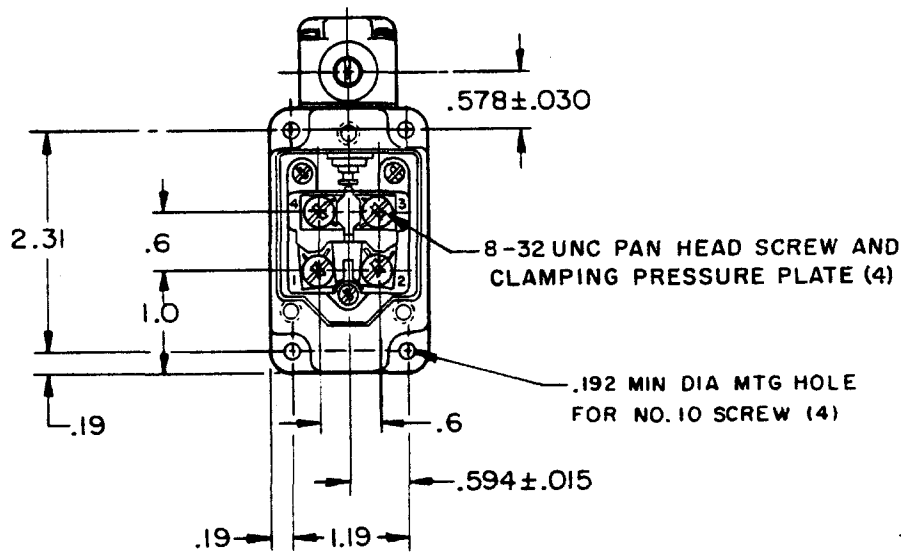
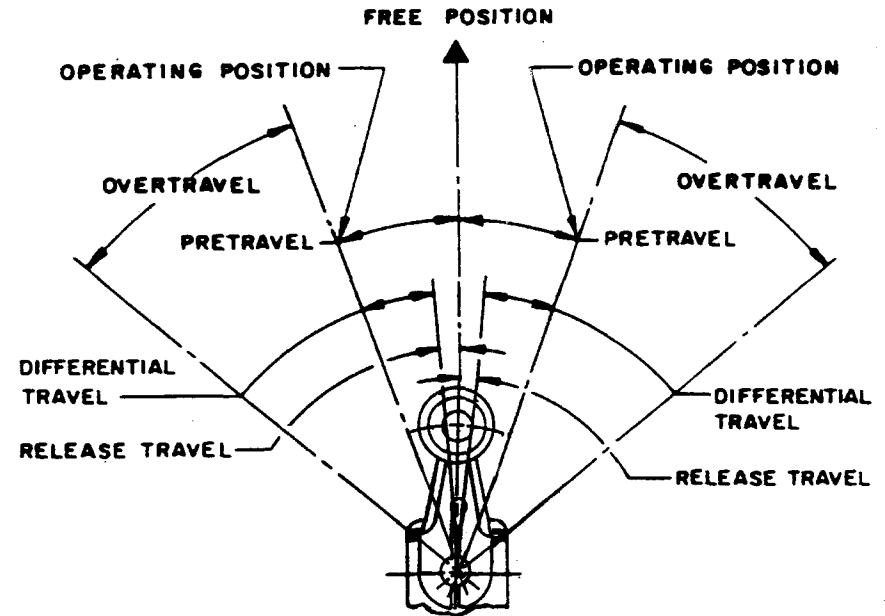
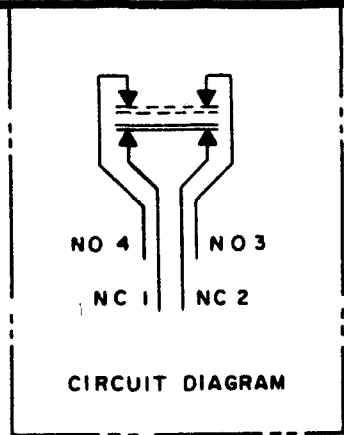
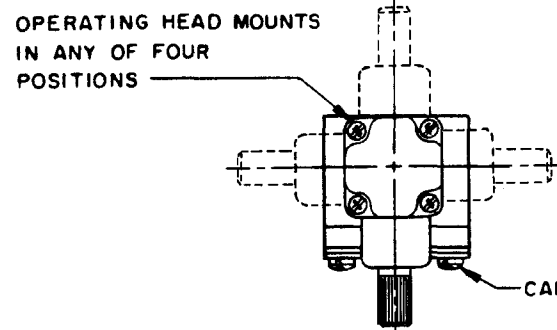
CHECK

CHECK

CHECK

CHECK

CHECK



THIS DRAWING COVERS A PROPRIETARY ITEM AND IS THE PROPERTY OF MICRO SWITCH, A DIVISION OF MINNEAPOLIS-HONEYWELL REGULATOR CO. THIS DRAWING IS NOT TO BE COPIED OR USED WITHOUT THE APPROVAL OF MICRO SWITCH.

CHARACTERISTICS	ELECTRICAL DATA	SCALE 1/2 TO 1
OPERATING TORQUE ----- 27 IN-OZ MAX	CONTACT ARRANGEMENT (SEE CIRCUIT DIAGRAM)	DO NOT SCALE PRINT
FULL OVERTRAVEL TORQUE --- 36 IN-OZ MAX	10A-120, 240, OR 480 VAC, 1/3 HP - 120 VAC	UNLESS OTHERWISE NOTED
RELEASE TORQUE ----- 4.5 IN-OZ MIN	3/4 HP - 240 VAC; 0.8A - 115 VDC; 0.4A - 230 VDC	DIMENSIONS ARE IN INCHES
PRETRAVEL ----- 20° MAX	.1A - 550 VDC	TOLERANCES ARE:
DIFFERENTIAL TRAVEL ----- 12° MAX	2.0/1 DUTY, 600 VAC MAX	ONE PLACE (.0) ±.030
OVERTRAVEL ----- 30° MIN		TWO PLACE (.00) ±.015
RELEASE TRAVEL ----- 5° MIN		THREE PLACE (.000) ±.008
SWITCH-BASIC REPLACEMENT ----- 2 MNI		ANGLES ±
		WEIGHT

- NOTES
- 1- SWITCH IS ASSEMBLED FOR ACTUATION IN BOTH DIRECTIONS BUT MAY BE ADJUSTED TO ACTUATE IN EITHER THE CLOCKWISE DIRECTION ONLY OR THE COUNTERCLOCKWISE DIRECTION ONLY
 - 2- TO CONVERT SWITCH FOR ACTUATION IN EITHER THE CLOCKWISE OR COUNTERCLOCKWISE DIRECTION ONLY, REMOVE ACTUATOR HEAD AND ROTATE THE NOTCHED PLUNGER 90° TO THE RIGHT FOR CLOCKWISE ACTUATION OR 90° TO THE LEFT FOR COUNTERCLOCKWISE ACTUATION
 - 3- SEAL TO BE FURNISHED BY USER
 - 4- ROLLER LEVER MAY BE LOCKED IN ANY POSITION THRU 360°
 - 5- LEVER FURNISHED UNASSEMBLED IN UNIT PACKING BOX

FORMTEK
 -80378-003

REPLACES

RELEASE NO.

CHECK

CHECK

CHECK

CHECK

CHECK

CHECK

CHECK

CHECK

CHECK

CHECK

CHECK

CHECK