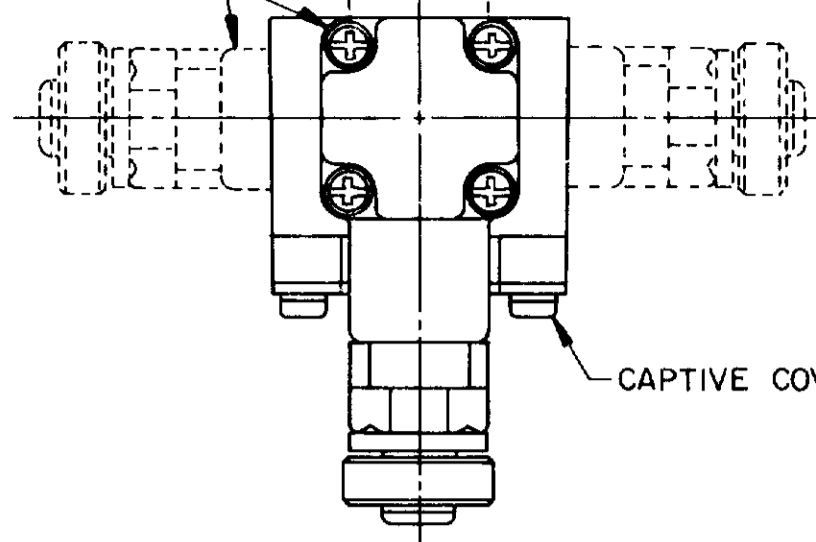
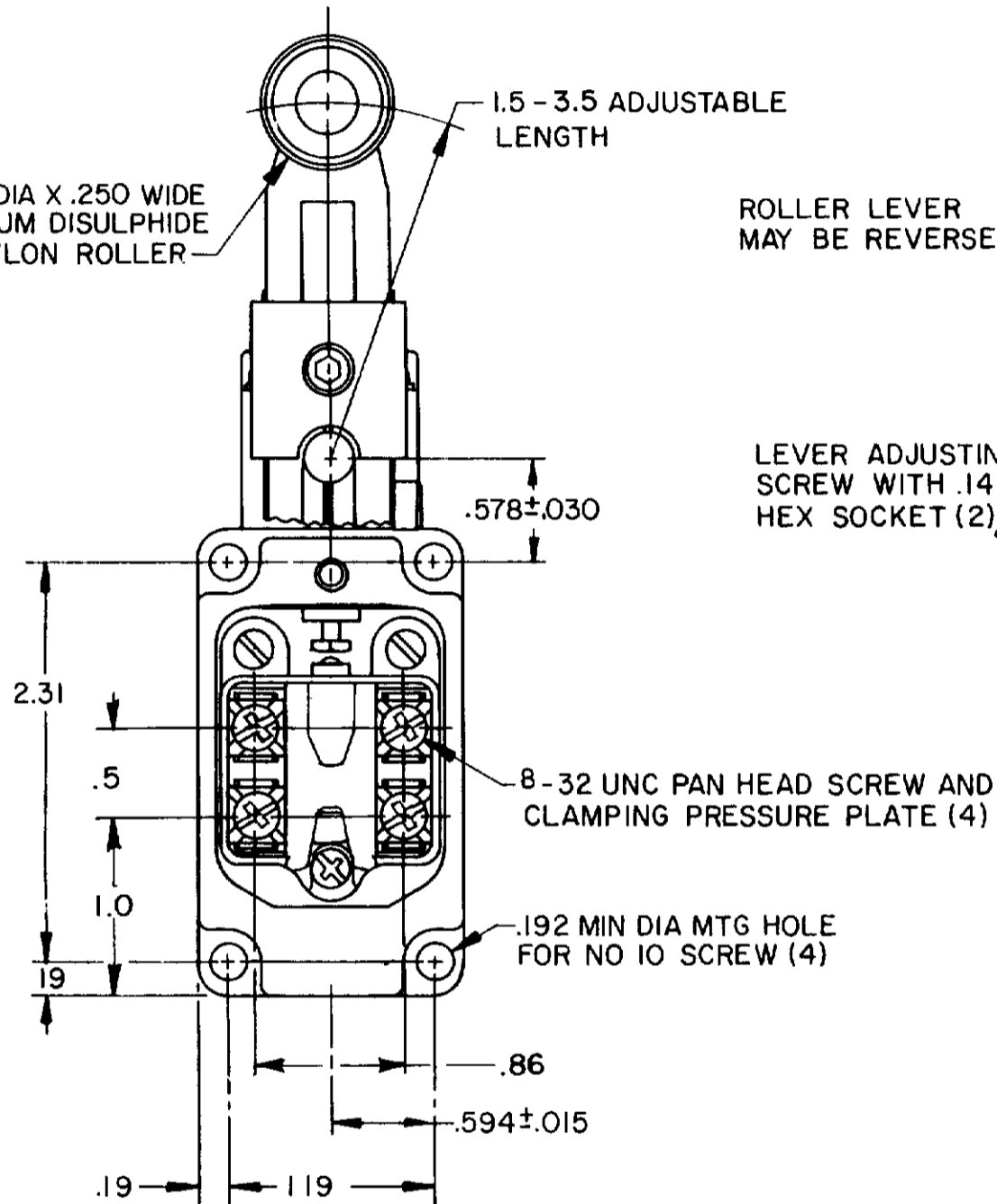


OPERATING HEAD MOUNTS
IN ANY OF FOUR
POSITIONS



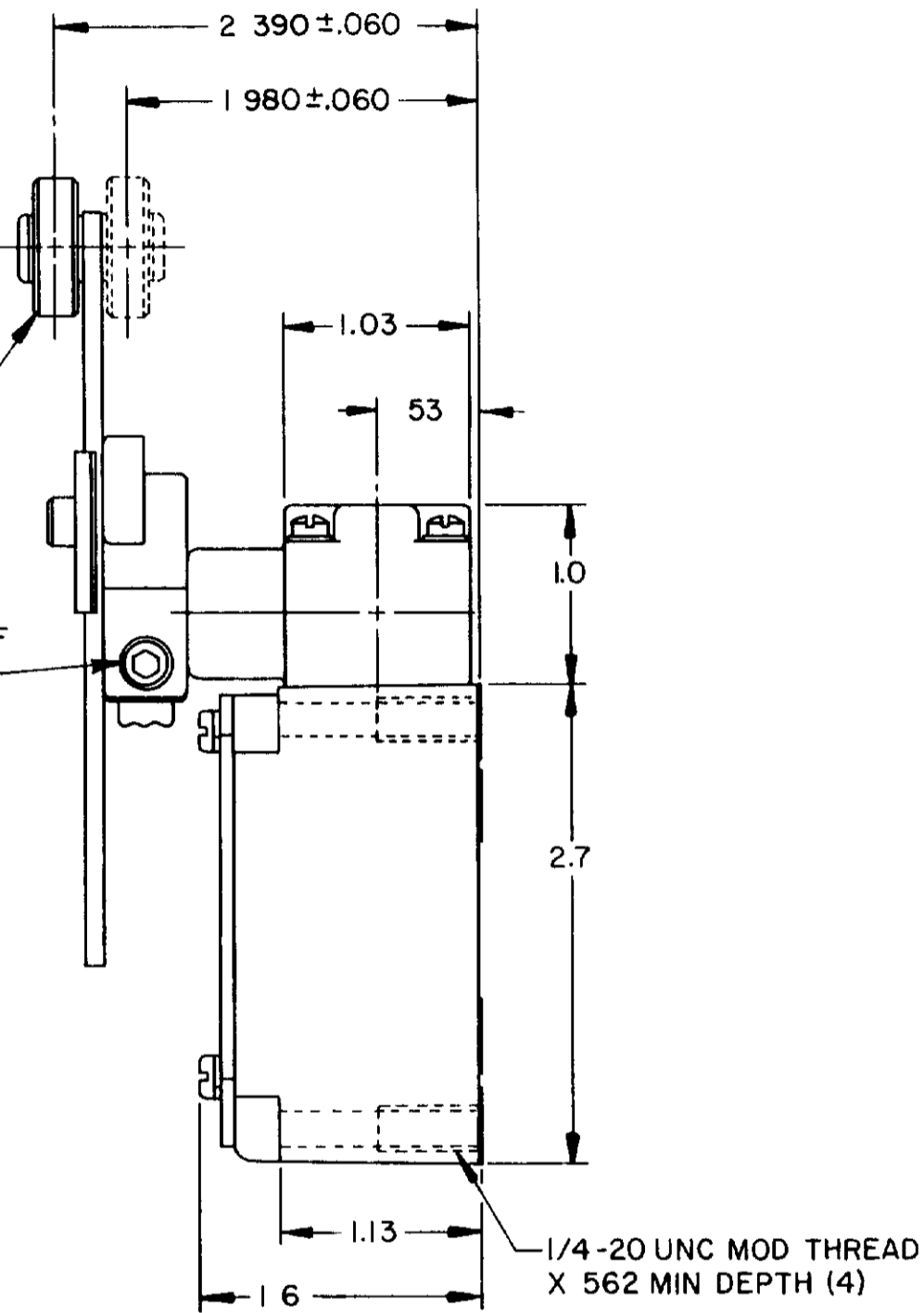
CAPTIVE COVER SCREW (3)

750 ± .030 DIA X .250 WIDE
MOLYBDENUM DISULPHIDE
FILLED NYLON ROLLER

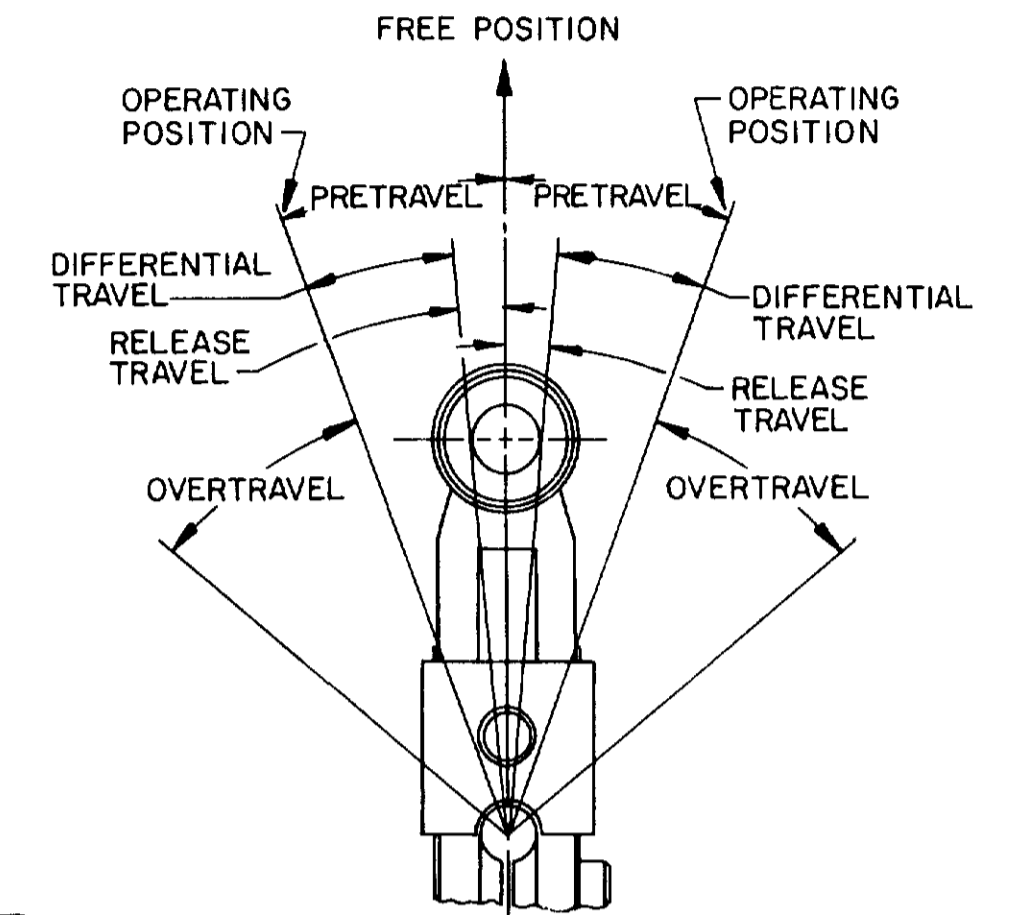
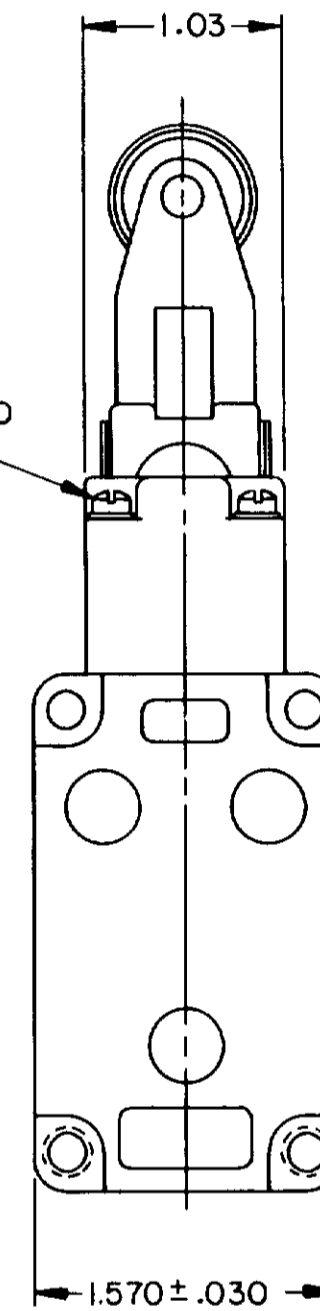


ROLLER LEVER
MAY BE REVERSED

LEVER ADJUSTING
SCREW WITH .141 REF
HEX SOCKET (2) 3

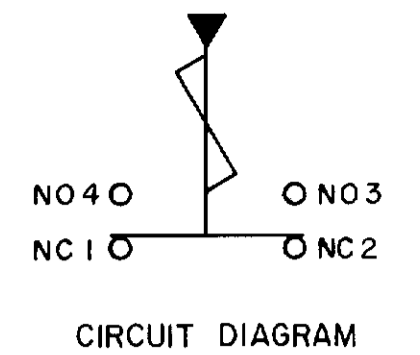


CAPTIVE HEAD
SCREW (4)



CHARACTERISTICS
*OPERATING TORQUE ----- 4.5 IN-LB MAX
*FULL OVERTRAVEL TORQUE -- 6 IN-LB MAX
*RELEASE TORQUE ----- .75 IN-LB MIN
PRETRAVEL ----- 5° MAX
OVERTRAVEL ----- 30° MIN
RELEASE TRAVEL ----- 0° 30' MIN
SWITCH-BASIC REPLACEMENT -- 2MN8

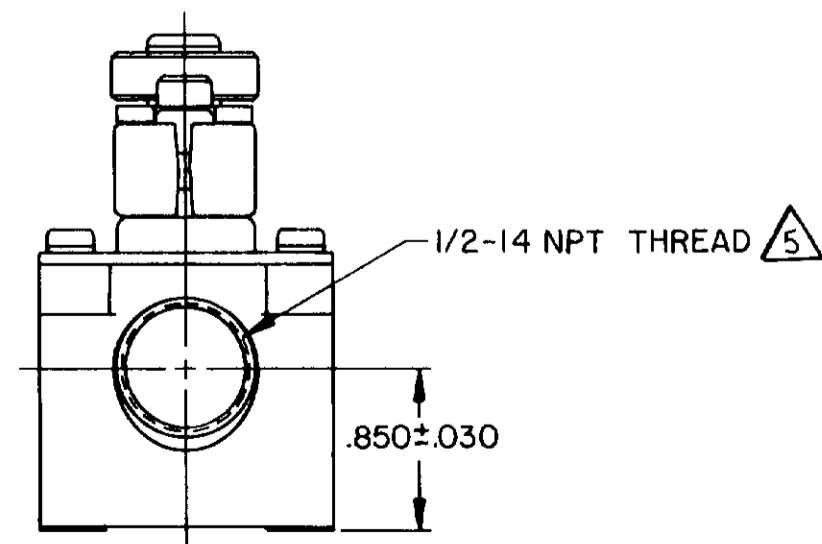
ELECTRICAL DATA
CONTACT ARRANGEMENT (SEE CIRCUIT DIAGRAM)
10A-120, 240 OR 480 VAC
1/4 HP-120 VAC, 1/2 HP-240 VAC
PILOT DUTY: 600 VAC MAX



NOTES

- 1 - SWITCH IS ASSEMBLED FOR ACTUATION IN BOTH DIRECTIONS BUT MAY BE ADJUSTED TO ACTUATE IN THE CLOCKWISE DIRECTION ONLY OR THE COUNTERCLOCKWISE DIRECTION ONLY
- 2 - TO CONVERT SWITCH FOR ACTUATION IN EITHER THE CLOCKWISE OR COUNTERCLOCKWISE DIRECTION ONLY, REMOVE ACTUATOR HEAD AND ROTATE THE NOTCHED PLUNGER 90° TO THE RIGHT FOR CLOCKWISE ACTUATION OR 90° TO THE LEFT FOR COUNTERCLOCKWISE ACTUATION

- 3 ROLLER LEVER MAY BE LOCKED IN ANY POSITION THRU 360°
- 4 LEVER FURNISHED UNASSEMBLED IN UNIT PACKING BOX
- 5 SEAL TO BE FURNISHED BY USER



ILS58
M
X
13
REVISIONS
A 00-60488
T A D
II DEC 86
B 65532
G R T
29 NOV 89
C 17231
JDB
20 DEC 93
D 78093
G J W
17 JAN 95
FO-52863-C
DRAWN
TAD III DEC 86
CHECK
12 86
186

THIS DRAWING COVERS A PROPRIETARY ITEM AND IS THE PROPERTY OF MICRO SWITCH A DIVISION OF HONEYWELL THIS DRAWING IS NOT TO BE COPIED OR USED WITHOUT THE APPROVAL OF MICRO SWITCH

MICRO SWITCH
a Honeywell Division

SWITCH - ENCLOSED

CATALOG LISTING
ILS58

FED MFG CODE 91929

THIRD ANGLE PROJECTION	
SCALE	FULL
DO NOT SCALE PRINT	
UNLESS OTHERWISE SPECIFIED TOLERANCES ARE	
ONE PLACE	(.0) ± .030
TWO PLACE	(.00) ± .015
THREE PLACE	(.000) ± .005
ANGLES	±
WEIGHT	