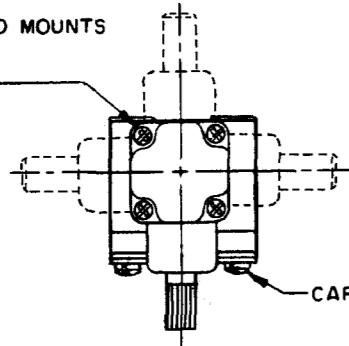
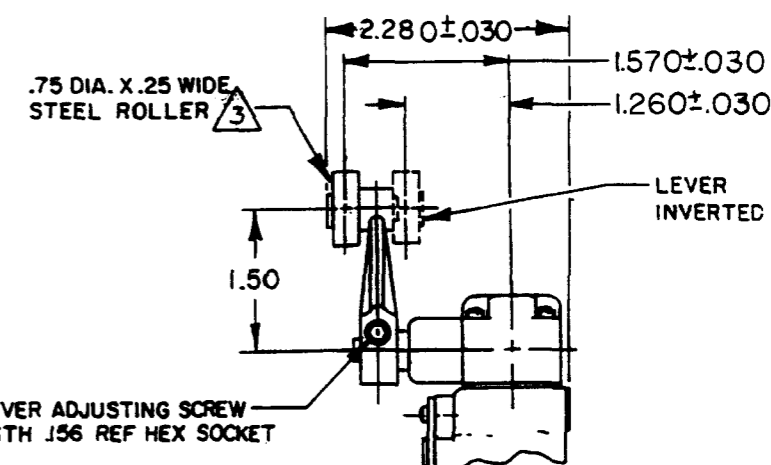
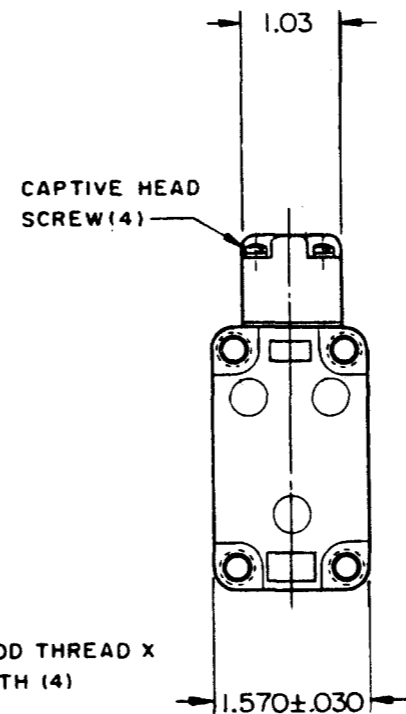
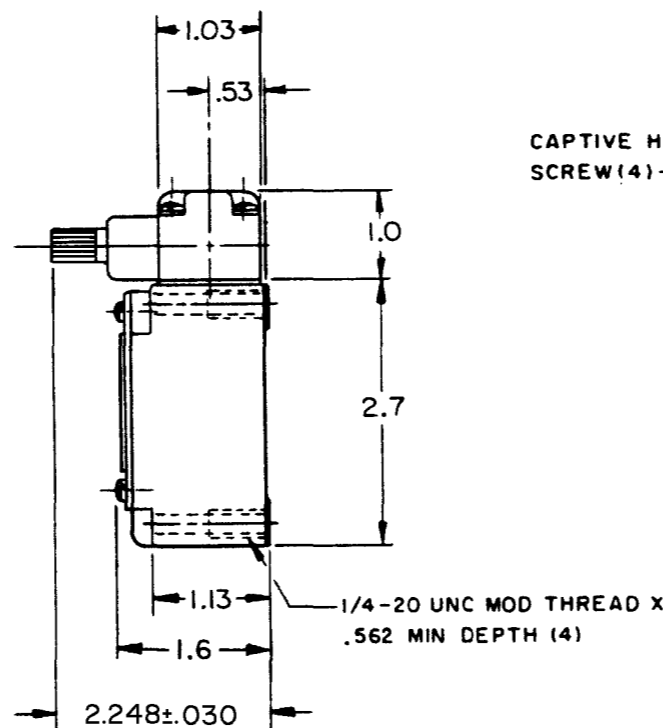
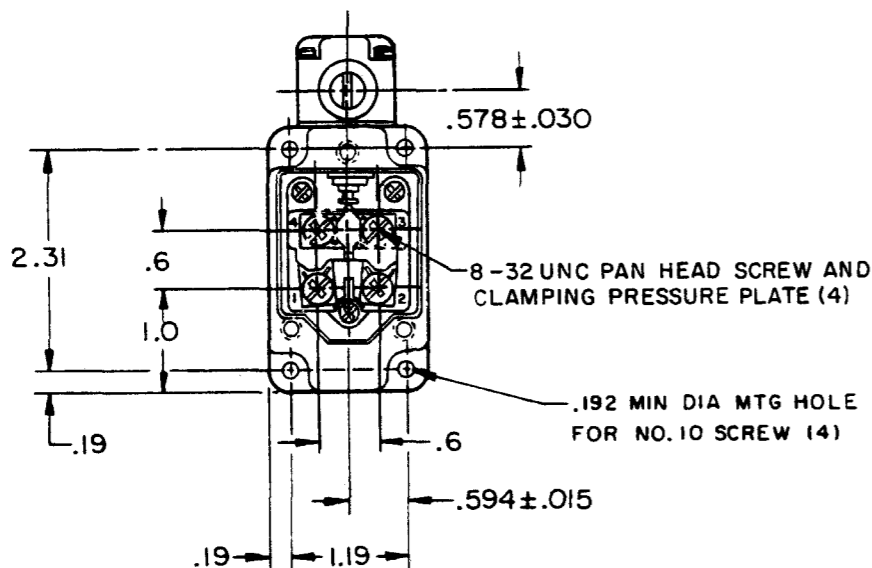
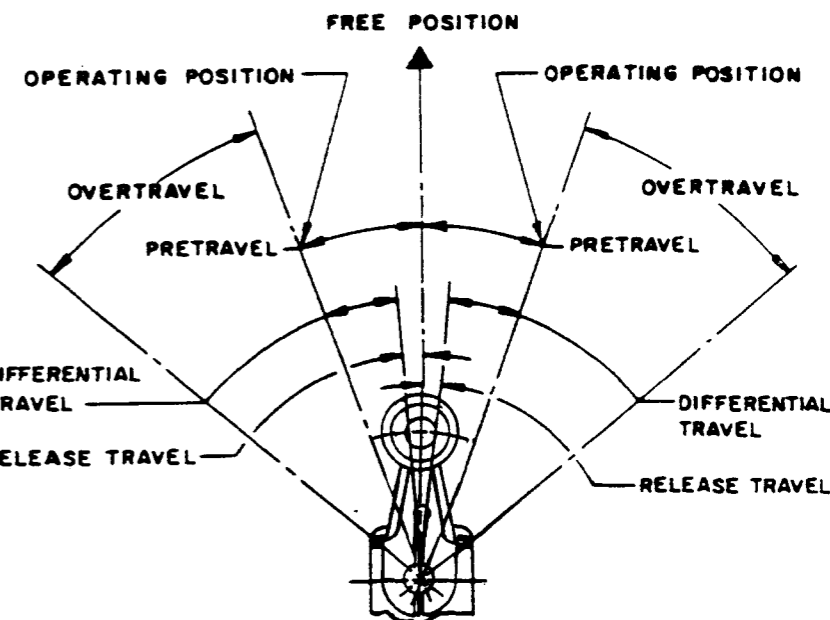


OPERATING HEAD MOUNTS  
 IN ANY OF FOUR  
 POSITIONS



CAPTIVE COVER SCREW (3)



**CAM TRACKING VIEW**

CATALOG LISTING  
**1LS243**  
 PAGE 1 OF 1  
 ISSUE **M**  
 14  
 REVISIONS  
 A CO-95463-B DLT 7 SEP 99  
 B ECO-200178 CSL 5 APR 00  
 CHECK BRJ 2 SEP 65  
 CHECK BRJ 2 SEP 65  
 CHECK LSO 2 SEP 65  
 RER 1 SEP 65  
 FORMTEK  
 FO-90378-003  
 DRAWN

THIS DRAWING COVERS A PROPRIETARY ITEM AND IS THE PROPERTY OF MICRO SWITCH, A DIVISION OF MINNEAPOLIS-HONEYWELL REGULATOR CO. THIS DRAWING IS NOT TO BE COPIED OR USED WITHOUT THE APPROVAL OF MICRO SWITCH.

CHARACTERISTICS	ELECTRICAL DATA	SCALE 1/2 TO 1
OPERATING TORQUE --- 4.5 IN-LB MAX	CONTACT ARRANGEMENT (SEE CIRCUIT DIAGRAM)	DO NOT SCALE PRINT
FULL OVERTRAVEL TORQUE --- 6 IN-LB MAX	10A-120, 240, OR 480 VAC, 1/3 HP - 120 VAC	UNLESS OTHERWISE NOTED
RELEASE TORQUE --- .75 IN-LB MIN	3/4 HP - 240 VAC; 0.8A - 115 VDC; 0.4A - 230 VDC	DIMENSIONS ARE IN INCHES
PRETRAVEL --- 20° MAX	.1A - 550 VDC	TOLERANCES ARE:
DIFFERENTIAL TRAVEL --- 12° MAX	PILOT DUTY: 600 VAC MAX	ONE PLACE (.0) ±.030
OVERTRAVEL --- 30° MIN		TWO PLACE (.00) ±.015
RELEASE TRAVEL --- 5° MIN		THREE PLACE (.000) ±.005
SWITCH-BASIC REPLACEMENT --- 2MNI		ANGLES ±
		WEIGHT

- NOTES**
- 1- SWITCH IS ASSEMBLED FOR ACTUATION IN BOTH DIRECTIONS BUT MAY BE ADJUSTED TO ACTUATE IN EITHER THE CLOCKWISE DIRECTION ONLY OR THE COUNTERCLOCKWISE DIRECTION ONLY
  - 2- TO CONVERT SWITCH FOR ACTUATION IN EITHER THE CLOCKWISE OR COUNTERCLOCKWISE DIRECTION ONLY, REMOVE ACTUATOR HEAD AND ROTATE THE NOTCHED PLUNGER 90° TO THE RIGHT FOR CLOCKWISE ACTUATION OR 90° TO THE LEFT FOR COUNTERCLOCKWISE ACTUATION
  - 3- SEAL TO BE FURNISHED BY USER
  - 4- ROLLER LEVER MAY BE LOCKED IN ANY POSITION THRU 360°
  - 5- LEVER FURNISHED UNASSEMBLED IN UNIT PACKING BOX