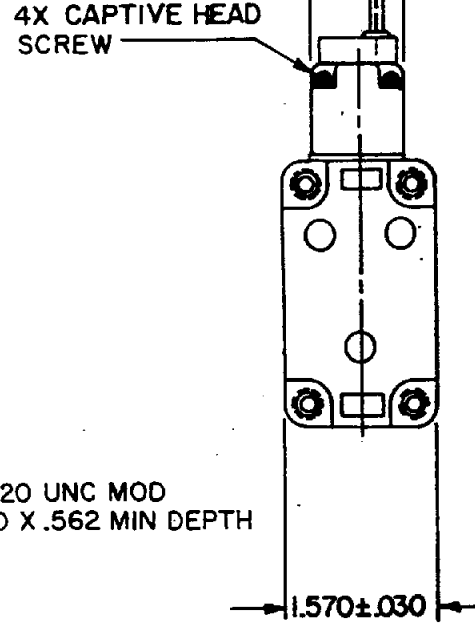
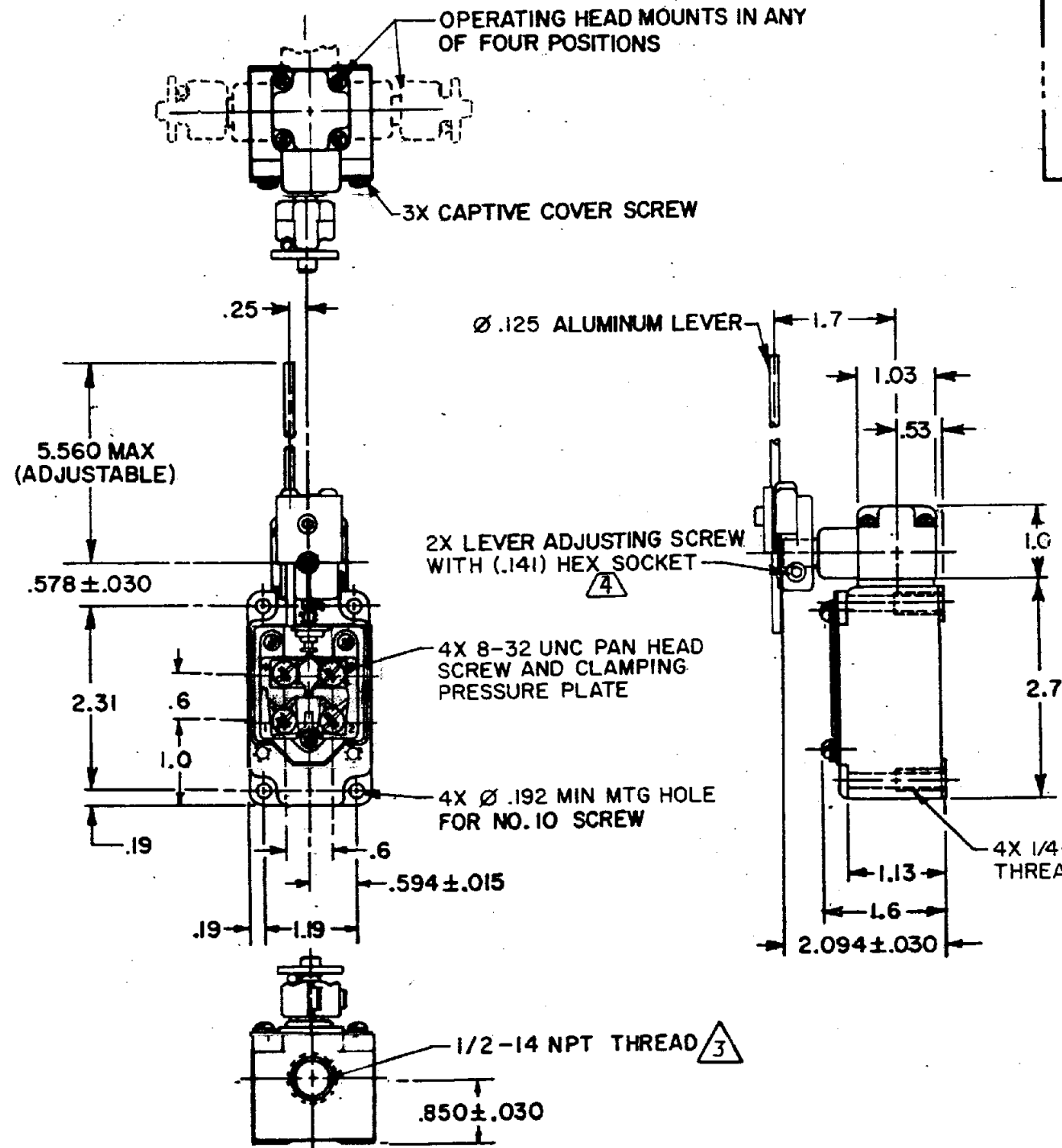
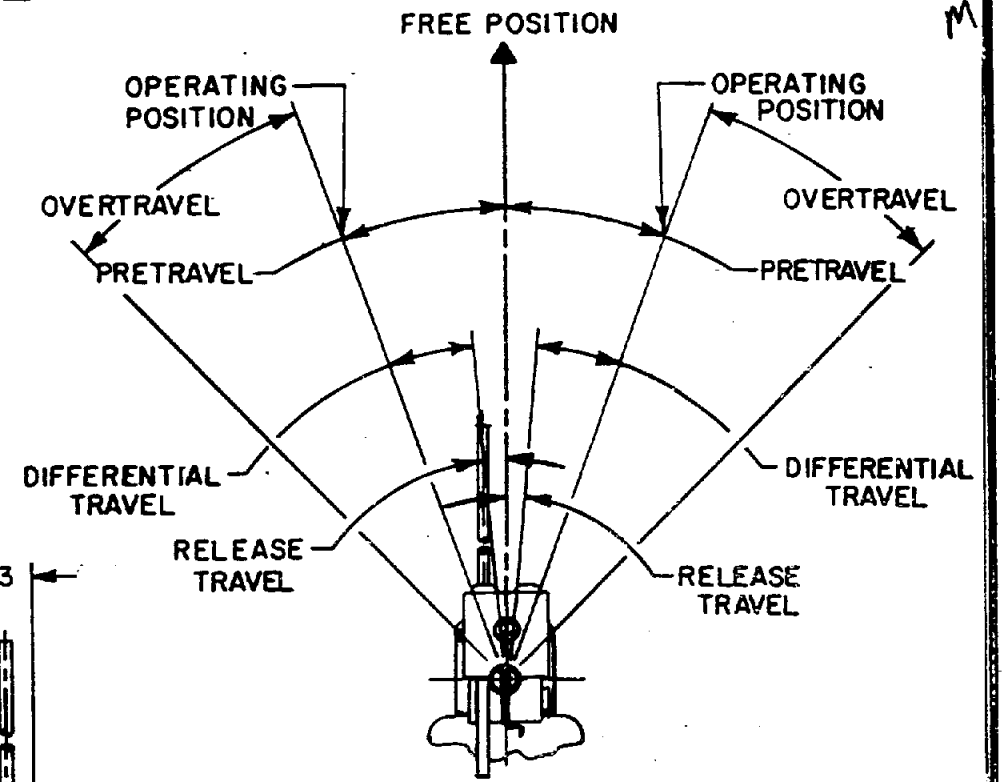
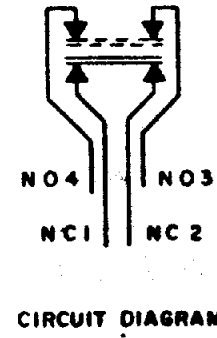


MICRO SWITCH
 FREEPORT, ILLINOIS, U.S.A.
 A DIVISION OF HONEYWELL
 FED. MFG. CODE 81929

SWITCH-ENCLOSED

CATALOG LISTING
ILS10



NOTES

- SWITCH IS ASSEMBLED FOR ACTUATION IN BOTH DIRECTIONS BUT MAY BE ADJUSTED TO ACTUATE IN EITHER THE CLOCKWISE DIRECTION ONLY OR THE COUNTERCLOCKWISE DIRECTION ONLY
 - TO CONVERT SWITCH FOR ACTUATION IN EITHER THE CLOCKWISE OR COUNTERCLOCKWISE DIRECTION ONLY, REMOVE ACTUATOR HEAD AND ROTATE THE NOTCHED PLUNGER 90° TO THE RIGHT FOR CLOCKWISE ACTUATION OR 90° TO THE LEFT FOR COUNTERCLOCKWISE ACTUATION
- 3 SEAL TO BE FURNISHED BY USER
 4 LEVER MAY BE LOCKED IN ANY POSITION THRU 360°
 5 LEVER FURNISHED UNASSEMBLED IN UNIT PACKING BOX

THIS DRAWING COVERS A PROPRIETARY ITEM AND IS THE PROPERTY OF MICRO SWITCH, A DIVISION OF MINNEAPOLIS-HONEYWELL REGULATOR CO. THIS DRAWING IS NOT TO BE COPIED OR USED WITHOUT THE APPROVAL OF MICRO SWITCH.

CHARACTERISTICS	ELECTRICAL DATA	SCALE 1/2 TO 1
OPERATING TORQUE-----1.7 IN-LB MAX	CONTACT ARRANGEMENT (SEE CIRCUIT DIAGRAM)	DO NOT SCALE PRINT
FULL OVERTRAVEL TORQUE ---2.4 IN-LB MAX	18A-120, 240, OR 480 VAC; 1/3 HP - 125 VAC	UNLESS OTHERWISE NOTED
RELEASE TORQUE-----0.35 IN-LB MIN	3/4 HP - 240 VAC; 0.8A - 115 VDC; 0.4A - 230 VDC	DIMENSIONS ARE IN INCHES
PRETRAVEL-----20° MAX	.1A - 550 VDC	TOLERANCES ARE:
DIFFERENTIAL TRAVEL-----12° MAX	PILOT DUTY: 600 VAC MAX	ONE PLACE (.01) ±.030
OVERTRAVEL-----30° MIN		TWO PLACE (.001) ±.015
RELEASE TRAVEL-----5° MIN		THREE PLACE (.000) ±.005
SWITCH-BASIC REPLACEMENT-----2 MNI		ANGLES ±
		WEIGHT .

ANSI Y14.5M-1982 APPLIES

ILS10
 M
 DRAWING NUMBER
 ISSUE 13
 REVISIONS
 A 100-77031
 J D B
 22 DEC 93
 CHECK
 24 JAN 94
 CHECK
 DAW
 DRAWN
 J D B 06 JAN 94
 CHECK
 FO-2881-A