

HONEYWELL

1LS1-L

See full Datasheet below...

onlinecomponents.com

THE ONLINE DISTRIBUTOR OF ELECTRONIC COMPONENTS

BUY NOW



MASTERTM
ELECTRONICS

BUY NOW

masterelectronics.com & onlinecomponents.com
are **authorized** e-commerce distributors
of electronic components.

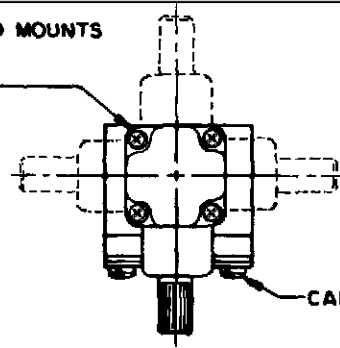
MICRO SWITCH
a Honeywell Division

FED. MFG. CODE 91929

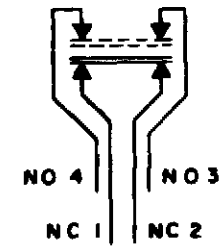
SWITCH-ENCLOSED

CATALOG LISTING
1LS1-L

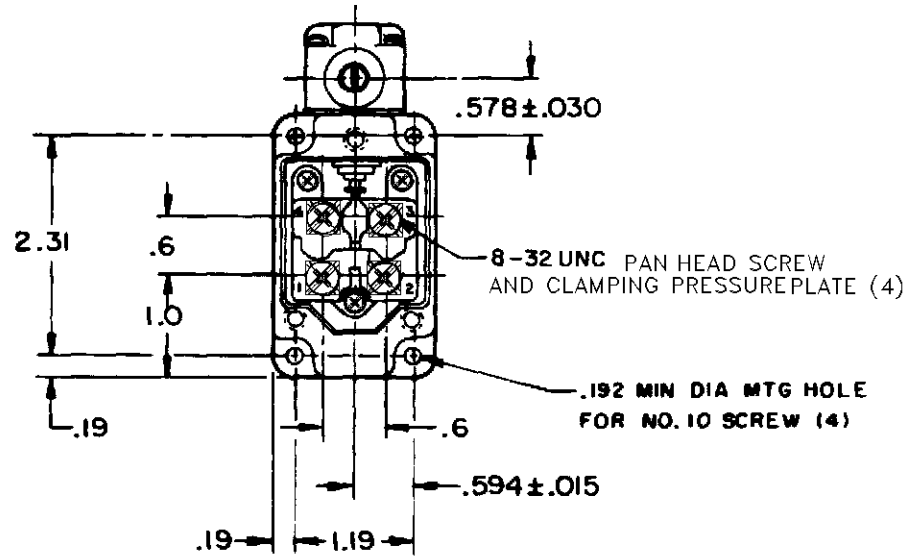
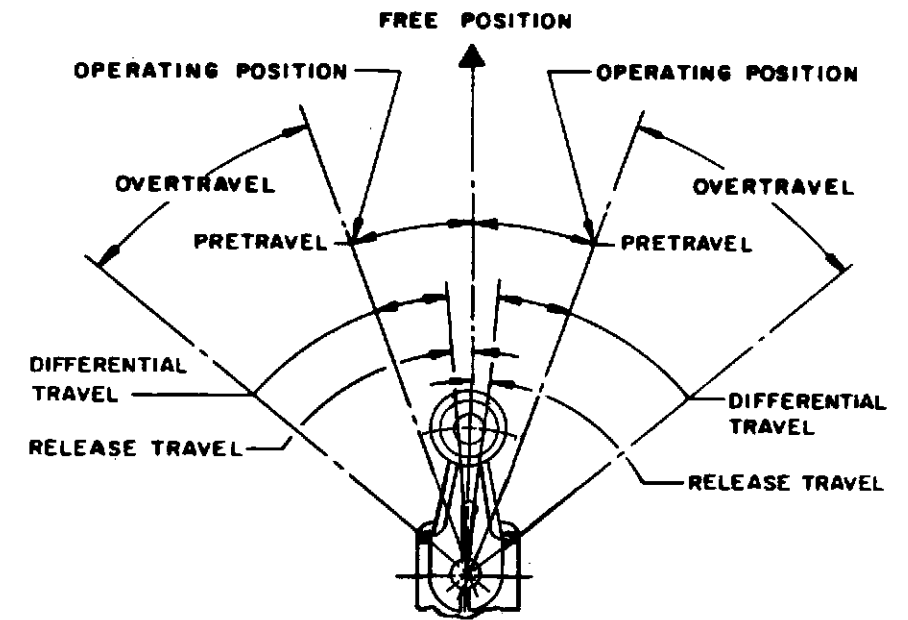
OPERATING HEAD MOUNTS
IN ANY OF FOUR
POSITIONS



CAPTIVE COVER SCREW (3)

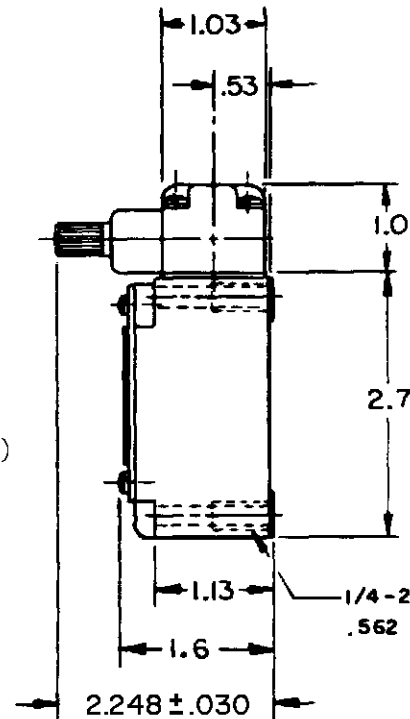


CIRCUIT DIAGRAM



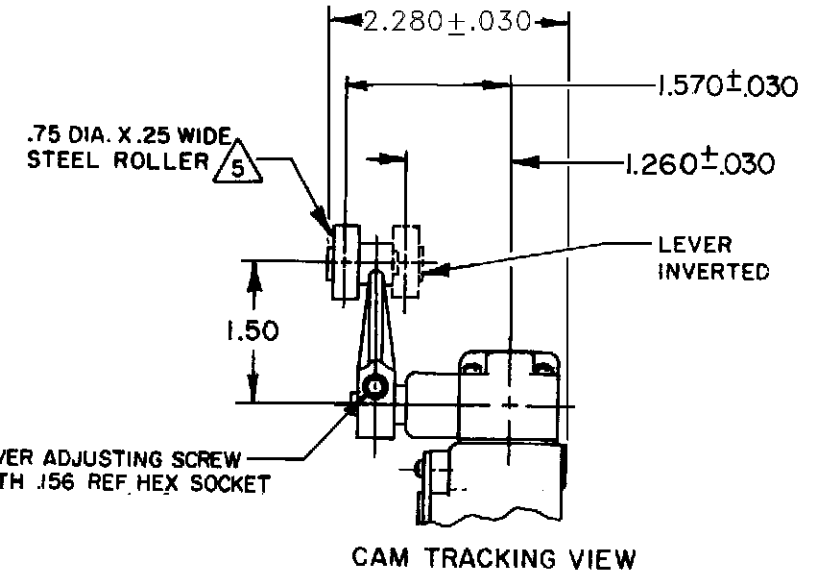
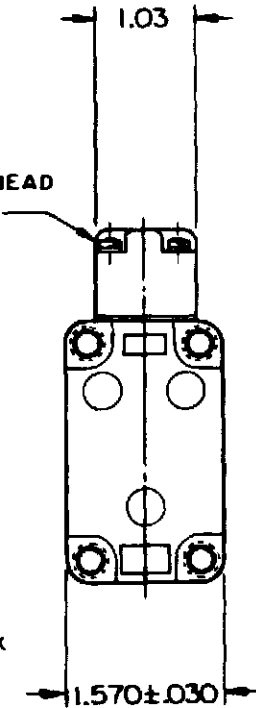
8-32 UNC PAN HEAD SCREW
AND CLAMPING PRESSURE PLATE (4)

.192 MIN DIA MTG HOLE
FOR NO. 10 SCREW (4)

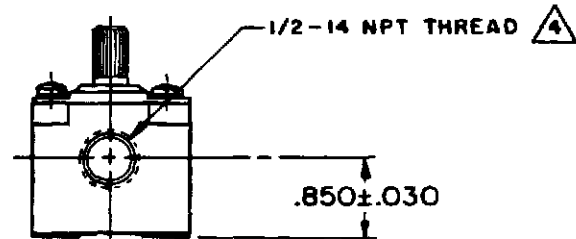


CAPTIVE HEAD
SCREW (4)

1/4-20 UNC MOD THREAD X
.562 MIN DEPTH (4)



CAM TRACKING VIEW



CATALOG LISTING 1LS1-L
 PAGE 1 OF 1
 ISSUE 18
 REVISIONS
 A CO-76997 GJW 28 MAR 95
 B CO-95463-B GJW 28 MAR 95
 C 200178 S.A.V 3 APR 00
 CHECK 5 MAY 95
 JAF
 CHECK 28 MAR 95
 GJW
 FORMTEK

THIS DRAWING COVERS A PROPRIETARY ITEM AND IS THE PROPERTY OF MICRO SWITCH, A DIVISION OF HONEYWELL. THIS DRAWING IS NOT TO BE COPIED OR USED WITHOUT THE APPROVAL OF MICRO SWITCH

CHARACTERISTICS	
OPERATING TORQUE	-----4.5 IN-LB
FULL OVERTRAVEL TORQUE	-----6 IN-LB
RELEASE TORQUE	-----.75 IN-LB
PRETRAVEL	-----20° MAX
DIFFERENTIAL TRAVEL	-----12° MAX
OVERTRAVEL	-----30° MIN
RELEASE TRAVEL	-----5° MIN
SWITCH-BASIC REPLACEMENT	-----2MN1-L

ELECTRICAL DATA	
CONTACT ARRANGEMENT (SEE CIRCUIT DIAGRAM)	
L126	10A 125, 250 OR 480 VAC
	1/3HP 125 VAC, 3/4HP 250 VAC
	0.8A 125 VDC, 0.4A 250 VDC

THIRD ANGLE PROJECTION

SCALE 1/2 TO 1

DO NOT SCALE PRINT

UNLESS OTHERWISE SPECIFIED TOLERANCES ARE

ONE PLACE	(.0)	±.030
TWO PLACE	(.00)	±.015
THREE PLACE	(.000)	±.005
ANGLES		±
WEIGHT		

- NOTES
- SWITCH IS ASSEMBLED FOR ACTUATION IN BOTH DIRECTIONS BUT MAY BE ADJUSTED TO ACTUATE IN EITHER THE CLOCKWISE DIRECTION ONLY OR THE COUNTERCLOCKWISE DIRECTION ONLY
 - TO CONVERT SWITCH FOR ACTUATION IN EITHER THE CLOCKWISE OR COUNTERCLOCKWISE DIRECTION ONLY, REMOVE ACTUATOR HEAD AND ROTATE THE NOTCHED PLUNGER 90° TO THE RIGHT FOR CLOCKWISE ACTUATION OR 90° TO THE LEFT FOR COUNTERCLOCKWISE ACTUATION
- (4) SEAL TO BE FURNISHED BY USER
- (5) ROLLER LEVER MAY BE LOCKED IN ANY POSITION THRU 360°
- 6- LEVER FURNISHED UNASSEMBLED IN UNIT PACKING BOX

