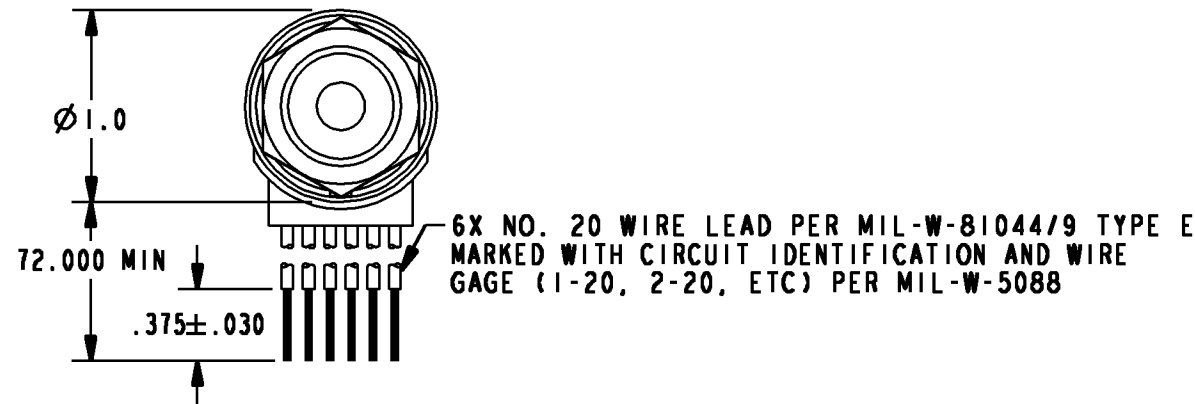


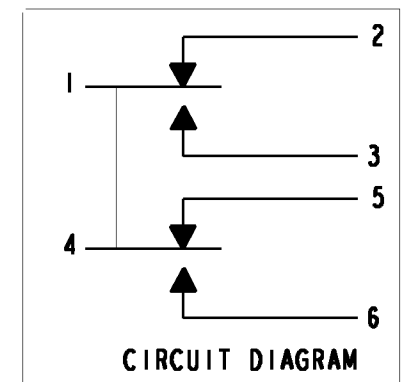
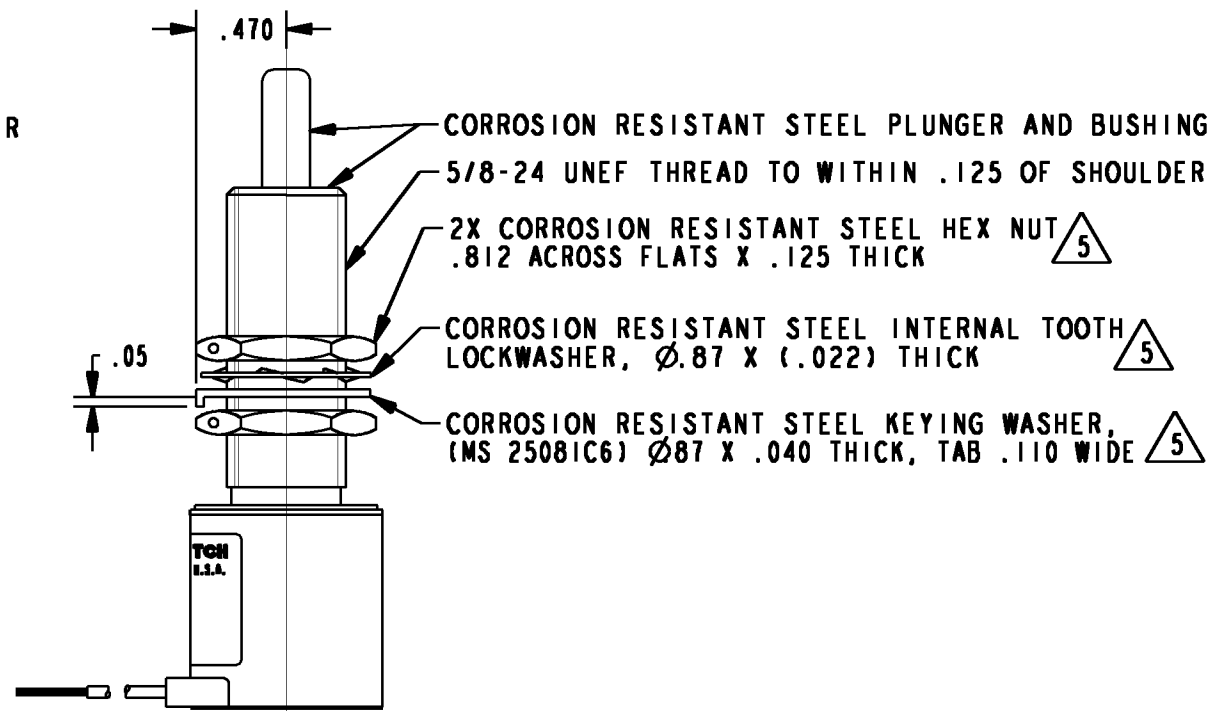
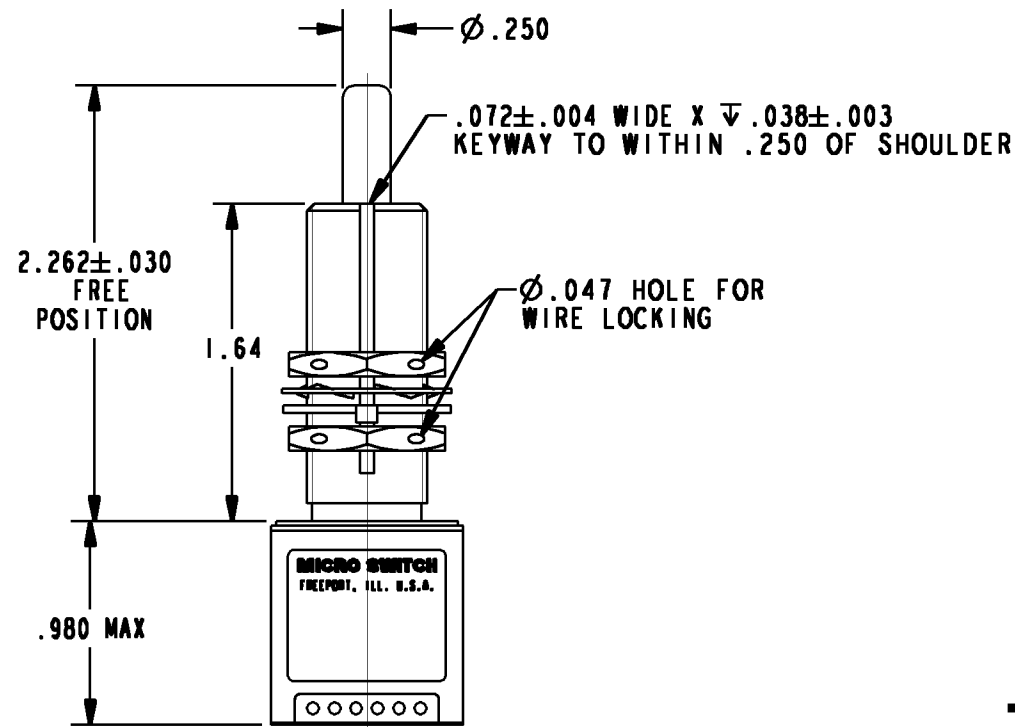
HONEYWELL
PART NUMBER
IEN61-6
FAA-PMA

REV	DOCUMENT	CHANGED BY	CHECK
33	0058491	MBH 11NOV09	CMH



NOTES

- 1 - CORROSION RESISTANT STEEL ENCLOSURE
- 2 - SWITCH SEALED PER MIL-PRF-8805 SYMBOL 4
- 3 - CIRCUIT DIAGRAM, CATALOG LISTING, FED. MFG. CODE, DATE CODE & FAA-PMA ARE SHOWN ON NAMEPLATE
- 4 - COINCIDENCE OF OPERATING AND RELEASING POINTS: .010 OF PLUNGER TRAVEL
- 5 - HARDWARE MAY BE PACKAGED UNASSEMBLED PER MIL-PRF-8805
- 6 - FOR MANUFACTURING DETAIL SEE ASSEMBLY DRAWING IEN61-6 FOR FAA-PMA
- 7 - WEIGHT: 8.0 OZ MAX



CHARACTERISTICS	
OPERATING FORCE	6-12 LB
FULL OVERTRAVEL FORCE	30 LB MAX
RELEASE FORCE	4 LB MIN
PRETRAVEL	.040 MAX
DIFFERENTIAL TRAVEL	.020 MAX
OVERTRAVEL	.500 MIN

ELECTRICAL DATA		
CONTACT ARRANGEMENT 2X S P D T		
28 VDC		
LOAD	SEA LEVEL	50,000 FT
RES	4	4
IND	2	2
MOTOR	4	

DESIGN UNITS: INCH
TOLERANCES UNLESS NOTED:

NO PLACES	x	±	-
ONE PLACE	.x	±	.030
TWO PLACE	.xx	±	.015
THREE PLACE	.xxx	±	.005
FOUR PLACE	.xxxx	±	-
ANGLES	x	±	-

THIRD ANGLE PROJECTION

DRAWN	TSM	09JUL02
CHECK	SAV	09JUL02
THIS DRAWING COVERS A PROPRIETARY ITEM AND IS THE PROPERTY OF HONEYWELL. THIS DRAWING IS NOT TO BE COPIED OR USED WITHOUT THE PERMISSION OF HONEYWELL.		
INTERPRET PER ASME Y14.5M-1994 OTHER HONEYWELL ENGINEERING STANDARDS MAY APPLY		
Pro/ENGINEER	2D	

Honeywell			
TITLE SWITCH - ENCLOSED			
SIZE	TYPE	DRAWING NAME	REV
B	I	IEN61-6	33
SCALE	1:1	SHEET	1 OF 1