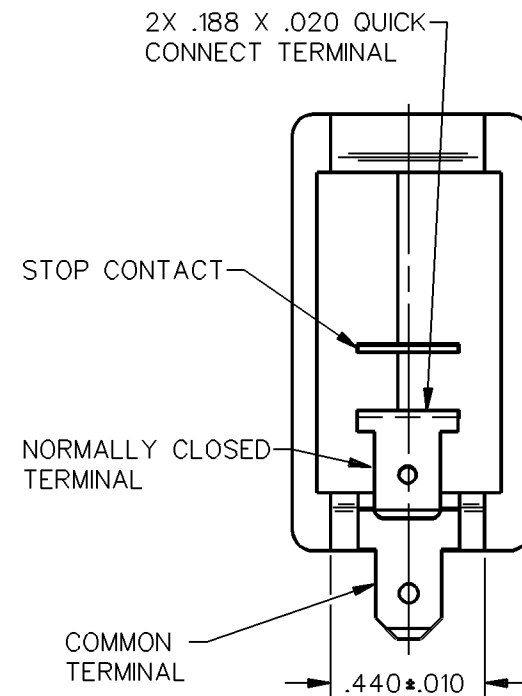
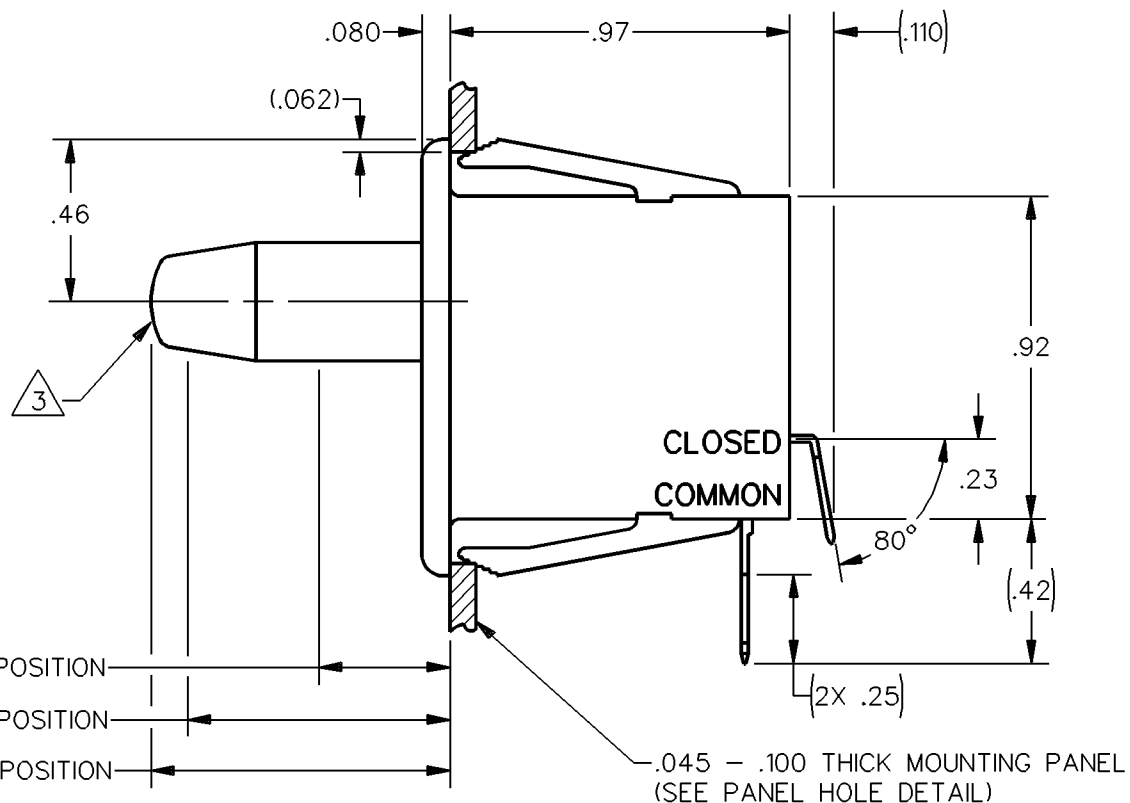
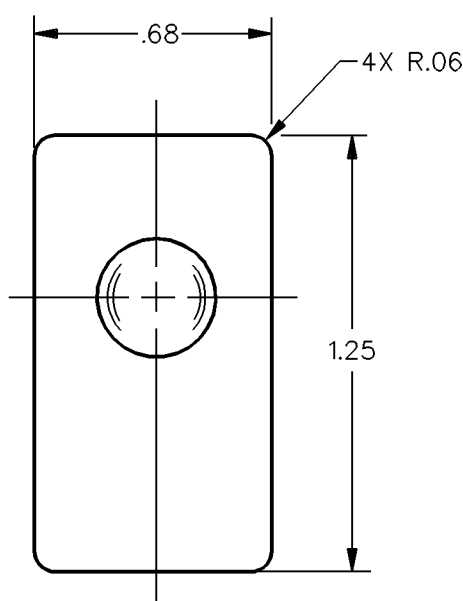
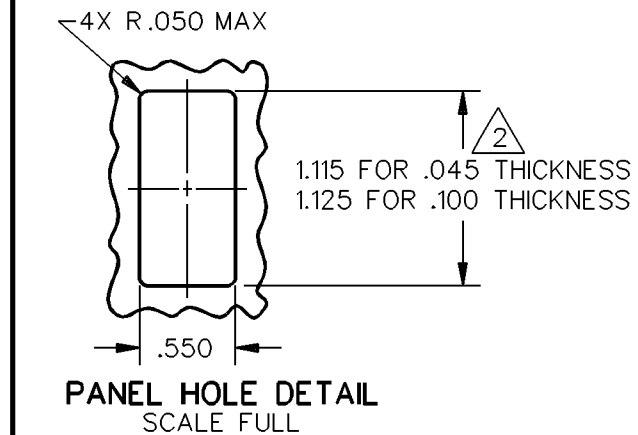
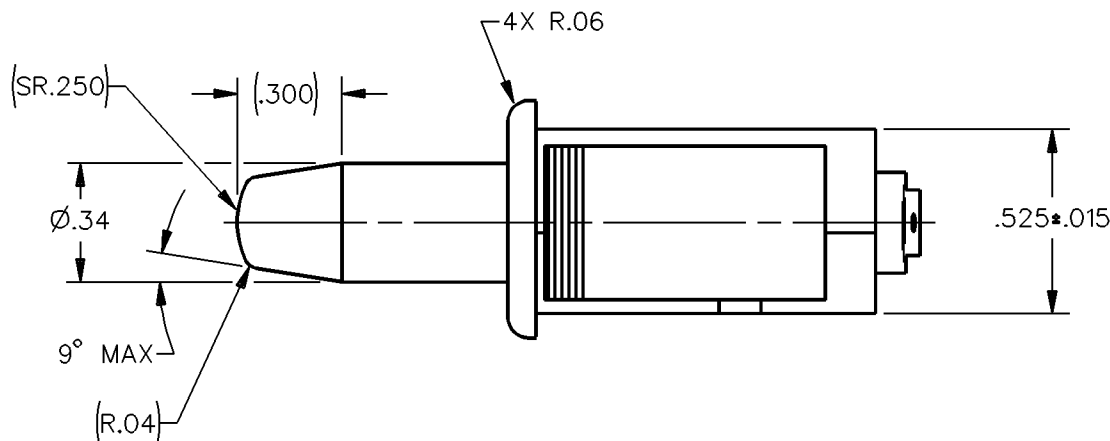


MICRO SWITCH
a Honeywell Division
FED. MFG. CODE 91929

SWITCH - BASIC

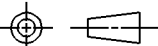
CATALOG LISTING
1DM175



.375 MAX FULL OVERTRAVEL POSITION
.750±.060 OPERATING POSITION
.875±.050 FREE POSITION

THIS DRAWING COVERS A PROPRIETARY ITEM AND IS THE PROPERTY OF MICRO SWITCH, A DIVISION OF HONEYWELL. THIS DRAWING IS NOT TO BE COPIED OR USED WITHOUT THE APPROVAL OF MICRO SWITCH

THIRD ANGLE PROJECTION



SCALE 2 TO 1

DO NOT SCALE PRINT

UNLESS OTHERWISE SPECIFIED TOLERANCES ARE

ONE PLACE (.0) ±.030
TWO PLACE (.00) ±.015
THREE PLACE (.000) ±.005
ANGLES ± 5°

WEIGHT

NOTES

- 1 - WHITE PLASTIC CASE AND PLUNGER
- 2 - NOMINAL CUTOUT DIMENSION FOR PANELS BETWEEN .045 AND .100 SHOULD BE INTERPOLATED BETWEEN 1.115 AND 1.125
- 3 - PUSH TO OPERATE - MOMENTARY
- 4 - SWITCH HAS GOLD ALLOY CONTACTS

ANSI Y14.5M-1982 APPLIES

CATALOG LISTING 1DM175
 ISSUE 2
 REVISIONS
 A CO-72328 WJC 9 NOV 92
 CHECK
 CHECK
 DRAWN
 DDM/CAD
 WJC 9 NOV 92
 CHECK
 REPLACES PR-18025
 RELEASE NO.

CHARACTERISTICS
 OPERATING FORCE - - - - - 15 OZ MAX
 RELEASE FORCE - - - - - 3 OZ MIN
 OVERTRAVEL - - - - - .375 MIN
 DIFFERENTIAL TRAVEL - - .045 APPROX
 PLUNGER FORCE - - - - - 21 OZ MAX
 (AT .375 OVERTRAVEL)

ELECTRICAL DATA
 CONTACT ARRANGEMENT
 S P N C

BREAK DISTANCE - - - - - .015 APPROX

L22 1A 125 VAC

