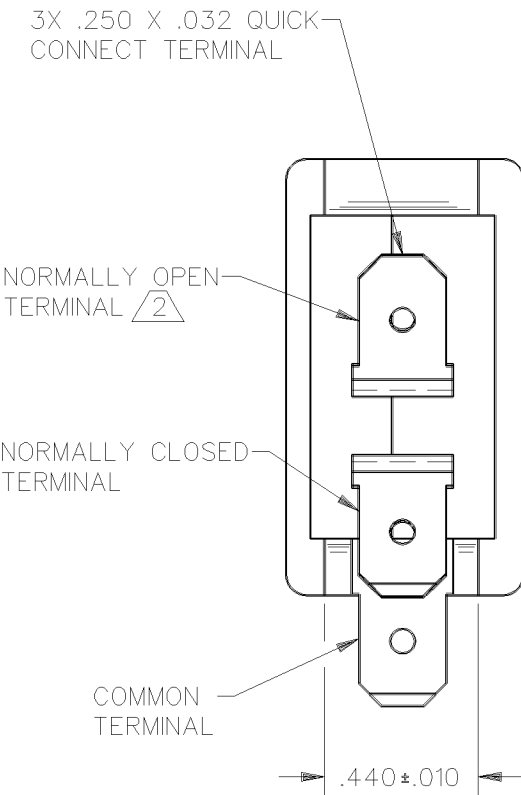
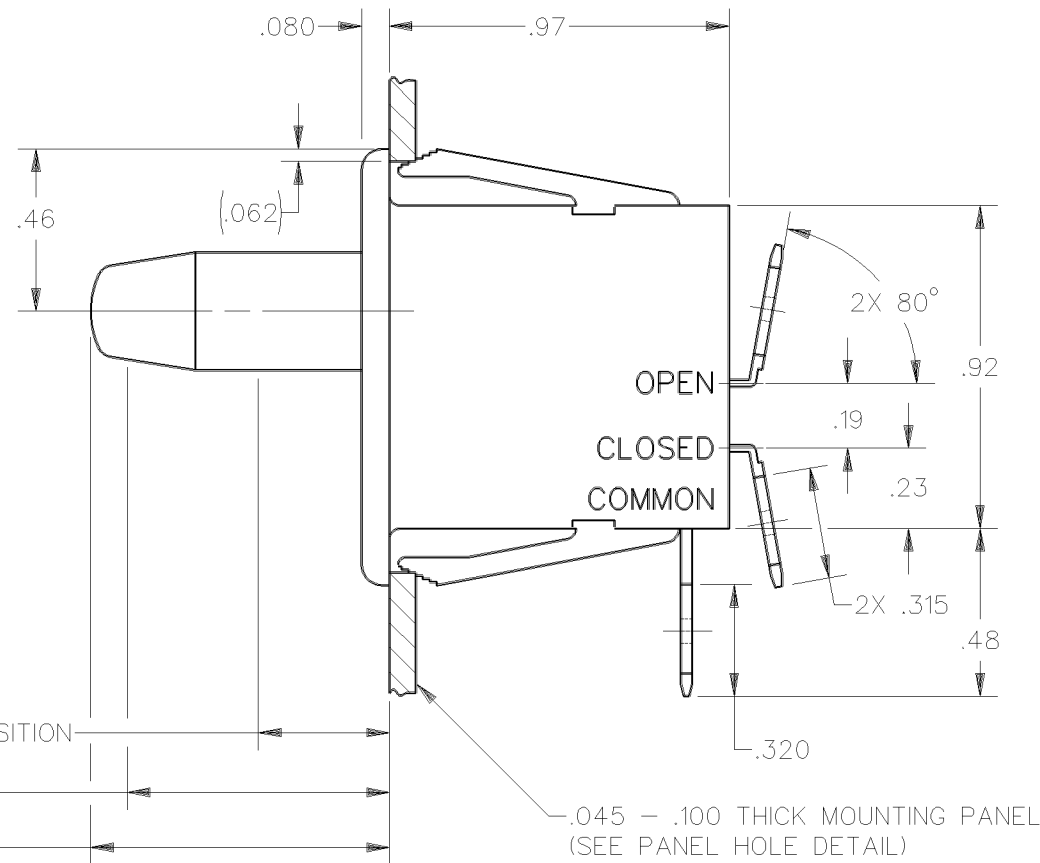
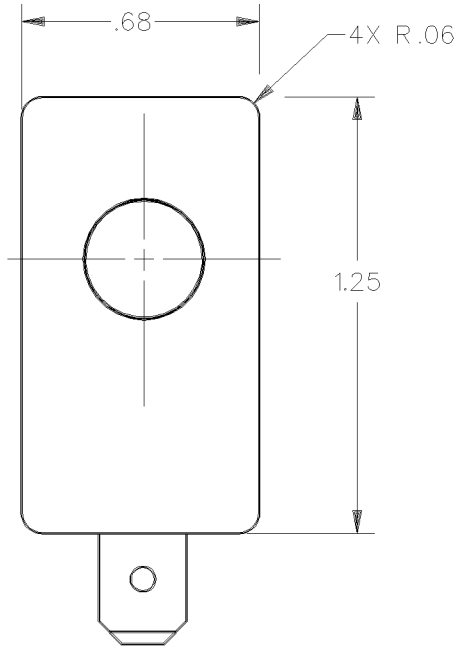
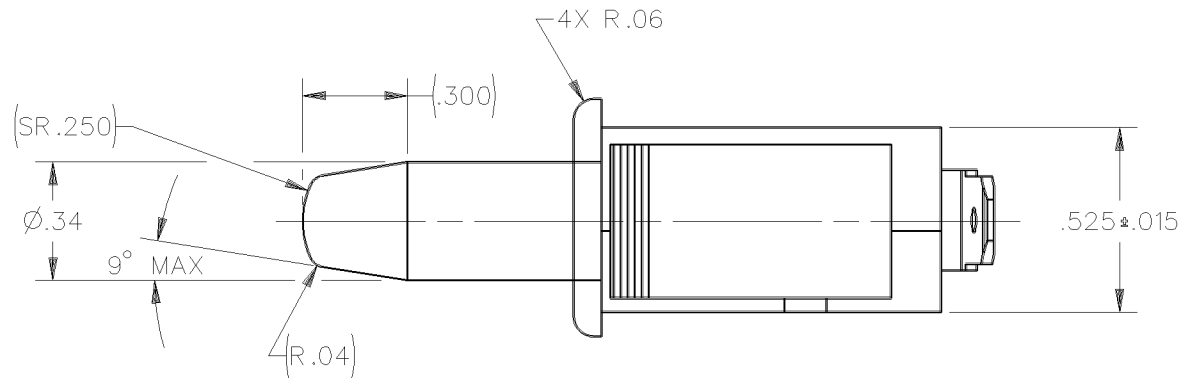
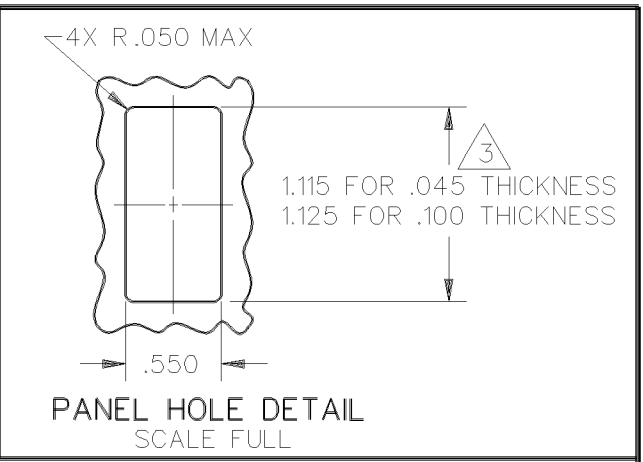


**MICRO SWITCH**  
a Honeywell Division

FED. MFG. CODE 91929

SWITCH - BASIC

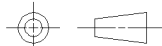
CATALOG LISTING  
1DM171  
MN-A7071



.375 MAX FULL OVERTRAVEL POSITION  
.750 ± .060 OPERATING POSITION  
.880 ± .050 FREE POSITION

THIS DRAWING COVERS A PROPRIETARY ITEM AND IS THE PROPERTY OF MICRO SWITCH, A DIVISION OF HONEYWELL. THIS DRAWING IS NOT TO BE COPIED OR USED WITHOUT THE APPROVAL OF MICRO SWITCH

THIRD ANGLE PROJECTION



SCALE 2 : 1

DO NOT SCALE PRINT

UNLESS OTHERWISE SPECIFIED TOLERANCES ARE

ONE PLACE (.0) ± .030  
TWO PLACE (.00) ± .015  
THREE PLACE (.000) ± .005  
ANGLES ± 5°

WEIGHT

NOTES

- 1 - BLACK PLASTIC CASE AND WHITE PLUNGER
- 2 FLAG STYLE QUICK CONNECT RECEPTACLE REQUIRED FOR NORMALLY OPEN TERMINAL IF SWITCH IS WIRED BEFORE MOUNTING
- 3 NOMINAL CUTOUT DIMENSION FOR PANELS BETWEEN .045 AND .100 SHOULD BE INTERPOLATED BETWEEN 1.115 AND 1.125

ANSI Y14.5M-1982 APPLIES

CATALOG LISTING  
1DM171  
PAGE 1 OF 1

REVISIONS  
A OBS CO72370  
2 APR 92  
B RE-INST PR21652  
DCS 17 APR 95

REPLACES

RELEASE NO. PR-16048

CHECK

CHECK

CHECK

DCS 17 APR 95

DDM/CAD

DRAWN

