

**MICRO SWITCH**  
a Honeywell Division

FED. MFG. CODE 91929

SWITCH - BASIC

CATALOG LISTING  
1DM152

CATALOG LISTING  
1DM152

ISSUE  
4

REVISIONS  
A CO-72328  
DCS  
22 OCT 92

REPLACES X72033-DM

RELEASE NO. PR-9622

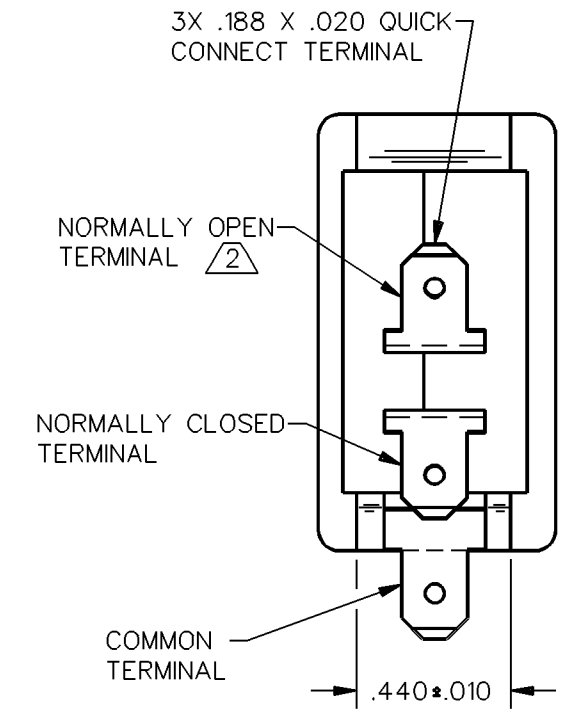
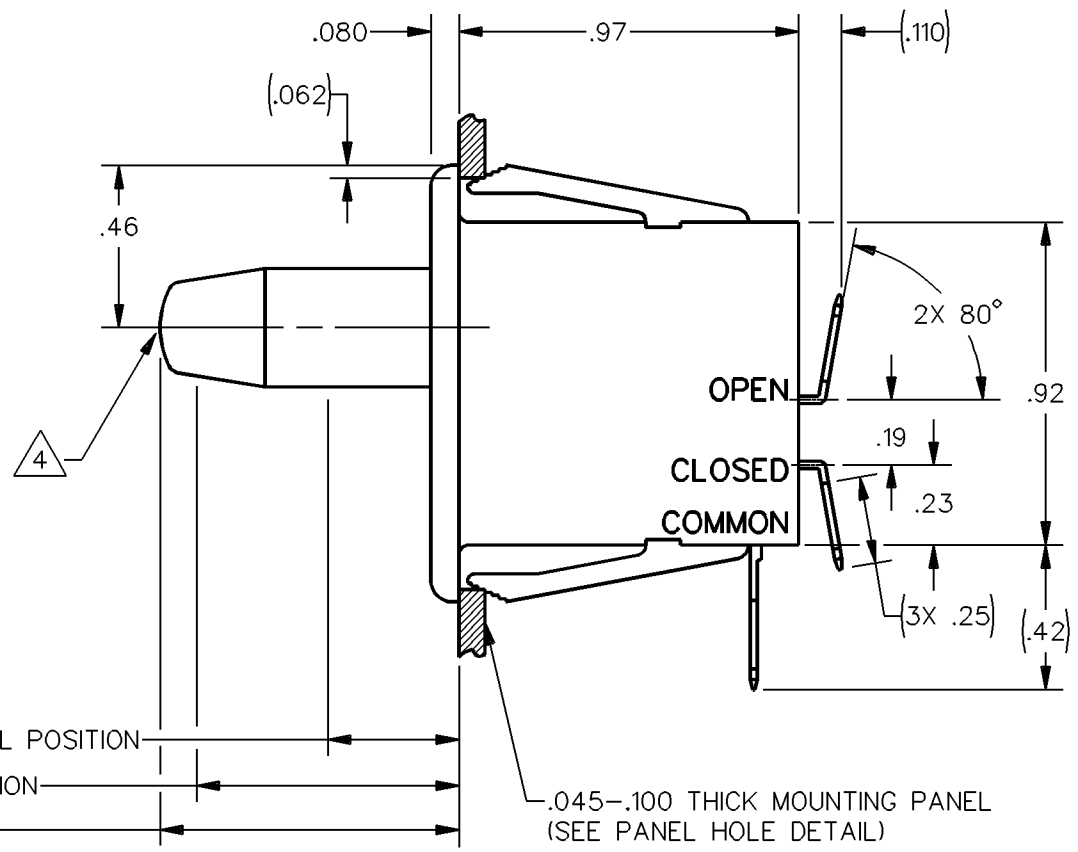
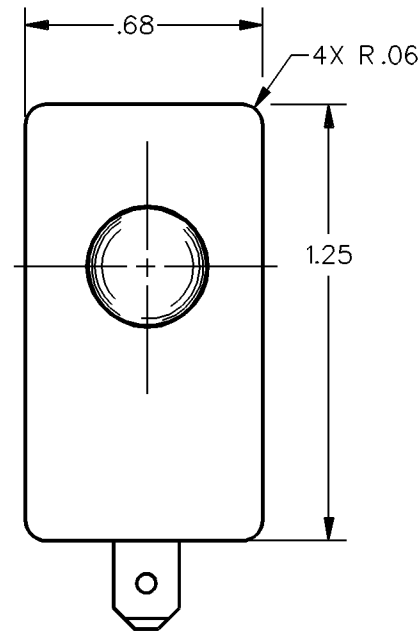
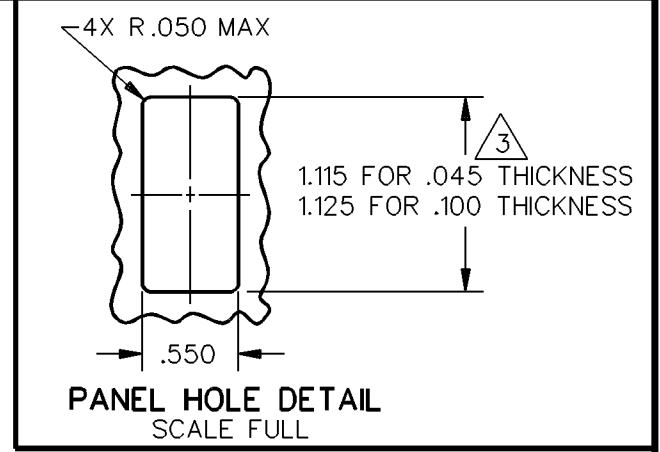
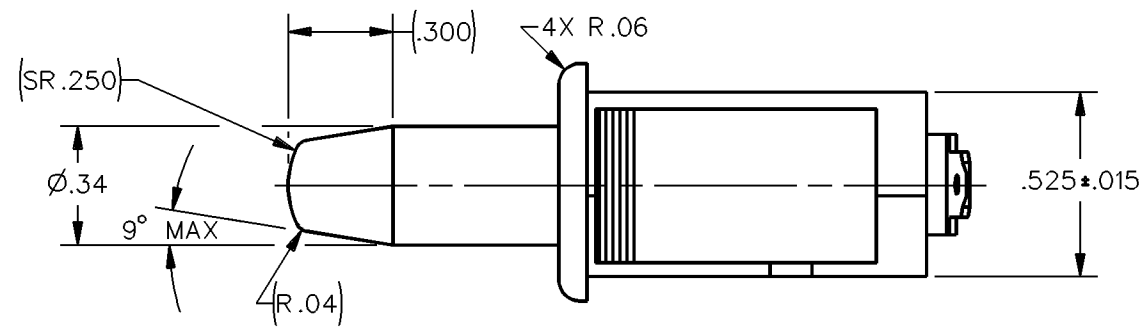
CHECK

CHECK

CHECK

DCS 22 OCT 92

DDM/CAD  
DRAWN



.375 MAX FULL OVERTRAVEL POSITION  
.750 ± .060 OPERATING POSITION  
.880 ± .050 FREE POSITION

THIS DRAWING COVERS A PROPRIETARY ITEM AND IS THE PROPERTY OF MICRO SWITCH, A DIVISION OF HONEYWELL. THIS DRAWING IS NOT TO BE COPIED OR USED WITHOUT THE APPROVAL OF MICRO SWITCH

THIRD ANGLE PROJECTION	
SCALE 2 TO 1	
DO NOT SCALE PRINT	
UNLESS OTHERWISE SPECIFIED TOLERANCES ARE	
ONE PLACE	(.0) ± .030
TWO PLACE	(.00) ± .015
THREE PLACE	(.000) ± .005
ANGLES	± 5°
WEIGHT	

CHARACTERISTICS	ELECTRICAL DATA
OPERATING FORCE - - - - - 15 OZ MAX	CONTACT ARRANGEMENT
RELEASE FORCE - - - - - 3 OZ MIN	S P D T
DIFFERENTIAL TRAVEL - - .045 APPROX	L181
OVERTRAVEL - - - - - .375 MIN	10A 1/2HP 125, 250 OR 277 VAC
PLUNGER FORCE - - - - - 21 OZ MAX (AT .375 OVERTRAVEL)	

- NOTE
- 1 - BLACK PLASTIC CASE AND PLUNGER
  - 2 - FLAG STYLE QUICK CONNECT RECEPTACLE REQUIRED FOR NORMALLY OPEN TERMINAL IF SWITCH IS WIRED BEFORE MOUNTING
  - 3 - NOMINAL CUTOUT DIMENSION FOR PANELS BETWEEN .045 AND .100 SHOULD BE INTERPOLATED BETWEEN 1.115 AND 1.125
  - 4 - PUSH TO OPERATE - MOMENTARY



ANSI Y14.5M-1982 APPLIES