

HONEYWELL

1CH61-6R

See full Datasheet below...

onlinecomponents.com

THE ONLINE DISTRIBUTOR OF ELECTRONIC COMPONENTS

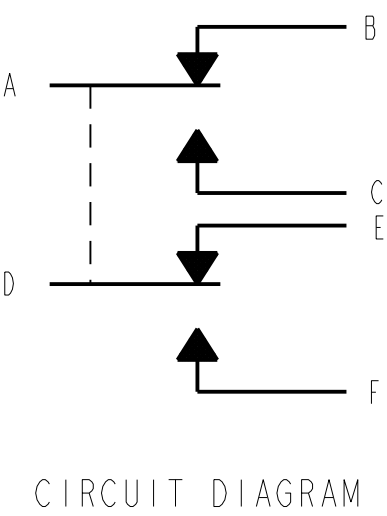
BUY NOW



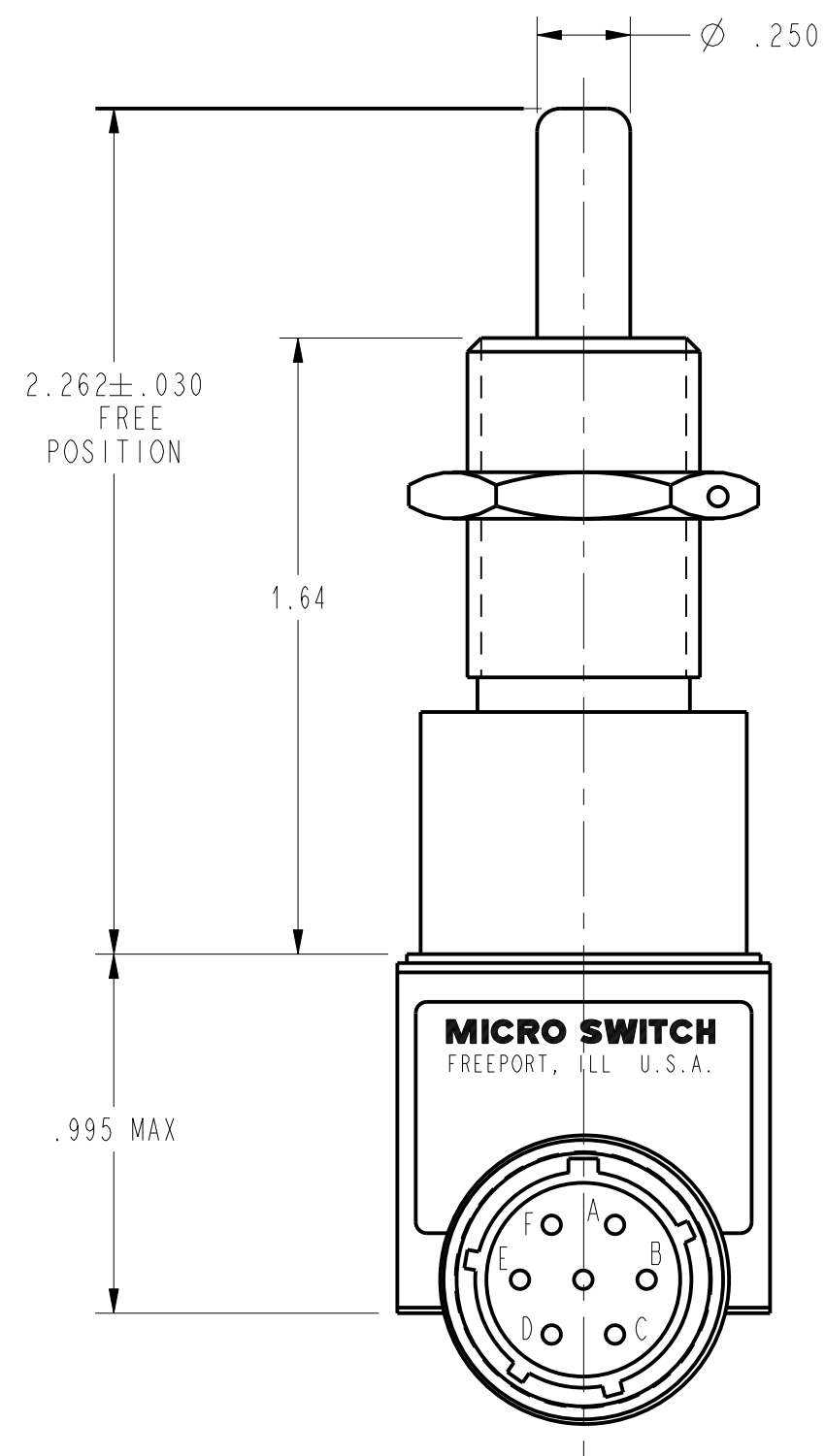
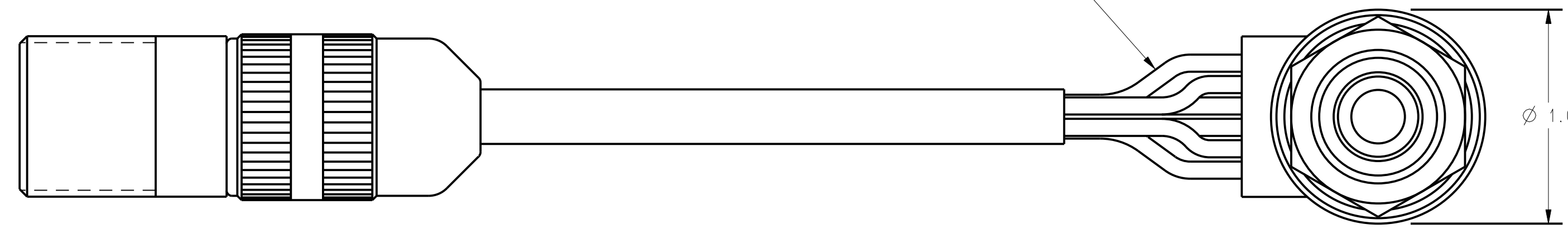
MASTERTM
E L E C T R O N I C S

BUY NOW

masterelectronics.com & onlinecomponents.com
are **authorized** e-commerce distributors
of electronic components.



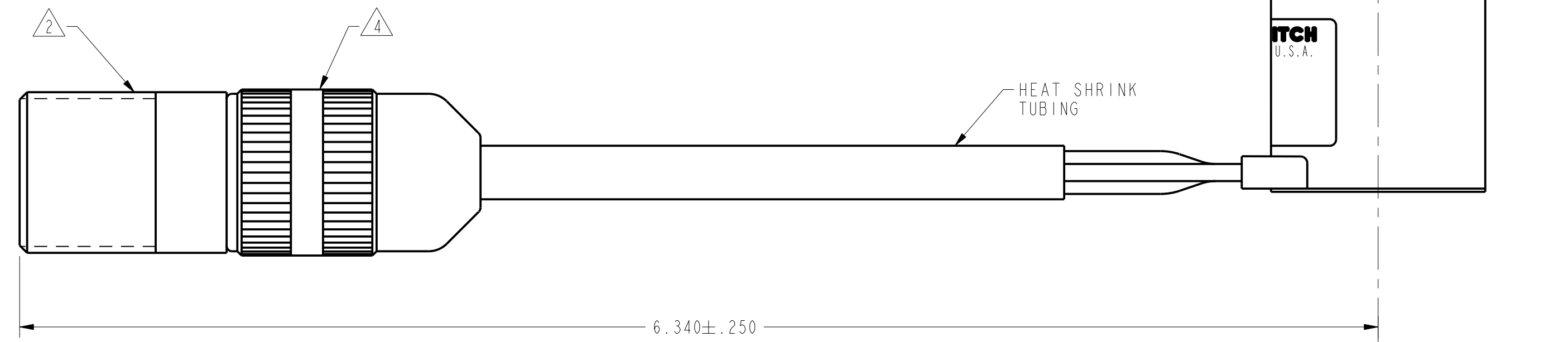
6X NO. 20 WIRE LEAD PER MIL-W-81044/9 TYPE E MARKED WITH CIRCUIT IDENTIFICATION AND WIRE GAGE (1-20, 2-20, ETC) PER MIL-W-5088



CORROSION RESISTANT STEEL PLUNGER AND BUSHING

CORROSION RESISTANT STEEL HEX NUT .812 ACROSS FLATS X .125 THICK

5/8-24 UNEF THREAD TO WITHIN .125 OF SHOULDER



SPECIFICATION DETAILS:				
STANDARD:	CONFORMS TO MS24331-1 (MIL-PRF-8805/40) EXCEPT AS NOTED			
CONSTRUCTION:	ENCLOSURE DESIGN: WATERTIGHT SEAL PER MIL-PRF-8805, SYMBOL 3			
	CONTACT MATERIAL & CONFIGURATION: SMOOTH SILVER CONTACTS			
	CIRCUIT CONFIGURATION: 2X S P D T			
	TERMINATION: LEADWIRE PER MIL-W-81044/9			
	O-RING MATERIAL: SILICONE			
	EXPOSED METALS: CORROSION RESISTANT STAINLESS STEEL			
ELECTRICAL CHARACTERISTICS:				
ELECTRICAL RATINGS:	VOLTAGE	RESISTIVE	LOAD INDUCTIVE	MOTOR
-SEA LEVEL	28 VDC	4A	2A	4A
-50,000 FEET	28 VDC	4A	2A	4A
DIELECTRIC STRENGTH & INSULATION RES (BASIC SWITCH):	DIELECTRIC STRENGTH		INSULATION RESISTANCE	
	≈ 60 Hz FOR 5 SECONDS		(500 VDC ±10%)	
-BETWEEN TERMINALS AND EXPOSED NON-CURRENT CARRYING METAL	1000 V Rms, 500 μ A (MAX LEAKAGE)		1000 Megohm MIN	
-BETWEEN TERMINALS OF MUTUALLY INSULATED CIRCUITS	1000 V Rms, 500 μ A (MAX LEAKAGE)		1000 Megohm MIN	
-BETWEEN ALL UNCONNECTED TERMINALS OF THE SAME POLE	1000 V Rms, 500 μ A (MAX LEAKAGE)		1000 Megohm MIN	
SWITCH RESISTANCE	N/A			
RECOMMENDATION OR USE IN APPL LESS THAN .5 amps AND/OR 12 volts	N/A			
MECHANICAL CHARACTERISTICS:				
COINCIDENCE OF OPERATING AND RELEASING POINTS	.010 OF PLUNGER TRAVEL			
OPERATING FORCE	6-12 LBS			
FULL OVERTRAVEL FORCE	30 LB MAX			
RELEASE FORCE	4 LB MIN			
PRETRAVEL	.040 MAX			
DIFFERENTIAL TRAVEL	.020 MAX			
OVERTRAVEL	.500 MIN			
MOUNTING STRENGTH	15 IN-LBS			
ACTUATOR STRENGTH	30 LBS APPLIES IN A DIRECTION TO CAUSE SWITCH ACTUATION			
LIFE:				
MECHANICAL LIFE	25,000 MIN			
ELECTRICAL LIFE AT FULL RATED LOAD	PER MIL-PRF-8805/40			
ENVIRONMENTAL:				
TEMPERATURE RANGE	-55° C TO +85° C			
ALTITUDE RANGE	SEA LEVEL TO 50,000 FT			
SHOCK	PER MIL-PRF-8805 SYMBOL M-100g			
VIBRATION	PER MIL-PRF-8805 SYMBOL 1 - 10-500 Hz & 10g PEAK			
MOISTURE RESISTANCE	PER MIL-PRF-8805 (10 DAY TEST)			
THERMAL SHOCK	PER MIL-PRF-8805 (5 CYCLE TEST)			
SALT SPRAY	PER MIL-PRF-8805 (96 HOUR TEST)			

- NOTES
- 1 - CIRCUIT DIAGRAM AND CATALOG LISTING ARE SHOWN ON NAMEPLATE
 - 2 - CONNECTOR PER DEUTSCH #BVD01E0207PN
 - 3 - MATING CONNECTOR PER DEUTSCH #BVD06E0207SN
 - 4 - CONNECTOR STRAIN RELIEF PER DEUTSCH #BVDSRECO2SR
 - 5 - HARDWARE MAY BE PACKAGED UNASSEMBLED PER MIL-PRF-8805
 - 6 - CONTACT HONEYWELL/MICRO SWITCH IF ADDITIONAL INFORMATION ON LOW ENERGY LOADS IS REQUIRED OR FOR HELP WITH SPECIFIC APPLICATIONS

ICM61-6R
PAGE 1 OF 1
RELEASE NO. PR-22681
REPLACES X102068-CH

ISSUE 5

REVIS IONS
A 202151
B 204452
C 002803

PTC/CAD 20
DRAWN G.W. P5
CHECK SAV 25
DATE JAN 01 1985

THIS DRAWING COVERS A PROPRIETARY ITEM AND IS THE PROPERTY OF MICRO SWITCH, A DIVISION OF HONEYWELL. THIS DRAWING IS NOT TO BE COPIED OR USED WITHOUT THE APPROVAL OF MICRO SWITCH.		FED. MFG. CODE 91929		CATALOG LISTING	
MICRO SWITCH a Honeywell Division		SWITCH - ENCLOSED		ICM61-6R	
				ONE PLACE (.0) +.030	
				TWO PLACE (.00) +.015	
				THREE PLACE (.000) +.005	
				ANGLES +	
				WEIGHT	