

HONEYWELL

1CH22-4

See full Datasheet below...

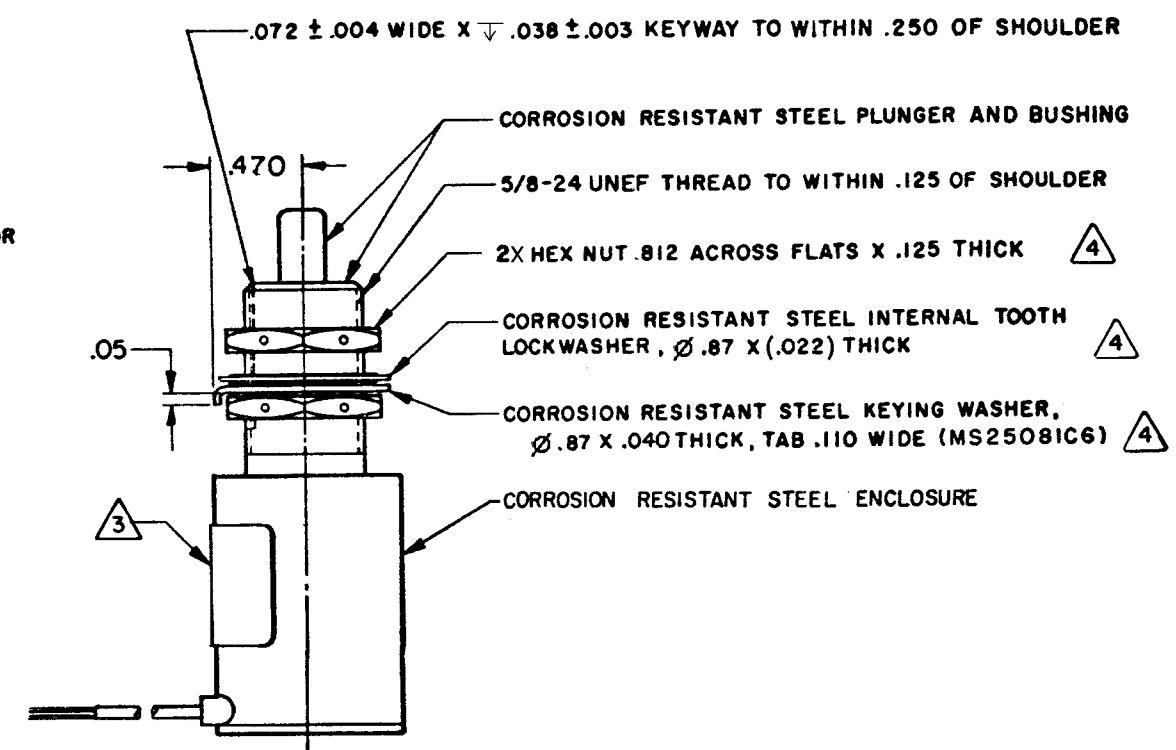
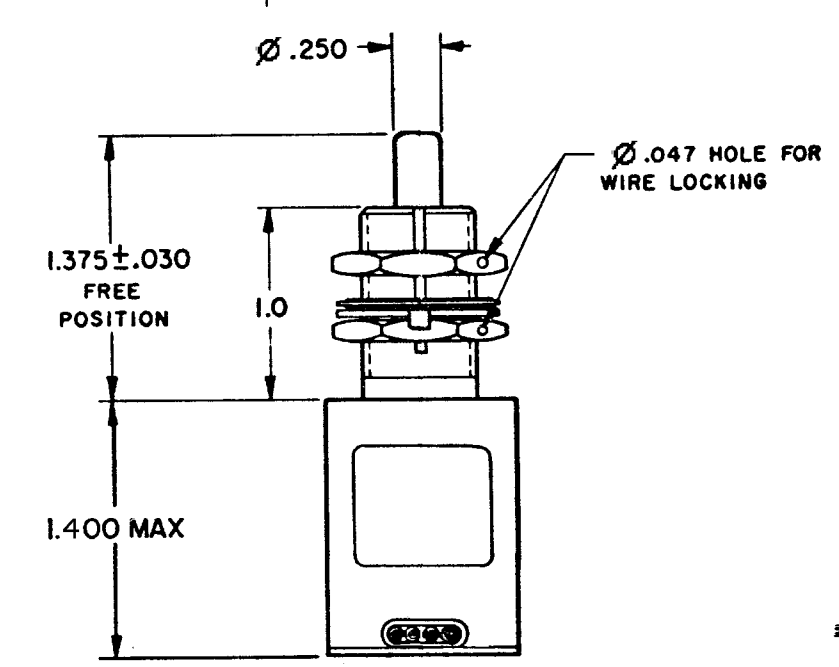
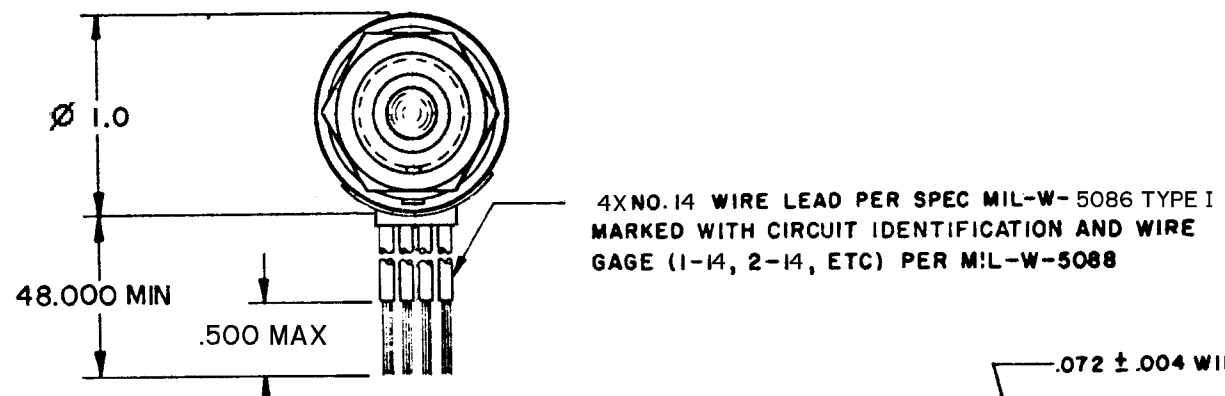
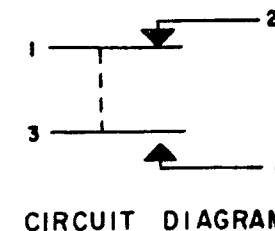
onlinecomponents.com
THE ONLINE DISTRIBUTOR OF ELECTRONIC COMPONENTS

BUY NOW

 **MASTER**TM
ELECTRONICS

BUY NOW

masterelectronics.com & onlinecomponents.com
are **authorized** e-commerce distributors
of electronic components.



CATALOG LISTING
1CH22-4
PAGE 1 OF 1

REPLACES **X31003**

RELEASE NO. **SR 11661**

ISSUE **12**

REVISIONS

A CO-95348-B
DLM
16 FEB 00

FORMTEK
DRAWN

DLM 16FEB00

SAV 16FEB00

CHECK

THIS DRAWING COVERS A PROPRIETARY ITEM AND IS THE PROPERTY OF MICRO SWITCH, A DIVISION OF HONEYWELL. THIS DRAWING IS NOT TO BE COPIED OR USED WITHOUT THE APPROVAL OF MICRO SWITCH

THIRD ANGLE PROJECTION

CHARACTERISTICS		ELECTRICAL DATA		SCALE FULL
OPERATING FORCE	6-13 LB	CONTACT ARRANGEMENT		DO NOT SCALE PRINT
FULL OVERTRAVEL FORCE	30 LB MAX	1X S P N C 1X S P N O		UNLESS OTHERWISE SPECIFIED TOLERANCES ARE
RELEASE FORCE	4 LB MIN	LOAD	28 VDC	ONE PLACE (.0) ± .030
PRETRAVEL	.100 MAX	RES	SEA LEVEL	TWO PLACE (.00) ± .015
DIFFERENTIAL TRAVEL	.020 MIN	IND	50,000 FT.	THREE PLACE (.000) ± .005
OVERTRAVEL	.180 MIN	MOTOR		ANGLES ±
				WEIGHT 7.0 OZ MAX

NOTES

- 1 - SWITCH SEALED PER MIL-PRF-8805 SYMBOL 2
- 2 - COINCIDENCE OF OPERATING AND RELEASING POINTS: .010 OF PLUNGER TRAVEL
- ③ - CATALOG LISTING, MICRO IDENTIFICATION, CIRCUIT DIAGRAM AND DATE CODE ARE SHOWN ON NAMEPLATE
- ④ - HARDWARE MAY BE PACKAGED UNASSEMBLED PER MIL-PRF-8805