

MICRO SWITCH

FREEPORT ILLINOIS, U.S.A.
A DIVISION OF HONEYWELL

FED. MFG. CODE 91929

PACKET

CATALOG LISTING

19PA6-5

19PA6-5

M

DRAWING NUMBER

ISSUE
3

REPLACES

RELEASE NO. PR-2005

REVISIONS

A	ETS	
M	B S	24 APR 69
B	PR-2005	
R	R R	8 JUL 71

CHECK

5 FEB 68

5 FEB 68

5 FEB 68

5 FEB 68

5 FEB 68

5 FEB 68

5 FEB 68

5 FEB 68

5 FEB 68

5 FEB 68

5 FEB 68

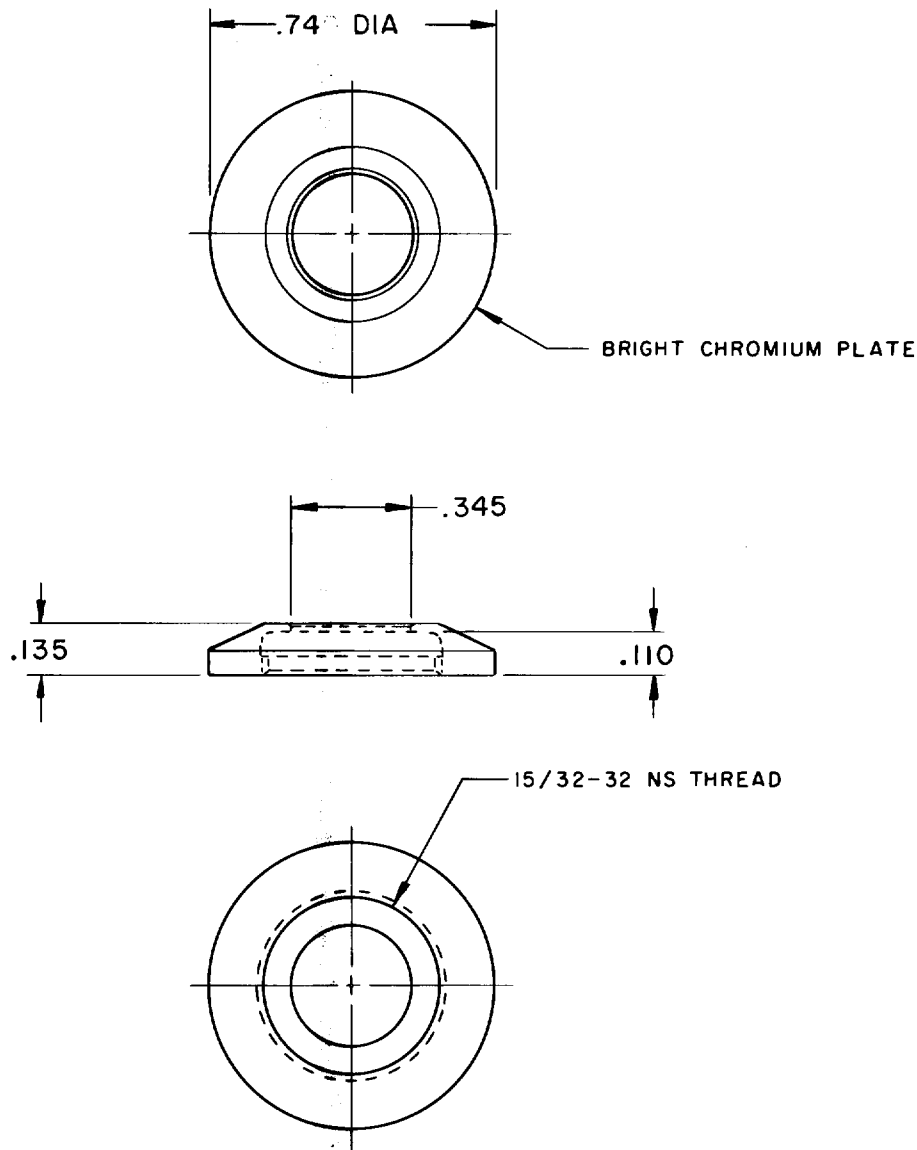
5 FEB 68

5 FEB 68

5 FEB 68

5 FEB 68

5 FEB 68



THIS DRAWING COVERS A PROPRIETARY ITEM AND IS THE PROPERTY OF MICRO SWITCH, A DIVISION OF HONEYWELL. THIS DRAWING IS NOT TO BE COPIED OR USED WITHOUT THE APPROVAL OF MICRO SWITCH.

CHARACTERISTICS

ELECTRICAL DATA

SCALE 2 TO 1

CONTACT ARRANGEMENT

DO NOT SCALE PRINT

UNLESS OTHERWISE NOTED

DIMENSIONS ARE IN INCHES

TOLERANCES ARE:

ONE PLACE	(.0)	±.030
TWO PLACE	(.00)	±.015
THREE PLACE	(.000)	±.008
ANGLES		±.008

WEIGHT

FO-80378-1A

DRAWN

OMW 31 JAN 68