

Interactive Catalog Replaces Catalog Pages

Honeywell Sensing and Control has replaced the PDF product catalog with the new **Interactive Catalog**. The **Interactive Catalog** is a power search tool that makes it easier to find product information. It includes more installation, application, and technical information than ever before.



**Click this icon to try the new
Interactive Catalog.**

Sensing and Control

Honeywell Inc.

11 West Spring Street

Freeport, Illinois 61032

Basic Switches

Auxiliary Actuators Standard Basic



FEATURES

- Additional overtravel
- Quick, easy installation
- Corrosion resistance
- MIL-S-8805 listed units

NOTE: Switches shown are not included with the actuator. All actuators are for use with pin plunger types only except catalog listing JR.

GENERAL INFORMATION

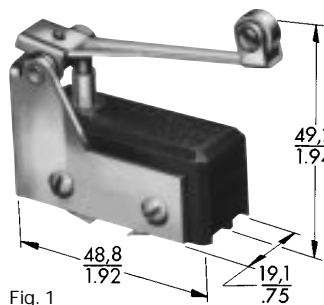
Auxiliary actuators adapt the plunger-type standard basic switches to many application needs. Auxiliary actuators minimize the need for a large inventory of switch types. Actuators and switches are sold as separate items and must be ordered separately. Mounting hardware is furnished with the actuator.

Characteristics:

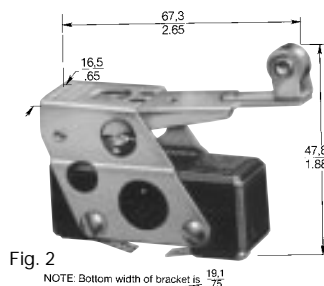
O.T. — Overtravel;
O.P. — Operating Position;
F.P. — Free Position.

ORDER GUIDE

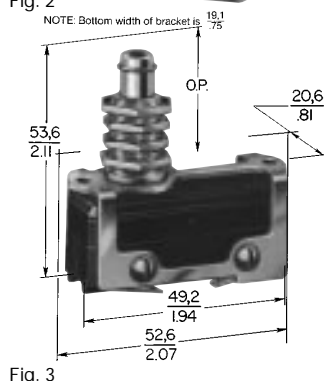
Description	Catalog Listing	Use Only With	O.T. min. mm inches	O.P.* mm inches	F.P. max. mm inches
Roller lever for "S" plunger type BZ and DT switches only. Permits cam operation.	JR	BZ DT	11,1 .437	44,45±3,18 1.75±.125	



Adjustable roller lever. Tang on top of actuator can be bent to adjust O.P. and F.P.	AD5721R (8805/59) AN3169-1	BZ BM	11,1 .437 approx.	31,75-41,15 1.25-1.62	39,6-43,7 1.56-1.72
	ADA3721R	BA BE	9,53 .375 approx.	40,48 1.594 approx.	43,03 1.812
	ADD3721R	DT MT	9,53 .375 approx.	39,6 1.562 approx.	46,03 1.812



Straight plunger. Panel mount.	MC2711 (8805/59) AN3168-2	BZ BM	4,78 .188	27,79 .188	29,4 1.156
	MCA2711	BA BE	3,96 .156	28,17 1.109	30,18 1.188
	MCD2711	DT MT	3,58 .141	27,79 1.094	30,18 1.188



Dimensions shown are for reference only.

Except where stated * ±1,14 mm
±.045 in.

