

X110623-B5

REPLACES

PR-23535

PAGE 1 OF 1

CHECK

CHECK

18 JUN 98

J A F

CHECK

18 JUN 98

DLT

CATALOG LISTING  
**12BS218**

ISSUE

**M**

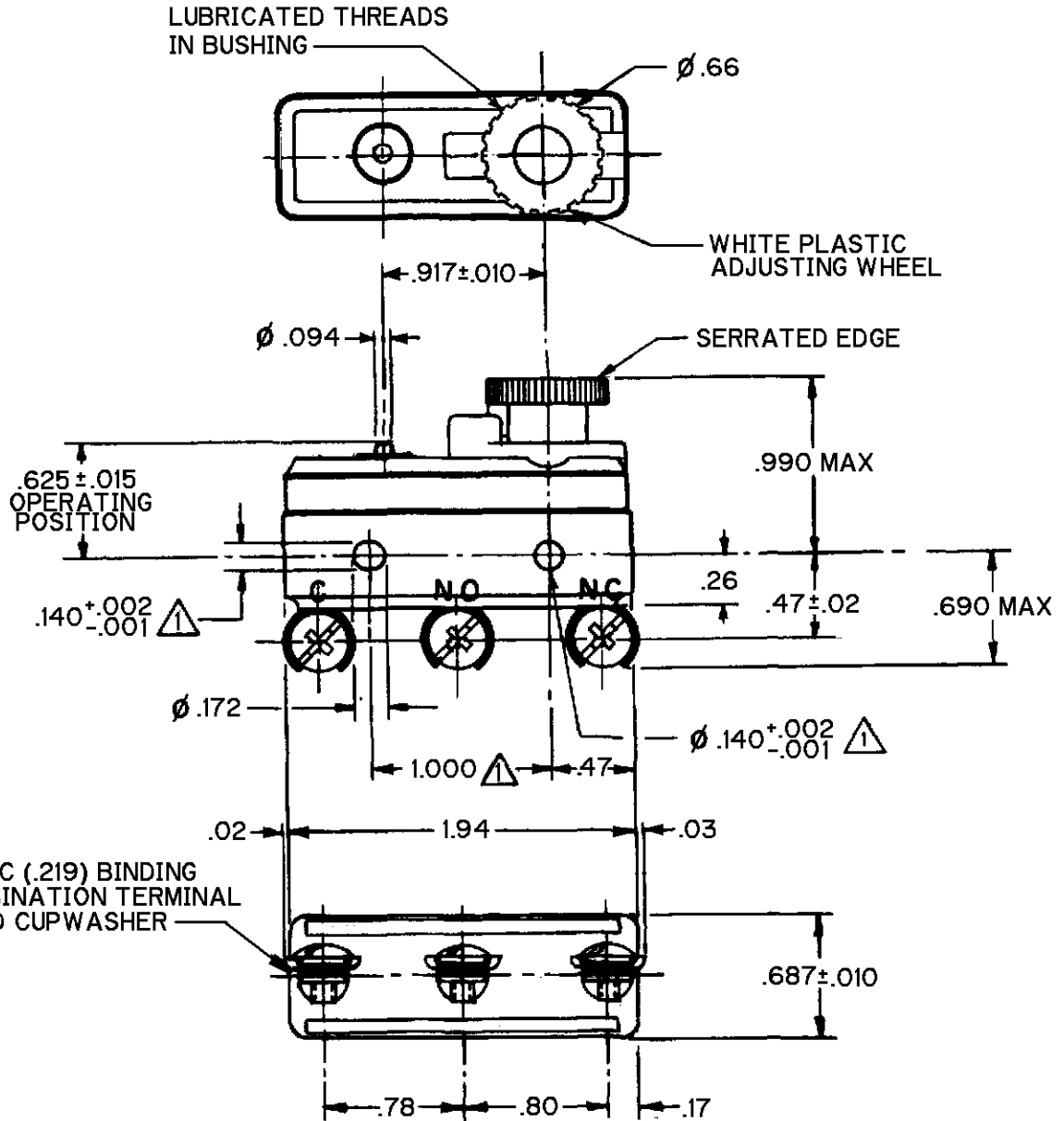
2

REVISIONS

A C095658

DLT  
28 OCT 99

FORMTEK  
DRAWN



3X 8-32 UNC (.219) BINDING HEAD COMBINATION TERMINAL SCREW AND CUPWASHER

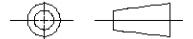
**NOTES**

- 1 MOUNTING HOLES WILL ACCEPT PINS OR SCREWS OF  $\phi .139$  MAX ON  $1.000 \pm .002$  CENTERS
- 2 - DIAL WHEEL IS SHOWN AT THE MAX SETTING OF BREAK DISTANCE
- 3 - DIAL WHEEL ROTATION  $300^\circ$

**ANSI Y14.5M-1982 APPLIES**

THIS DRAWING COVERS A PROPRIETARY ITEM AND IS THE PROPERTY OF MICRO SWITCH, A DIVISION OF HONEYWELL. THIS DRAWING IS NOT TO BE COPIED OR USED WITHOUT THE APPROVAL OF MICRO SWITCH.

THIRD ANGLE PROJECTION



**CHARACTERISTICS**

AT MIN SETTING  
 OPERATING FORCE-----6-10 OZ  
 RELEASE FORCE-----4 OZ MIN  
 DIFFERENTIAL TRAVEL-----.0002-.0005  
 OVERTRAVEL-----.005 MIN

**ELECTRICAL DATA**

CONTACT ARRANGEMENT  
 SPDT  
 UNDERWRITERS' LAB. INC. LISTED RATING  
 -L111-  
 15A-125, 250 OR 277 VAC  
 1/8 HP-125 VAC; 1/4 HP-250 VAC

**SCALE**

DO NOT SCALE PRINT

UNLESS OTHERWISE SPECIFIED TOLERANCES ARE  
 ONE PLACE (.0)  $\pm .030$   
 TWO PLACE (.00)  $\pm .015$   
 THREE PLACE (.000)  $\pm .005$   
 ANGLES  $\pm$

WEIGHT

