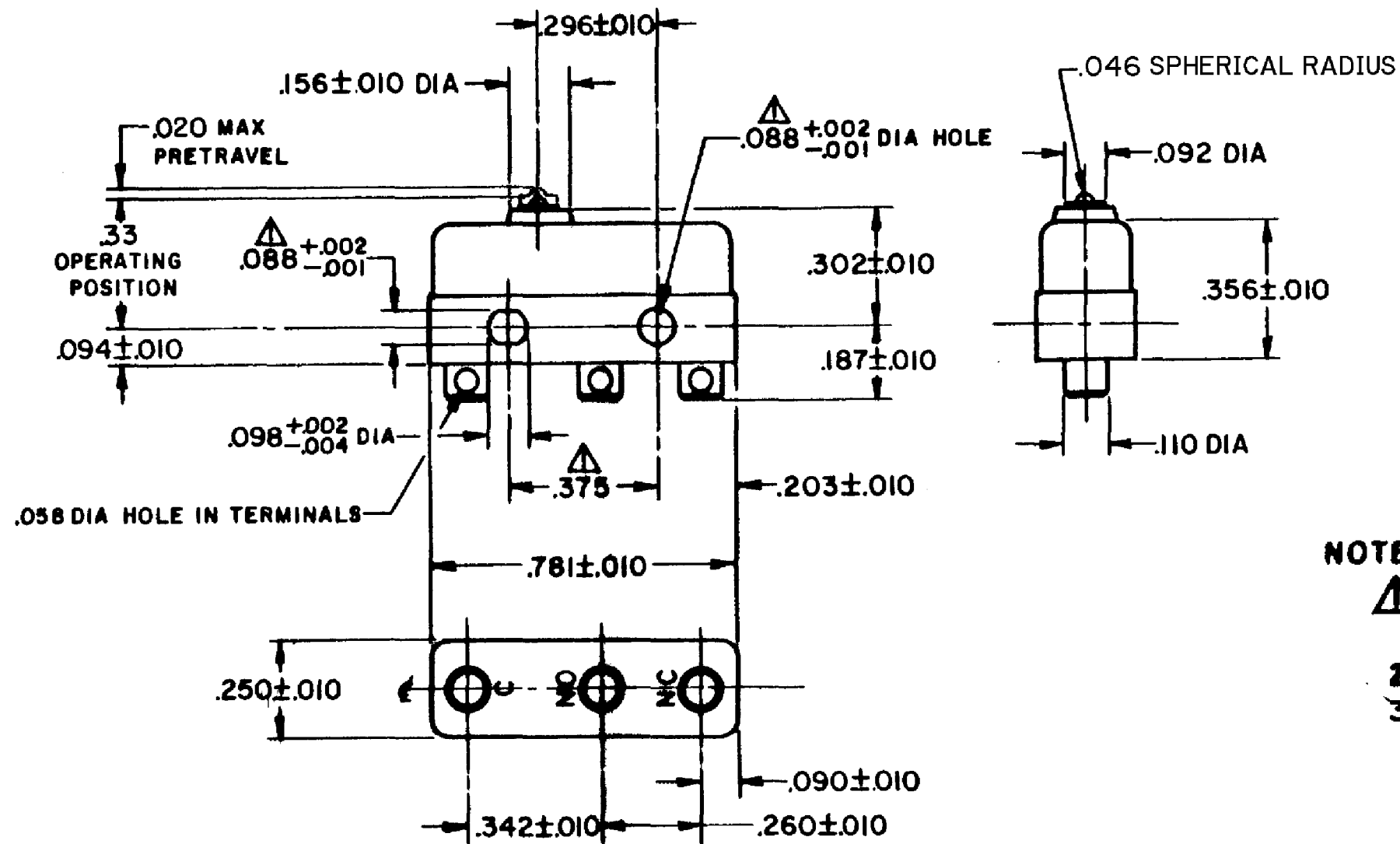
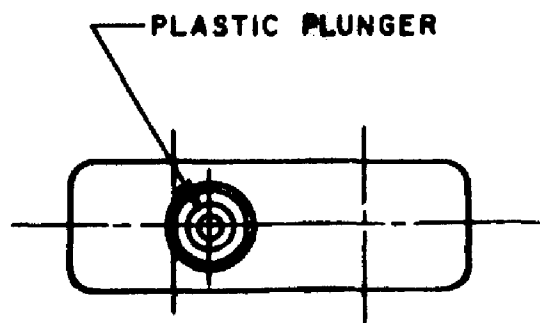


HONEYWELL PART NUMBER
11SM3
PRODUCT CODE TWT0300

REV	DOCUMENT	CHANGED BY	CHECK
11	0038090	VS 28APR08	BLR



**NOTE—**  
 ▲-MOUNTING HOLES WILL ACCEPT PINS OR SCREWS OF .087 MAX DIA ON .375 ± .002 CENTERS  
 2-TERMINALS ARE PLATED FOR SOLDERING  
 3-SWITCH WILL WITHSTAND TEMPERATURE OF 250° F

RELEASE NO.	-
REPLACES	-

CHARACTERISTICS	
OPERATING FORCE	3 - 5 OZ
RELEASE FORCE	1 OZ MIN
DIFFERENTIAL TRAVEL	.004 MAX
OVERTRAVEL	.005 MIN

ELECTRICAL DATA		
CONTACT ARRANGEMENT SPDT		
30 VOLTS DC RATING		
	SEA LEVEL	50,000 FT
INDUCTIVE	3 AMP	2.5 AMP
RESISTIVE	5 AMP	5 AMP
MAXIMUM INRUSH 24 AMP		
APPROVALS	KEMA, CE	5A, 250V ~ T85 1E4
	UL, CSA	5A, 250 VAC

DESIGN UNITS: INCH
TOLERANCES UNLESS NOTED:
NO PLACE X ±
ONE PLACE .X ±
TWO PLACE .XX ±
THREE PLACE .XXX ±
FOUR PLACE .XXXX ±
ANGLES ±
THIRD ANGLE PROJECTION

DRAWN	VK	27 NOV 07
CHECK	RJ	27 NOV 07
THIS DRAWING COVERS A PROPRIETARY ITEM AND IS THE PROPERTY OF HONEYWELL. THIS DRAWING IS NOT TO BE COPIED OR USED WITHOUT THE PERMISSION OF HONEYWELL.		
INTERPRET PER ANSI Y14.5M-1982 OTHER HONEYWELL ENGINEERING STANDARDS MAY APPLY		
RASTER		

<b>Honeywell</b>			
TITLE SWITCH - BASIC			
SIZE	TYPE	DRAWING NAME	REV
B	I	11SM3	11
SCALE	-	WEIGHT .006 LB MAX	SHEET 1 OF 1