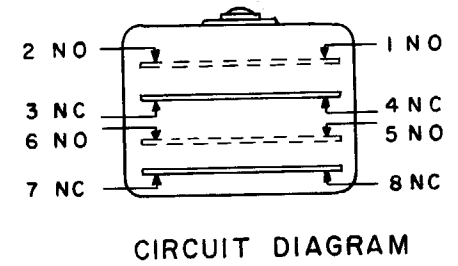


**H MICRO SWITCH**  
 FREEPORT, ILLINOIS, U.S.A.  
 A DIVISION OF HONEYWELL

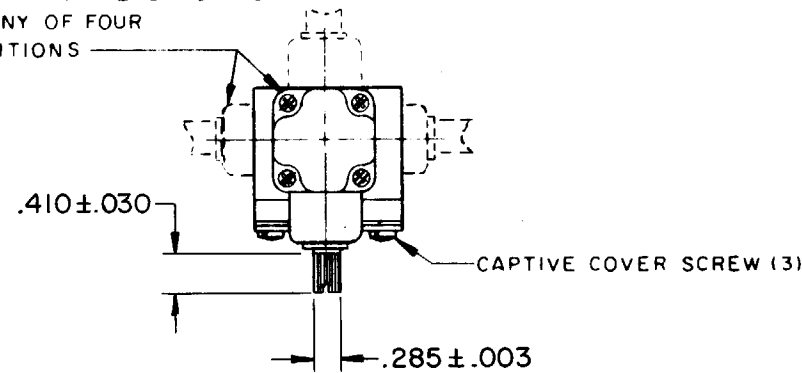
**SWITCH - ENCLOSED**

CATALOG LISTING  
**11LS2**

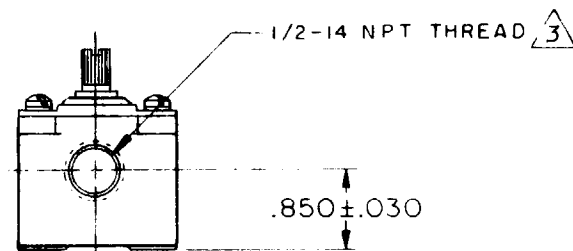
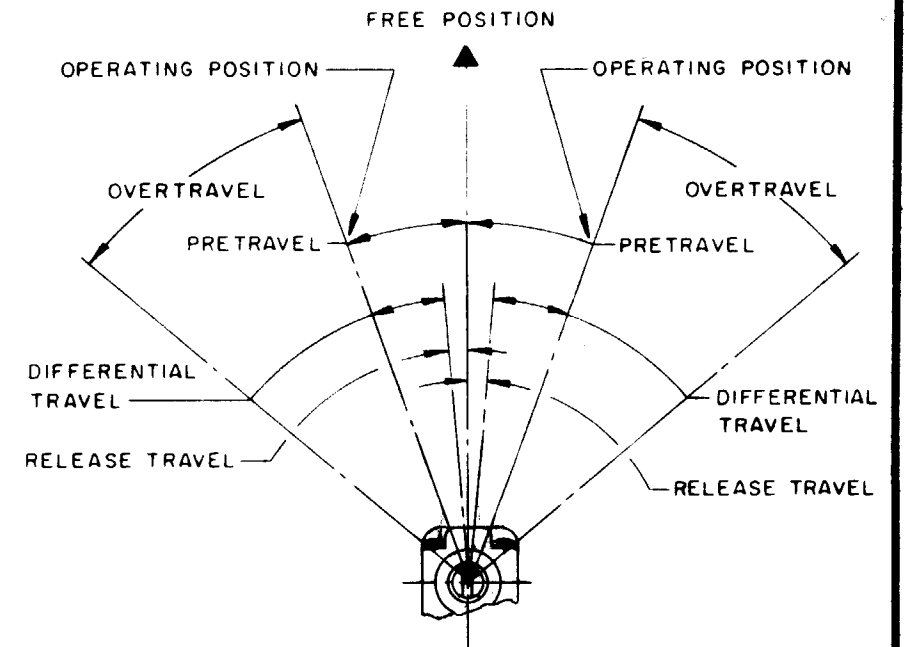
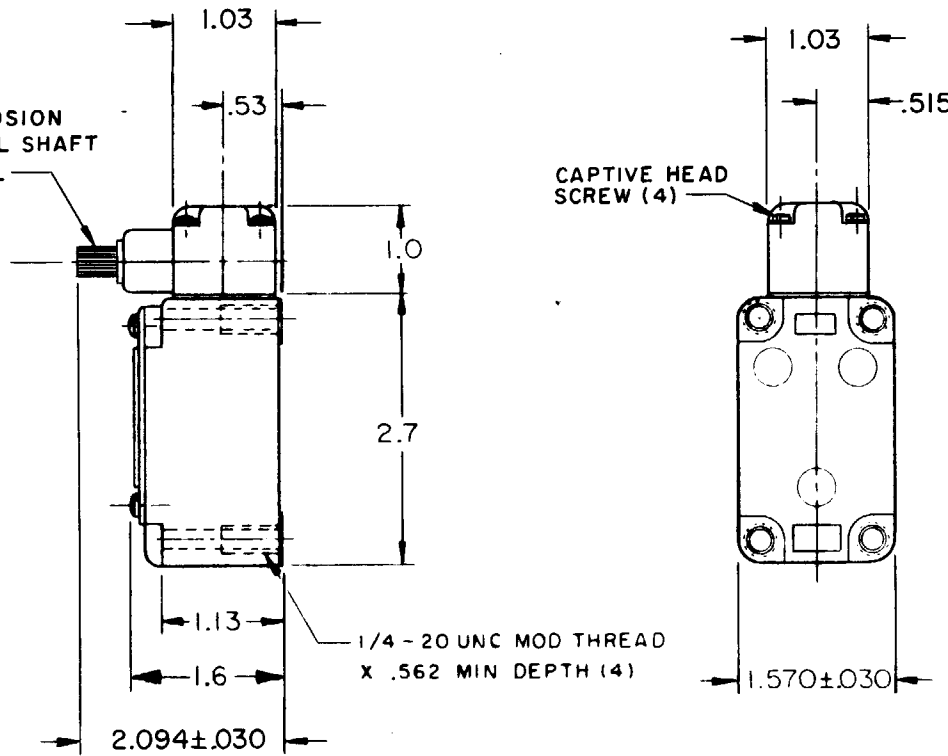
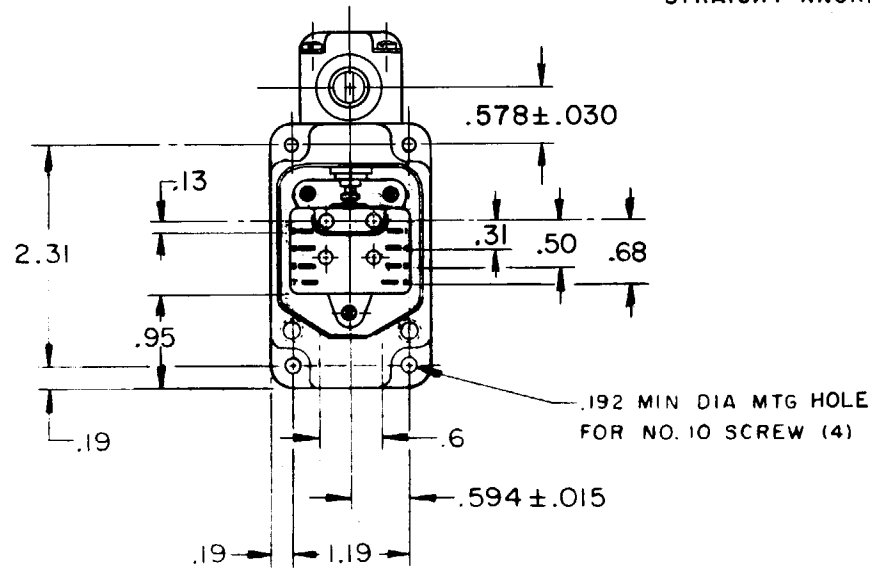
FED. MFG CODE 91929



OPERATING HEAD MOUNTS  
 IN ANY OF FOUR  
 POSITIONS



HARDENED CORROSION  
 RESISTANT STEEL SHAFT  
 STRAIGHT KNURL



THIS DRAWING COVERS A PROPRIETARY ITEM AND IS THE PROPERTY OF MICRO SWITCH, A DIVISION OF MINNEAPOLIS-HONEYWELL REGULATOR CO. THIS DRAWING IS NOT TO BE COPIED OR USED WITHOUT THE APPROVAL OF MICRO SWITCH.

CHARACTERISTICS	ELECTRICAL DATA	SCALE 1/2 TO 1
OPERATING TORQUE ----- 4 1/2 IN LB MAX	CONTACT ARRANGEMENT (SEE CIRCUIT DIAGRAM)	DO NOT SCALE PRINT
FULL OVERTRAVEL TORQUE ----- 6 IN LB MAX	(A) 10A - 125 OR 250 VAC 1/2 HP-125 VAC	UNLESS OTHERWISE NOTED
RELEASE TORQUE ----- 3/4 IN LB MIN		DIMENSIONS ARE IN INCHES
PRETRAVEL ----- 23° MAX		<b>TOLERANCES ARE:</b>
DIFFERENTIAL TRAVEL ----- 16° MAX		ONE PLACE (.0) ± .030
OVERTRAVEL ----- 23° MIN		TWO PLACE (.00) ± .015
RELEASE TRAVEL ----- 4° MIN	THREE PLACE (.000) ± .005	
SWITCH - BASIC REPLACEMENT ----- 8AS42	ANGLES ±	WEIGHT

NOTE -

- SWITCH IS ASSEMBLED FOR ACTUATION IN BOTH DIRECTIONS BUT MAY BE ADJUSTED TO ACTUATE IN EITHER THE CLOCKWISE DIRECTION ONLY OR THE COUNTERCLOCKWISE DIRECTION ONLY
- TO CONVERT SWITCH FOR ACTUATION IN EITHER THE CLOCKWISE OR COUNTERCLOCKWISE DIRECTION ONLY, REMOVE ACTUATOR HEAD AND ROTATE THE NOTCHED PLUNGER 90° TO THE RIGHT FOR CLOCKWISE ACTUATION OR 90° TO THE LEFT FOR COUNTERCLOCKWISE ACTUATION

(3) SEAL TO BE FURNISHED BY USER

11LS2  
 M  
 DRAWING NUMBER  
 X 2  
 X 5  
 ISSUE  
 3  
 REVISIONS  
 A CO24962  
 RER DEC 68  
 B CO32809  
 RER DEC 73  
 C CO50952  
 CJH JUN 83  
 D CO-77031  
 JDB DEC 93  
 RELEASE NO. PR-341  
 CHECK 29 AUG 68  
 CHECK 27 AUG 68  
 DRAWN  
 FO-50378-003