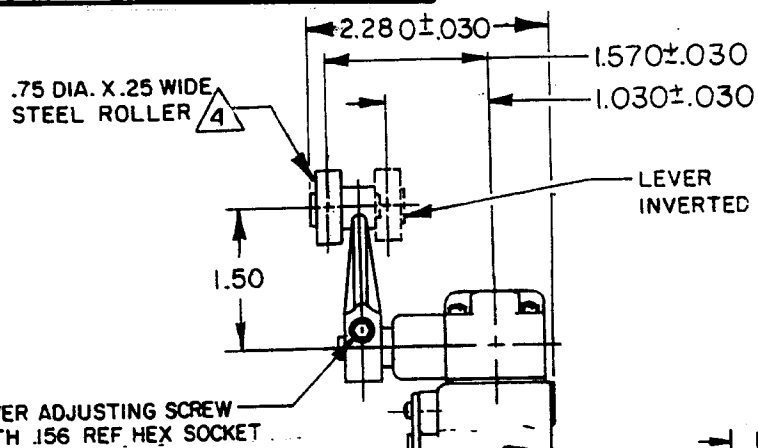
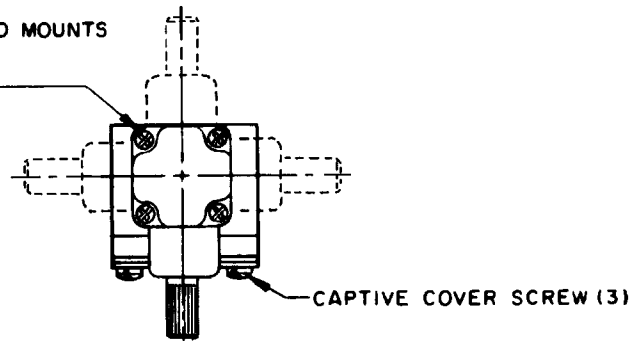
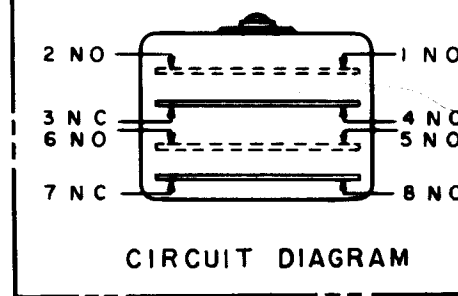
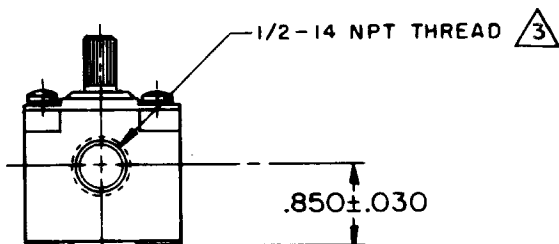
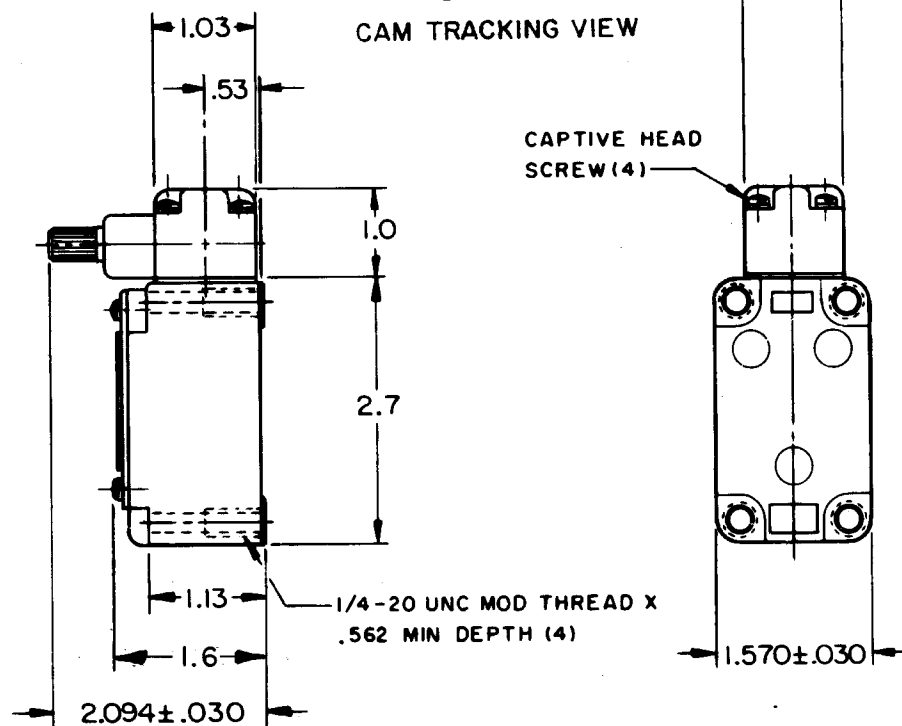
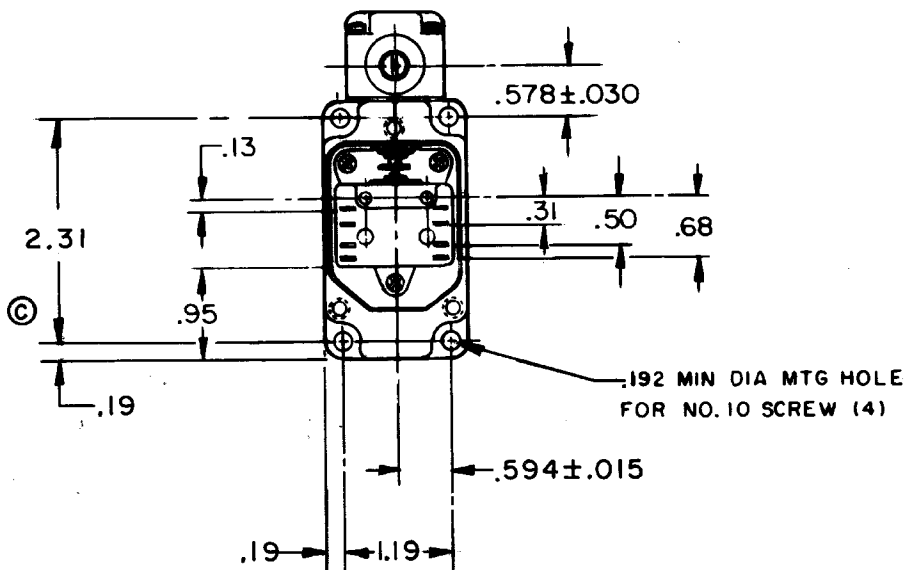
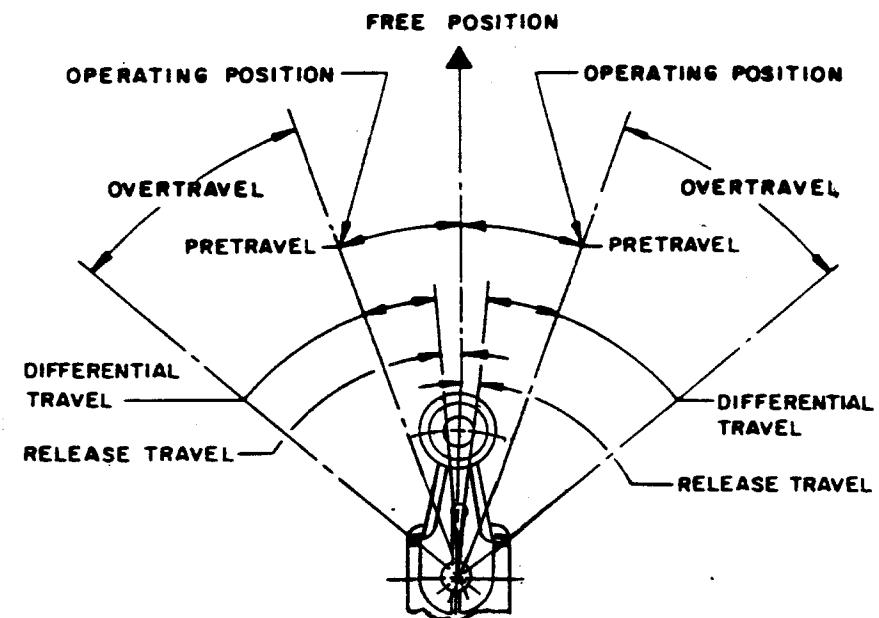


OPERATING HEAD MOUNTS
 IN ANY OF FOUR
 POSITIONS



CAM TRACKING VIEW



11LS1
 M
 DRAWING NUMBER
 17
 ISSUE
 10
 REVISIONS
 A CO18388 CO18785 M B F 14 APR 64
 B CO20461 R E R 1 SEP 65
 C CO20897 M B F 26 JAN 66
 D CO20673 R E R 23 APR 66
 E CO32809 R E R 20 DEC 73
 F CO50952 C J H 3 JUN 83
 G CO70394 J J O 17 JULY 91
 H CO70394-9 D A W 4 SEP '91
 J CO-77031 J D B 22 DEC 93
 K CO-78083 8 J W 18 JAN 95
 PO-80378-003
 DRAWN
 M B F 14 APR 64
 CHECK
 D A W 15 APR 64
 CHECK
 D A W 15 APR 64
 REPLACES
 P E L A S E N O .
 CHECK

THIS DRAWING COVERS A PROPRIETARY ITEM AND IS THE PROPERTY OF MICRO SWITCH, A DIVISION OF MINNEAPOLIS-HONEYWELL REGULATOR CO. THIS DRAWING IS NOT TO BE COPIED OR USED WITHOUT THE APPROVAL OF MICRO SWITCH.

CHARACTERISTICS	ELECTRICAL DATA	SCALE 1/2 TO 1
OPERATING TORQUE - - 4.5 IN-LB MAX	CONTACT ARRANGEMENT (SEE CIRCUIT DIAGRAM)	DO NOT SCALE PRINT
FULL OVERTRAVEL TORQUE - 6 IN-LB MAX	(B) 10 A-125 OR 250 VAC 1/2 HP-125 VAC	UNLESS OTHERWISE NOTED DIMENSIONS ARE IN INCHES
RELEASE TORQUE - - .75 IN-LB MIN		TOLERANCES ARE:
PRETRAVEL - - - - - 23° MAX		ONE PLACE (.0) ±.030
DIFFERENTIAL TRAVEL - - - 16° MAX		TWO PLACE (.00) ±.015
OVERTRAVEL - - - - - 23° MIN		THREE PLACE (.000) ±.008
RELEASE TRAVEL - - - - - 4° MIN		ANGLES ±
SWITCH-BASIC REPLACEMENT - - - 8AS42		WEIGHT 9 OZ

- NOTE-
- SWITCH IS ASSEMBLED FOR ACTUATION IN BOTH DIRECTIONS BUT MAY BE ADJUSTED TO ACTUATE IN EITHER THE CLOCKWISE DIRECTION ONLY OR THE COUNTERCLOCKWISE DIRECTION ONLY
 - TO CONVERT SWITCH FOR ACTUATION IN EITHER THE CLOCKWISE OR COUNTERCLOCKWISE DIRECTION ONLY, REMOVE ACTUATOR HEAD AND ROTATE THE NOTCHED PLUNGER 90° TO THE RIGHT FOR CLOCKWISE ACTUATION OR 90° TO THE LEFT FOR COUNTERCLOCKWISE ACTUATION
- (3) SEAL TO BE FURNISHED BY USER.
 (4) ROLLER LEVER MAY BE LOCKED IN ANY POSITION THRU 360°
 5- LEVER FURNISHED UNASSEMBLED IN UNIT PACKING BOX