

MICRO SWITCH

FREEPORT, ILLINOIS, U S A
A DIVISION OF HONEYWELL
FED. MFG. CODE 91929

SWITCH-TOGGLE

CATALOG LISTING
102TL2 SERIES
CHART 2

MILITARY STANDARD NUMBER
6

CATALOG LISTING
6

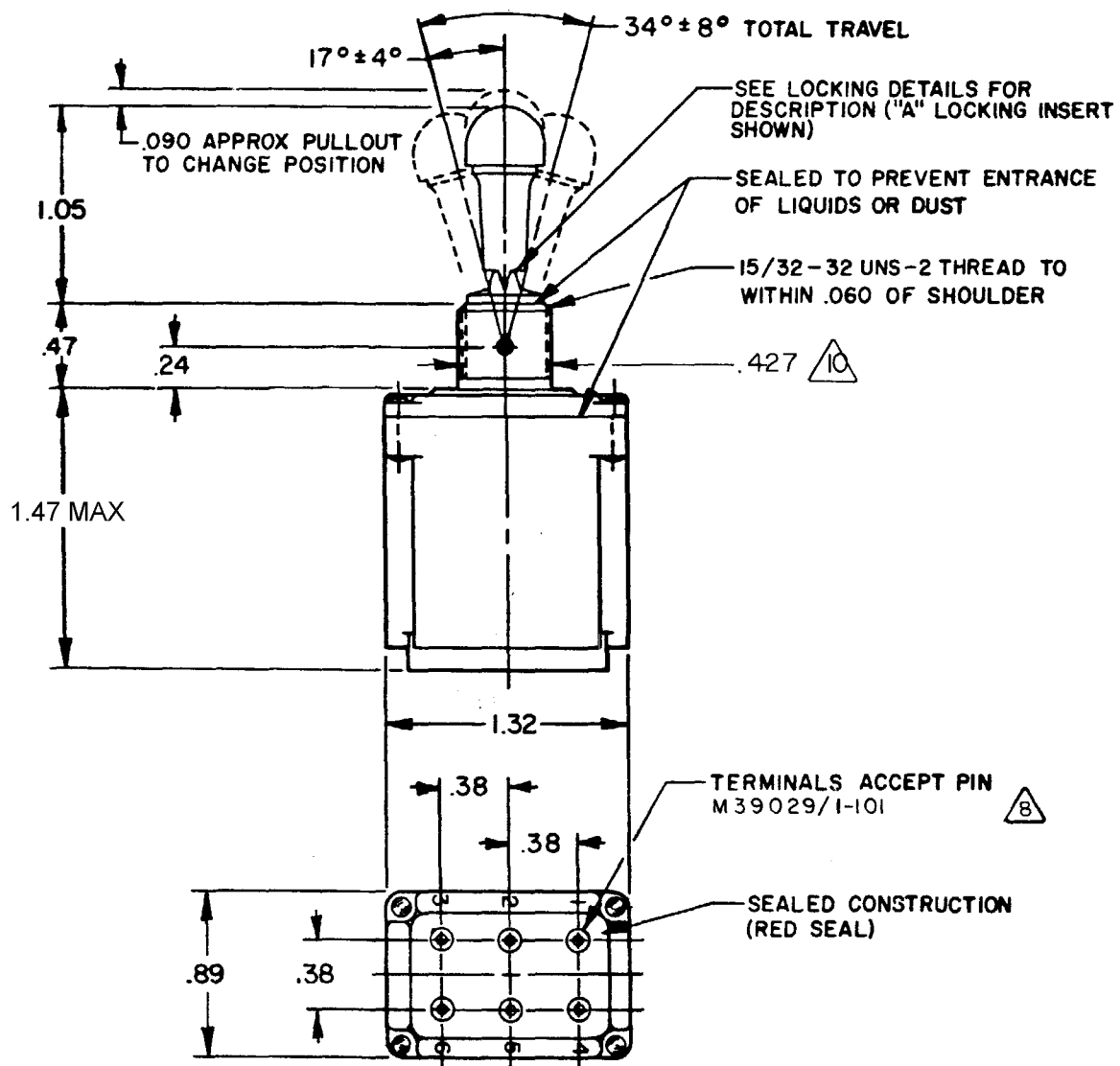
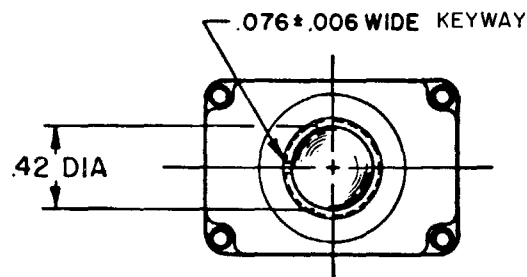
AVAILABLE LOCKING COMBINATIONS FOR CONFIGURATION SEE LETTERED DETAILS

CIRCUIT MADE WITH TOGGLE LEVER IN
KEYWAY SIDE (1-2, 4-5) CENTER (1-2, 4-5) OPPOSITE KEYWAY (2-3, 5-6)

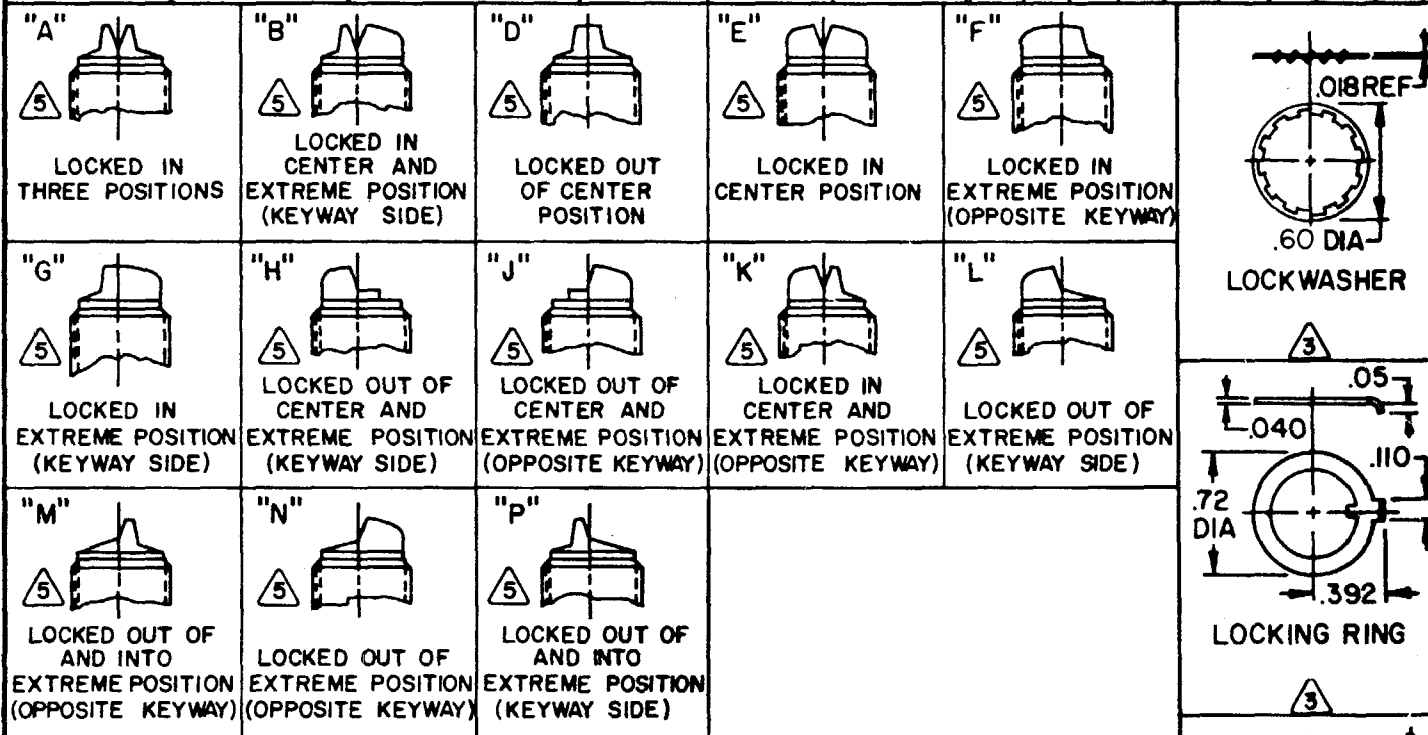
MILITARY RATING (AMPS)

RESISTIVE LOAD		LAMP LOAD		INDUCTIVE LOAD	
DC VOLTS	AC VOLTS	28 VDC	125 VAC	28 VDC	125 VAC
28	125	250	125	250	250

THIS DRAWING COVERS A PROPRIETARY ITEM AND IS THE PROPERTY OF MICRO SWITCH, A DIVISION OF HONEYWELL. THIS DRAWING IS NOT TO BE COPIED OR USED WITHOUT THE APPROVAL OF MICRO SWITCH.



MS27788-21	102TL2-1	A,B,D,E,F,G,H,J,K,L,M,N,P	ON	OFF	ON													
MS27788-22	102TL2-2	D, F, G	OFF	NONE	ON													
MS27788-23	102TL2-3	D, F, G	ON	NONE	ON	7.5	.75	.5	7.5	6	7	4	7.5	7.5				
MS27788-24	102TL2-21	E, F, K, M	NONE	OFF	ON													
MS27788-33	102TL2-31	E, F, K, M	NONE	ON	ON													
MS27788-29	102TL2-4	F	MOM OFF	NONE	ON													
MS27788-31	102TL2-5	E, F, K, L, M, N	MOM ON	OFF	ON													
MS27788-30	102TL2-6	F	MOM ON	NONE	OFF													
MS27788-27	102TL2-7	E, L, N	MOM ON	OFF	MOM ON	7.5	.75	.5	7.5	6	5	2	7.5	7.5				
MS27788-26	102TL2-8	F	MOM ON	NONE	ON													
MS27788-32	102TL2-51	E	NONE	ON	MOM ON													
MS27788-28	102TL2-61	E	MOM ON	OFF	NONE													



NOTES

- SWITCHES ARE CAPABLE OF WITHSTANDING A TEMPERATURE OF 160°F CONTINUOUSLY AT FULL RATED LOAD
- CIRCUIT DESIGNATION, MICRO SWITCH CATALOG LISTING, DATE CODE AND MS NUMBER IDENTIFIED ON SIDE OF SWITCH
- FURNISHED UNASSEMBLED
- THESE SWITCHES ARE QUALIFIED UNDER MIL-S-3950
- KEYWAY SHOWN ON LEFT SIDE
- SUFFIX LETTER MUST BE ADDED FOR DESIRED TYPE OF TOGGLE LOCKING. SEE CHART FOR AVAILABLE LOCKING COMBINATIONS
- APPLIES ONLY TO "ON" AND "MOM ON" POSITIONS
- THE SEALING GROMMET SHALL SEAL ON A SMOOTH WIRE INSULATION OF .040 TO .083 DIAMETERS (16-20 GAGE)
- UNUSED TERMINAL HOLES MAY BE SEALED WITH PLUGS M83723/28-20
- FROM BOTTOM OF KEYWAY TO MAJOR DIA. OF 15/32 THREAD

CATALOG LISTING
M 102TL2 SERIES CHART 2
PAGE 1 OF 1

ISSUE
18

REVISIONS

A	CO	38392	14 FEB 78
B	CO	49070	18 MAY 81
C	CO	50496	16 NOV 81
D	CO	56074	26 NOV 84
E	CO	57478	12 JUL 85
F	CO	92297	13 FEB 98
G	CO	93999	7 JUL 99
H	CO	201413	3 OCT 00

SCALE FULL
DO NOT SCALE PRINT
UNLESS OTHERWISE NOTED
DIMENSIONS ARE IN INCHES
TOLERANCES ARE:
ONE PLACE (.0) H .030
TWO PLACE (.00) H .015
THREE PLACE (.000) H .005
ANGLES H .015
WEIGHT .135 LB MAX

RASTER

RELEASE NO. PR-3545
CHECK 1 APR 78
CHECK 21 APR 78
CHECK 14 FEB 78