

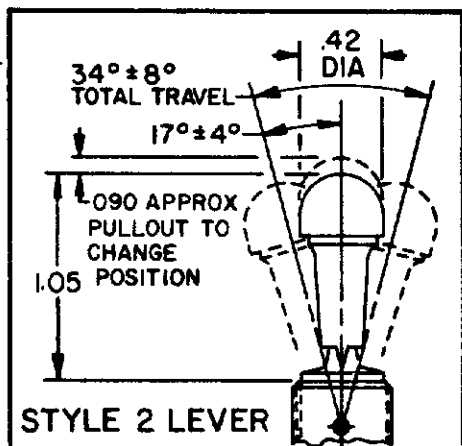
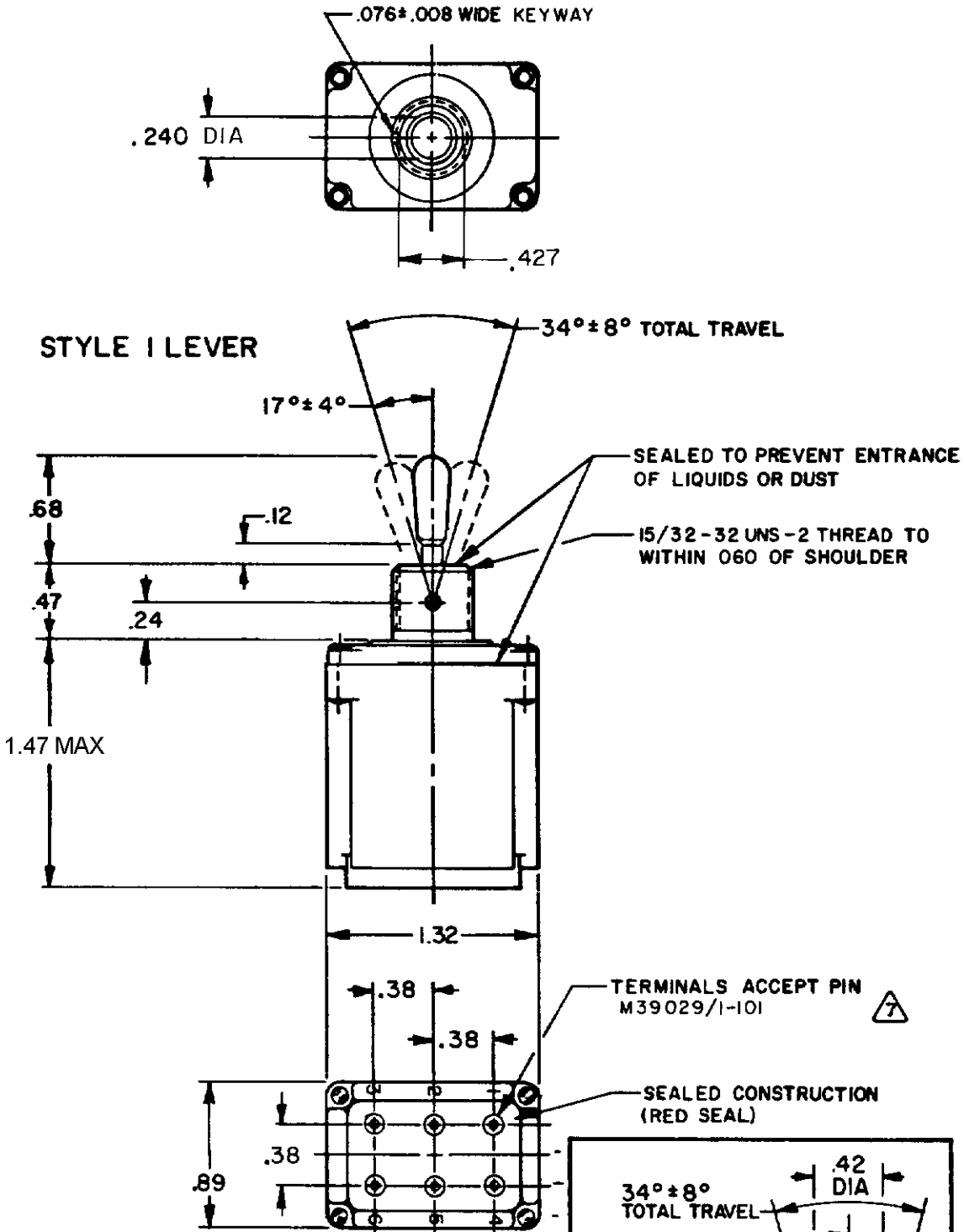
CATALOG LISTING  
**M102TL2-10** SERIES CHART 1  
 PAGE 1 OF 1  
 ISSUE 4  
 REVISIONS  
 A C092297 JAK 13 FEB 98  
 B C093999 JJA 7 JULY 99  
 C 201413 CSL 4 OCT 00  
 DRAWN RASTER  
 JUN 94 CHECK KAG 23 JUN 94 CHECK

**MICRO SWITCH**  
 FREEPORT ILLINOIS U S A  
 A DIVISION OF HONEYWELL  
 FED. MFG. CODE 91928

**SWITCH-TOGGLE**

CATALOG LISTING  
**102TL2-10 SERIES**  
 CHART 1

THIS DRAWING COVERS A PROPRIETARY ITEM AND IS THE PROPERTY OF MICRO SWITCH, A DIVISION OF HONEYWELL. THIS DRAWING IS NOT TO BE COPIED OR USED WITHOUT THE APPROVAL OF MICRO SWITCH



SCALE FULL  
 DO NOT SCALE PRINT  
 UNLESS OTHERWISE NOTED  
 DIMENSIONS ARE IN INCHES  
**TOLERANCES ARE.**  
 ONE PLACE (.0) ±.080  
 TWO PLACE (.00) ±.015  
 THREE PLACE (.000) ±.008  
 ANGLES  
 WEIGHT .135 LB MAX

MS NUMBER	CATALOG LISTING	AVAILABLE LOCKING COMBINATIONS FOR CONFIGURATION SEE LETTERED DETAILS	STYLE NUMBER	CURRENT CAPACITY (AMPS)								
				RESISTIVE LOAD				LAMP LOAD		INDUCTIVE LOAD		
				DC VOLTS	AC VOLTS	28 VDC	125 VAC	28 VDC	125 VAC			
27785-1	102TL2-10	NONE	1	20	.75	.5	15	6	7	4	15	15
27788-1	102TL2-10	A,B,D,E,F,G,H,J,K,L,M,N,P	2									

"A" LOCKED IN THREE POSITIONS	"B" LOCKED IN CENTER AND EXTREME POSITION (KEYWAY SIDE)	"D" LOCKED OUT OF CENTER POSITION	"E" LOCKED IN CENTER POSITION	"F" LOCKED IN EXTREME POSITION (OPPOSITE KEYWAY)
"G" LOCKED IN EXTREME POSITION (KEYWAY SIDE)	"H" LOCKED OUT OF CENTER AND EXTREME POSITION (KEYWAY SIDE)	"J" LOCKED OUT OF CENTER AND EXTREME POSITION (OPPOSITE KEYWAY)	"K" LOCKED IN CENTER AND EXTREME POSITION (OPPOSITE KEYWAY)	"L" LOCKED OUT OF EXTREME POSITION (KEYWAY SIDE)
"M" LOCKED OUT OF AND INTO EXTREME POSITION (OPPOSITE KEYWAY)	"N" LOCKED OUT OF EXTREME POSITION (OPPOSITE KEYWAY)	"P" LOCKED OUT OF AND INTO EXTREME POSITION (KEYWAY SIDE)		

CIRCUIT MADE WITH TOGGLE LEVER IN		
KEYWAY SIDE	CENTER	OPPOSITE KEYWAY
MAINTAINED POSITION	MAINTAINED POSITION	MAINTAINED POSITION


- NOTES**
- SWITCHES ARE CAPABLE OF WITHSTANDING A TEMPERATURE OF 160°F CONTINUOUSLY AT FULL RATED LOAD
  - CIRCUIT DESIGNATION, MICRO SWITCH CATALOG LISTING, DATE CODE AND MS NUMBER IDENTIFIED ON SIDE OF SWITCH
  - FURNISHED UNASSEMBLED
  - UNUSED TERMINAL HOLES MAY BE SEALED WITH PLUGS M83723/28-20
  - KEYWAY SHOWN ON LEFT SIDE
  - SUFFIX LETTER MUST BE ADDED FOR DESIRED TYPE TOGGLE LOCKING
  - THE SEALING GROMMET SHALL SEAL ON A SMOOTH WIRE INSULATION OF .040 TO .083 DIAMETERS (16-20 GAGE)