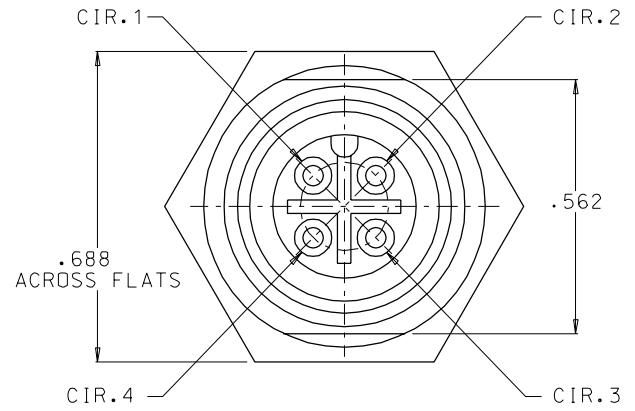
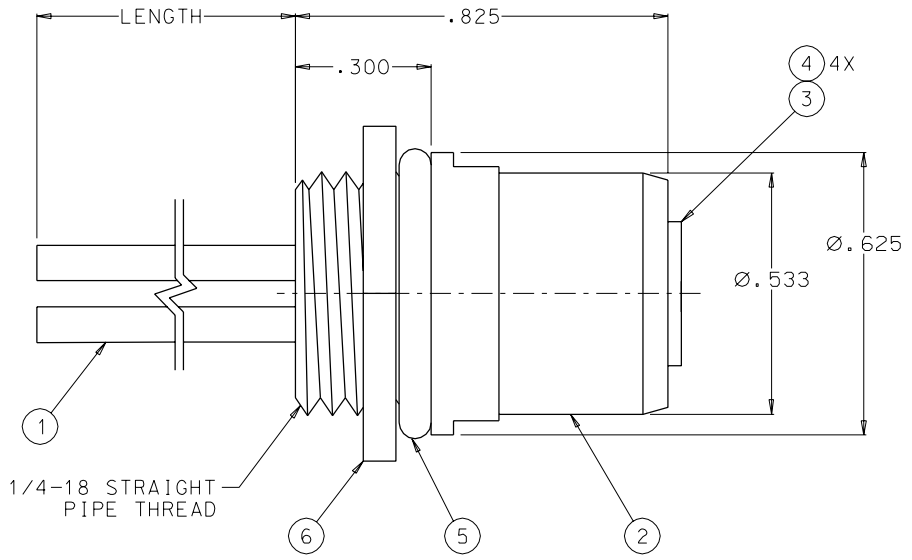


PART NO.	(ENG. NO.)	LENGTH
845831016	07482Y47	12"

REV	DATE	ECN NO.	APPVD BY	REL BY
E	1-16-01	UM2001-0212		



BRN	P1
WHT	1
BLU	2
BLK	3
	4

WIRING DIAGRAM

6	1	LOCKNUT	STEEL/ZINC PLATED
5	1	O-RING	BUNA-N/COLOR:BLACK
4	4	CONTACT, SOCKET	BRASS/TIN PLATED
3	1	INSERT, SOCKET, 4/C	NYLON/COLOR:BLACK
2	1	RECEPTACLE SHELL	BRASS/NICKEL PLATED
1	A/R	WIRE, 18 AWG.	PVC INSULATED
ITEM	QTY	DESCRIPTION	MATERIAL/FINISH

QUALITY SYMBOLS MAJOR = CRITICAL = SPC =	UNLESS SPECIFIED: ALL DIMENSIONS IN INCHES	SCALE 2:1 DWG SIZE B	THIRD ANGLE PROJECTION	REVISE ON CAD ONLY	
	GENERAL TOLERANCES: 3 PLACE ±.005 2 PLACE ±.01 ANGULAR ±2°	DRAWN BY & DATE DW 6-3-94	TITLE: MICRO-C, RECEPTACLE, DC KEY, FEMALE, 4 POLE, 18 AWG.		
	Uti-Mate CAGE CODE 58967	APPROVED BY & DATE DW 6-3-94	MOLEX INCORPORATED Orange, CA 92868		
		PART NO. SEE CHART DRAWING NO. SD-84583-1016	SHEET NO. 1 OF 1	REV E	