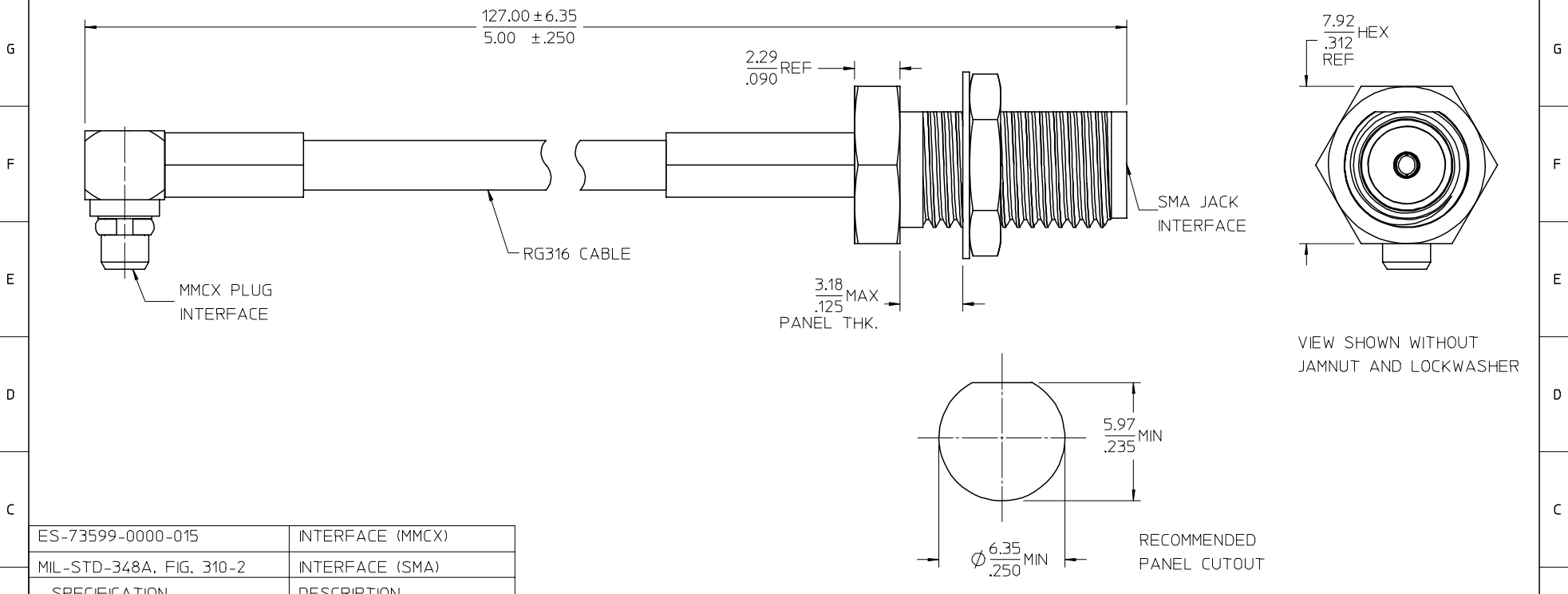


MATERIALS AND FINISHES:

J	MMCX (MOLEX 73415-1121)	SMA (MOLEX 73251-2081)
I	BODY, CRIMP TUBE BRASS PLATED GOLD	BODY, CRIMP TUBE, JAMNUT BRASS PLATED GOLD
H	CENTER CONTACT BRASS PLATED GOLD	CENTER CONTACT BERYLLIUM COPPER PLATED GOLD
G	INSULATOR TEFLON	INSULATOR TEFLON
F	SNAP RING BERYLLIUM COPPER PLATED GOLD	LOCKWASHER PHOSPHOR BRONZE PLATED GOLD



ES-73599-0000-015	INTERFACE (MMCX)
MIL-STD-348A, FIG. 310-2	INTERFACE (SMA)
SPECIFICATION	DESCRIPTION

B	CHG: NEW RELEASE FC NO: URF2008-0270 DRAWN: SHAH 2007/11/15 CHKD: ROBERTSON 2007/11/15 APPR: JIMENER 2007/11/15	QUALITY SYMBOLS =0 =0	GENERAL TOLERANCES (UNLESS SPECIFIED)		DIMENSION STYLE MM/IN		SCALE	DESIGN UNITS METRIC	THIRD ANGLE PROJECTION	
			4 PLACES ± --- ± ---	3 PLACES ± --- ± ---	2 PLACES ± --- ± ---	1 PLACE ± --- ± ---	ANGULAR ± 2 °	DRAWN BY SSS	DATE 2007/10/16	TITLE CA, MMCX P RA/SMA J BLKH RG316, EWR-3459 CA-MMCX/SMA
A	A	DESCRIPTION	DRAFT WHERE APPLICABLE MUST REMAIN WITHIN DIMENSIONS		MATERIAL NO. 734194660		DOCUMENT NO. SD-73419-466		SHEET NO. 1 OF 1	
			THIS DRAWING CONTAINS INFORMATION THAT IS PROPRIETARY TO MOLEX INCORPORATED AND SHOULD NOT BE USED WITHOUT WRITTEN PERMISSION							