

MATERIALS AND FINISHES

BODY REAR BRASS
PLATED TIN

BODY FRONT BRASS
PLATED NICKEL

CENTER CONTACT PHOSPHOR BRONZE/BRASS
PLATED GOLD

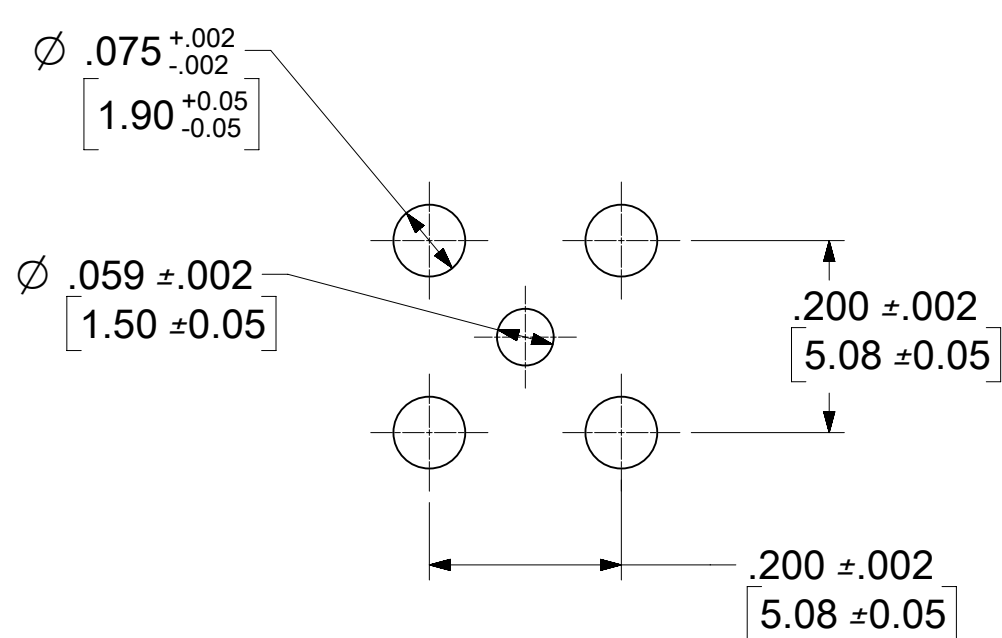
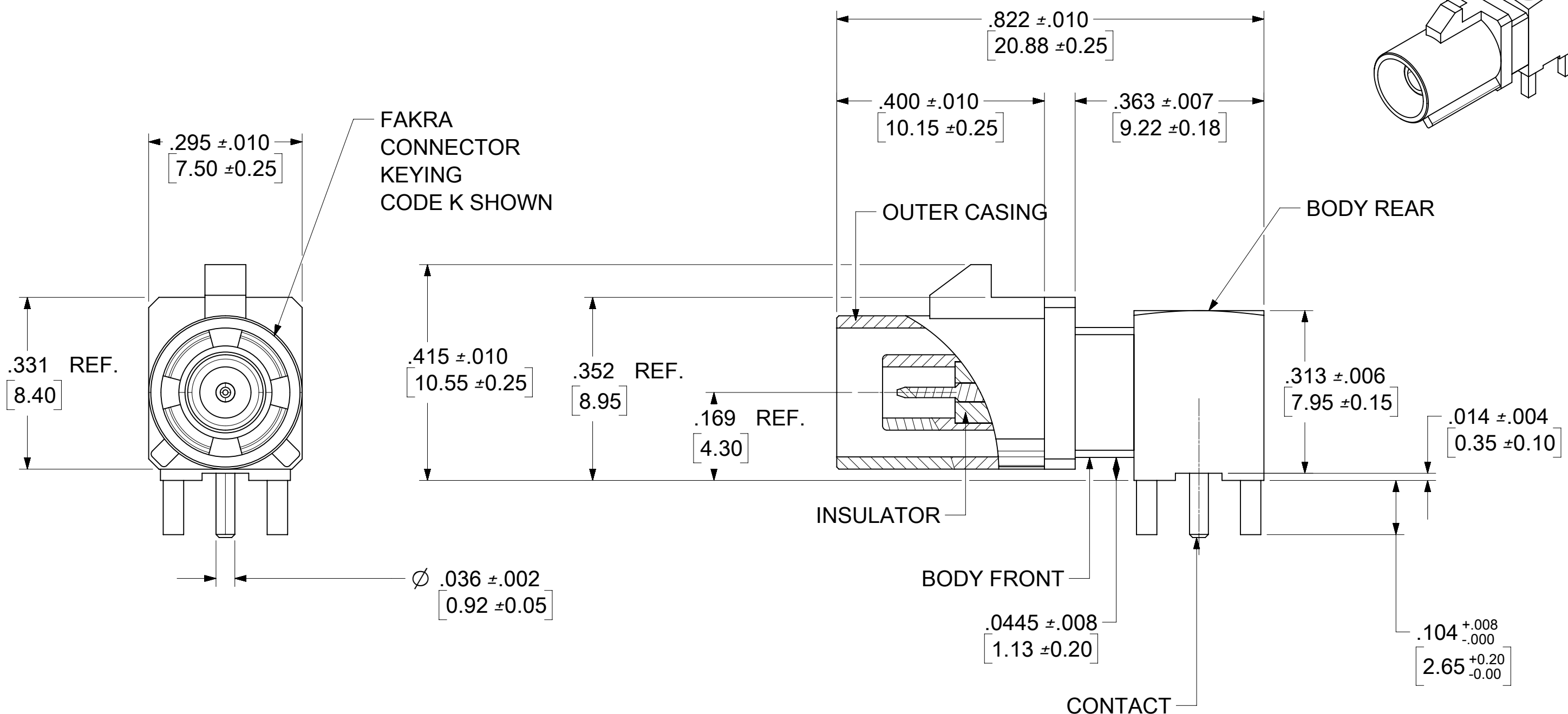
OUTER CASING HIGH TEMPERATURE PLASTIC
KEYING SEE TABLE
COLOR SEE TABLE

INSULATOR TEFLON

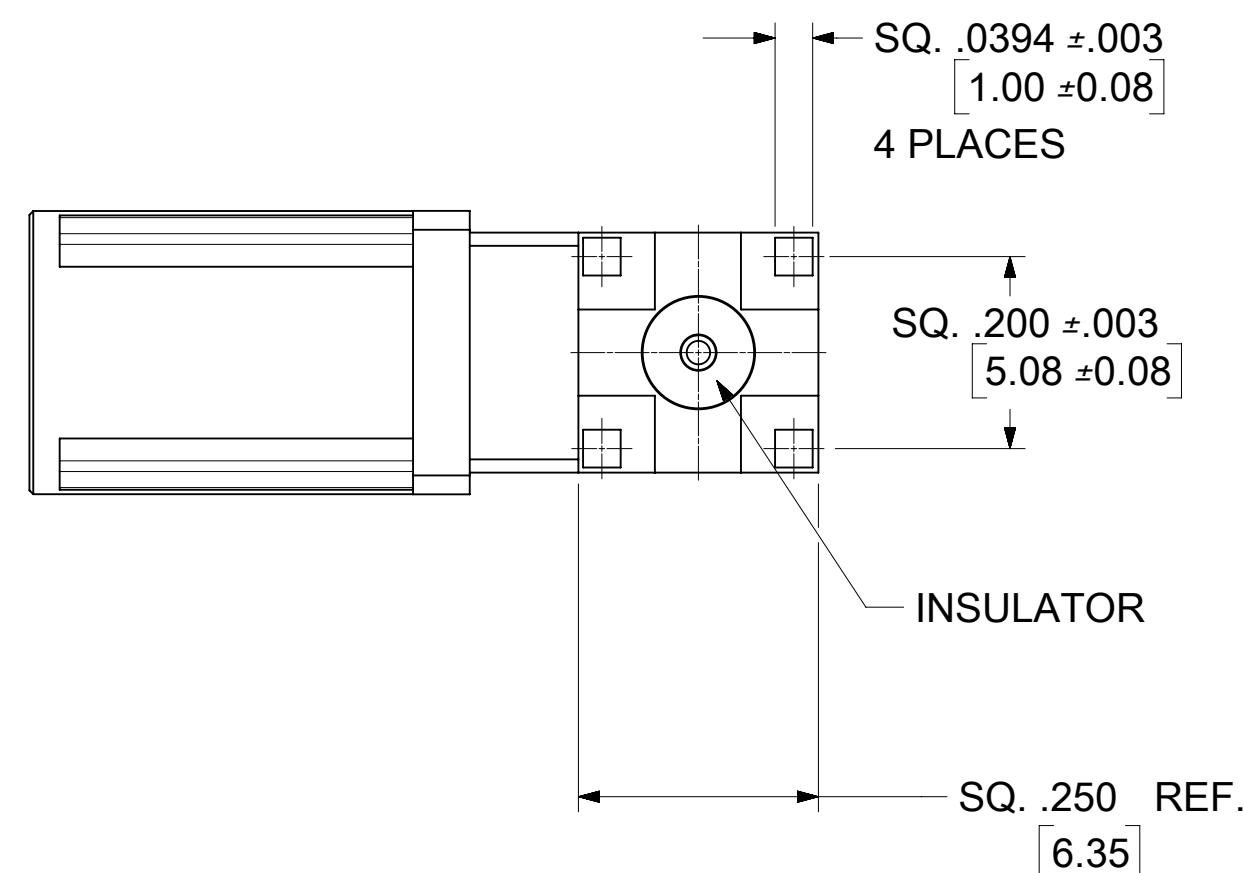
PACKAGING BY TRAY

RETENTION SPECIFICATION

THE FAKRA CONNECTOR SHROUD WILL WITHSTAND
A LONGITUDINAL FORCE OF 110 N (24.75 LBS)



RECOMMENDED PCB LAYOUT



| | |
|--------------------------|-------------------------|
| PS-89675-3310 | PRODUCT SPECIFICATION |
| MIL-STD-348A, FIG. 311.1 | INTERFACE SPECIFICATION |
| SPECIFICATION | DESCRIPTION |

| | | |
|------------|------|----------------------------------|
| 2018/03/19 | A7 | REDRAWN AND ADDED DIM. PER 11863 |
| 2017/01/05 | A6 | REDRAWN |
| DATE | REV. | DESCRIPTION |

| | | | |
|-----------------|----|--------------|---------------------|
| DOCUMENT STATUS | P1 | RELEASE DATE | 2018/03/23 02:05:33 |
|-----------------|----|--------------|---------------------|

| | | | |
|--------------|--|---|--------------------------|
| SYMBOLS | | THIS DRAWING CONTAINS INFORMATION THAT IS PROPRIETARY TO MOLEX ELECTRONIC TECHNOLOGIES, LLC AND SHOULD NOT BE USED WITHOUT WRITTEN PERMISSION | |
| $\nabla = 0$ | DIMENSION UNITS | SCALE | CURRENT REV DESC: |
| $\nabla = 0$ | HYBRID | 5:1 | |
| $\nabla = 0$ | GENERAL TOLERANCES (UNLESS SPECIFIED) | | |
| $\nabla = 0$ | ANGULAR TOL | ± 2.0° | EC NO: 173804 |
| $\nabla = 0$ | 4 PLACES | ± | DRWN: ELIN 2018/03/19 |
| $\nabla = 0$ | 3 PLACES | ± | CHK'D: YCHENG 2018/03/23 |
| $\nabla = 0$ | 2 PLACES | ± | APPR: YCHENG 2018/03/23 |
| $\nabla = 0$ | 1 PLACE | ± | INITIAL REVISION: |
| $\nabla = 0$ | 0 PLACES | ± | DRWN: SCHOU 2009/01/21 |
| $\nabla = 0$ | DRAFT WHERE APPLICABLE MUST REMAIN WITHIN DIMENSIONS | | APPR: MHUANG 2009/01/23 |
| $\nabla = 0$ | THIRD ANGLE PROJECTION | DRAWING | SERIES |
| | | C-SIZE | 73403 |
| | | MATERIAL NUMBER | CUSTOMER |
| | | SD-73403-511 | GENERAL MARKET |
| | | DOC TYPE | DOC PART |
| | | PSD | 001 |
| | | REVISION | A7 |
| | | SHEET NUMBER | 1 OF 2 |

molex

SMB JACK, FAKRA R/A
PCB, 50 OHMS 11863 SMB-J/PCB/RA

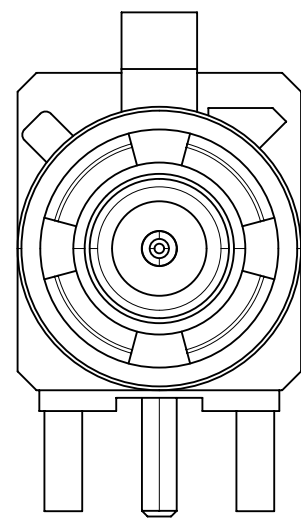
PRODUCT CUSTOMER DRAWING

SD-73403-511

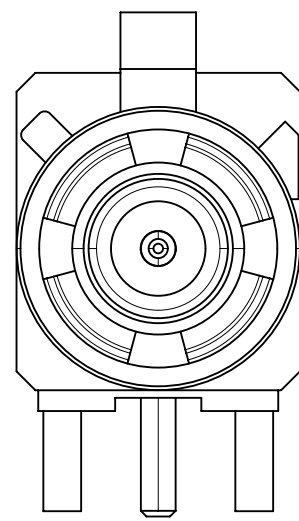
PSD 001 A7

GENERAL MARKET

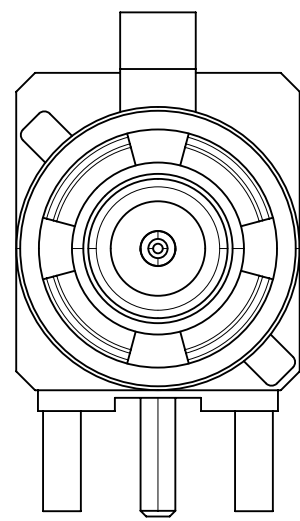
1 OF 2



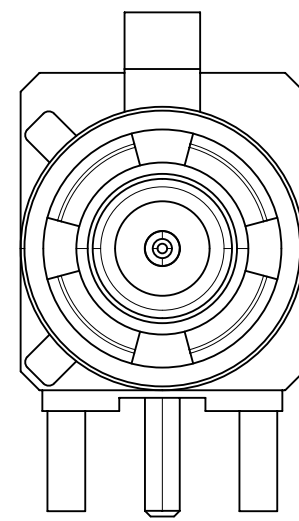
CODE A



CODE B

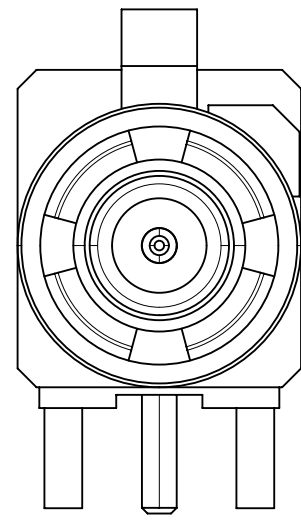


CODE C

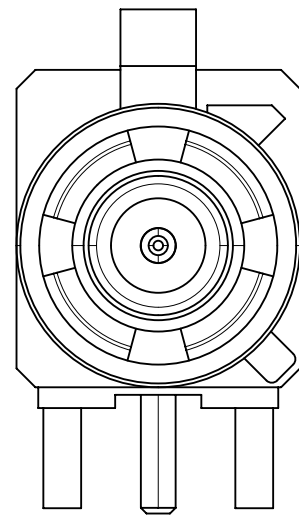


CODE D

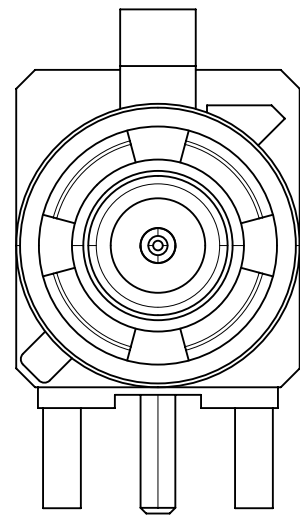
| | | |
|-------------|----------------|------------|
| N | PASTEL GREEN | 73403-5123 |
| M | PASTEL ORANGE | 73403-5122 |
| L | CARMINE RED | 73403-5121 |
| Z | WATER BLUE | 73403-5120 |
| K | CURRY YELLOW | 73403-5119 |
| I | BEIGN | 73403-5118 |
| H | VIOLET | 73403-5117 |
| G | GRAY | 73403-5116 |
| F | BROWN | 73403-5115 |
| E | GREEN | 73403-5114 |
| D | BORDEAUXVIOLET | 73403-5113 |
| C | BLUE | 73403-5112 |
| B | SINGLE WHITE | 73403-5111 |
| A | BLACK | 73403-5110 |
| KEYING CODE | COLOR | PART NO. |



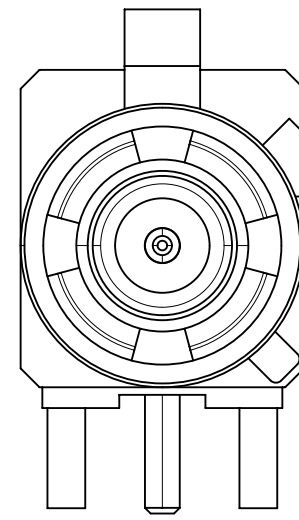
CODE E



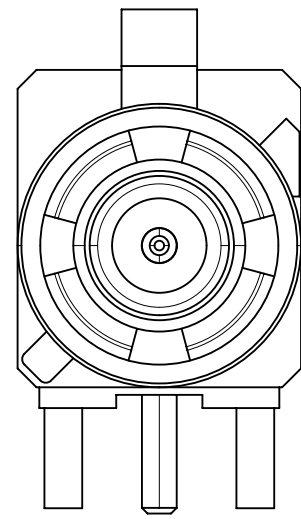
CODE F



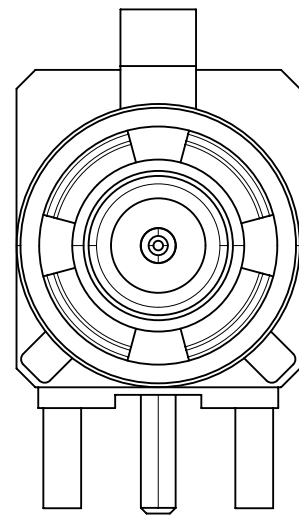
CODE G



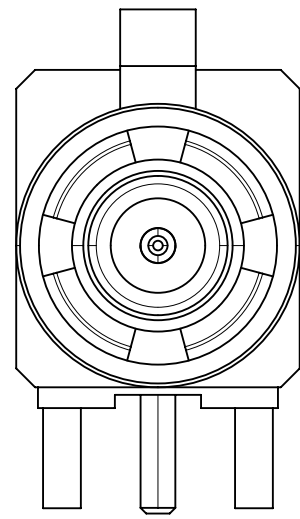
CODE H



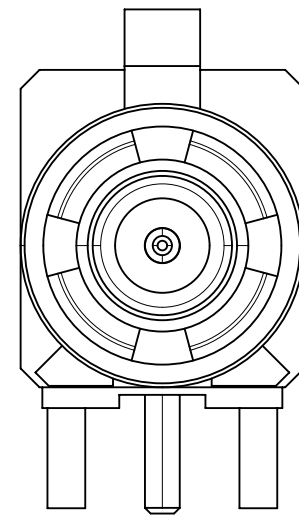
CODE I



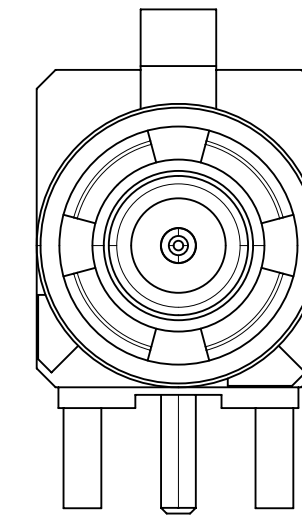
CODE K



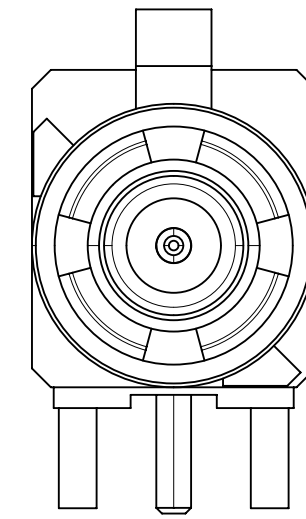
CODE Z



CODE L



CODE M



CODE N

| | | | | | | | | | |
|--|---|--|--|--|--------------------------|--|---|--|--|
| SYMBOLS ▽ = 0 ▽ = 0 ▽ = 0 ▽ = 0 ▽ = 0 ▽ = 0 ▽ = 0 ▽ = 0 ▽ = 0 ▽ = 0 | THIS DRAWING CONTAINS INFORMATION THAT IS PROPRIETARY TO MOLEX ELECTRONIC TECHNOLOGIES, LLC AND SHOULD NOT BE USED WITHOUT WRITTEN PERMISSION | | DIMENSION UNITS: HYBRID SCALE: 5:1 | | CURRENT REV DESC: | | | | |
| | GENERAL TOLERANCES (UNLESS SPECIFIED) | | EC NO: 173804 | | DRWN: ELIN 2018/03/19 | | | | |
| | ANGULAR TOL ± 2.0° | | 4 PLACES ± | | CHK'D: YCHENG 2018/03/23 | | PRODUCT CUSTOMER DRAWING | | |
| | 3 PLACES ± | | 2 PLACES ± | | APPR: YCHENG 2018/03/23 | | DOCUMENT NUMBER: SD-73403-511 | | |
| | 1 PLACE ± | | 0 PLACES ± | | INITIAL REVISION: | | DOC TYPE: PSD DOC PART: 001 REVISION: A7 | | |
| | DRAFT WHERE APPLICABLE MUST REMAIN WITHIN DIMENSIONS | | THIRD ANGLE PROJECTION | | DRWN: SCHOU 2009/01/21 | | MATERIAL NUMBER: | | |
| | DRAFT WHERE APPLICABLE MUST REMAIN WITHIN DIMENSIONS | | DRAFTING | | APPR: MHUANG 2009/01/23 | | CUSTOMER: GENERAL MARKET | | |
| | DRAFT WHERE APPLICABLE MUST REMAIN WITHIN DIMENSIONS | | DRAFTING | | SERIES: 73403 | | SHEET NUMBER: 2 OF 2 | | |
| | DRAFT WHERE APPLICABLE MUST REMAIN WITHIN DIMENSIONS | | DRAFTING | | C-SIZE | | SHEET NUMBER: 2 OF 2 | | |

MATERIALS AND FINISHES

BODY BRASS
PLATED NICKEL

HOUSING BRASS
PLATED TIN

CENTER CONTACT PHOSPHOR BRONZE/BRASS
PLATED GOLD

OUTER CASING HIGH TEMPERATURE PLASTIC
KEYING SEE TABLE
COLOR SEE TABLE

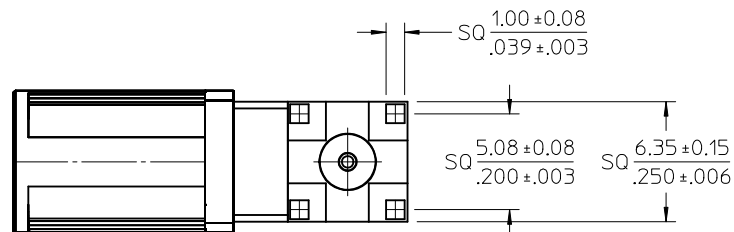
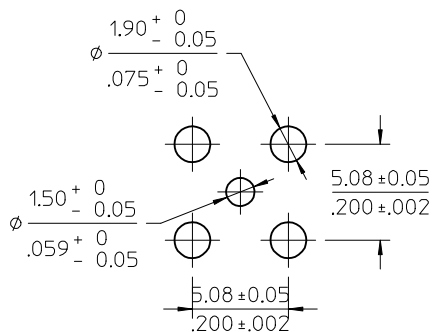
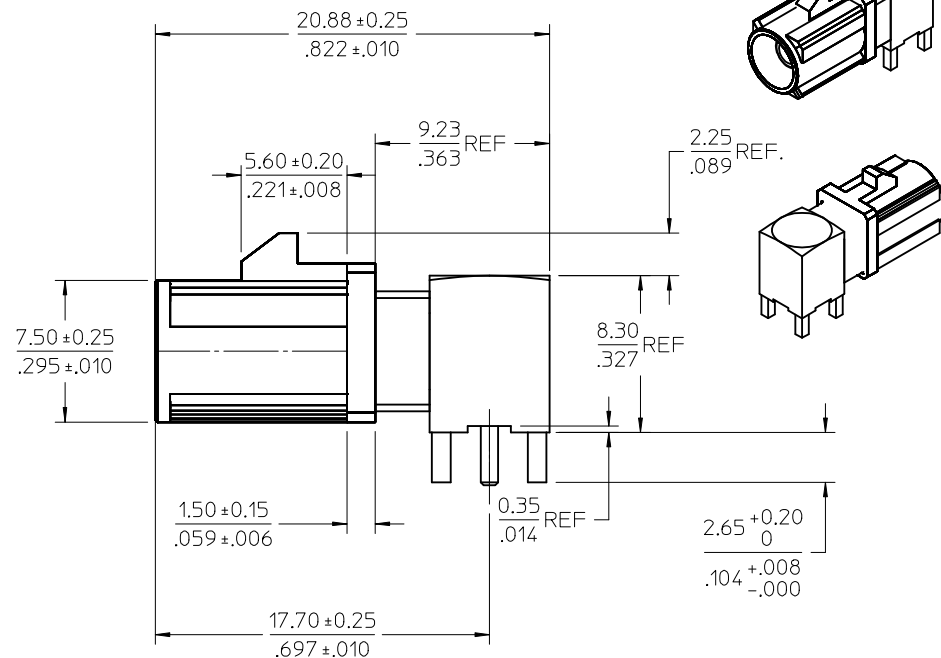
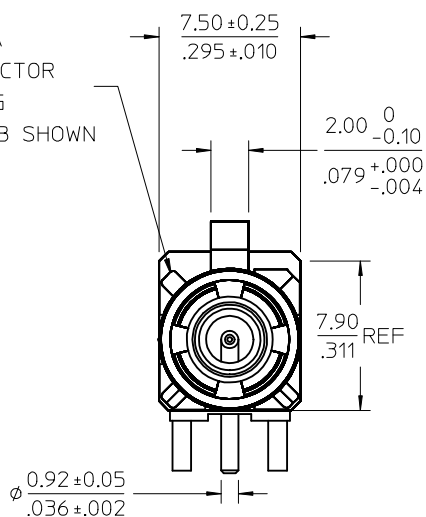
INSULATOR TEFLON

PACKAGING BY TAPE AND REEL

RETENTION SPECIFICATION

THE FAKRA CONNECTOR SHROUD WILL WITHSTAND
A LONGITUDINAL FORCE OF 110 N (24.75 LBS)

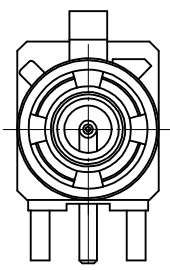
FAKRA
CONNECTOR
KEYING
CODE B SHOWN



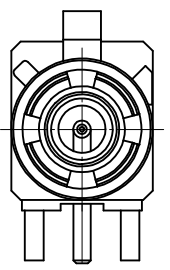
| | |
|--------------------------|-------------------------|
| PS-89675-3310 | PRODUCT SPECIFICATION |
| MIL-STD-348A, FIG. 311.1 | INTERFACE SPECIFICATION |
| SPECIFICATION | DESCRIPTION |

| | | | | | | |
|---|----------------------|---|-----------------|-----------------|---------------------|------------------------|
| RTM PDR15092069 PDR13091433 EC NO: URF2016-0255 DRWNLIN 2013/09/24 CHKD: APPR: YCHENG 2015/10/13 DESCRIPTION REV: A | QUALITY SYMBOLS | GENERAL TOLERANCES (UNLESS SPECIFIED) | DIMENSION STYLE | SCALE | DESIGN UNITS | THIRD ANGLE PROJECTION |
| | ▽=0 | mm INCH | MM/IN | 1:1 | METRIC | |
| | ▽=0 | 4 PLACES ± --- ± --- | DRAWN BY DATE | TITLE | SMB JACK, FAKRA,R/A | |
| | ▽=0 | 3 PLACES ± --- ± --- | CHECKED BY DATE | PCB 50 OHMS T&R | | SHEET NO. |
| | 2 PLACES ± --- ± --- | APPROVED BY DATE | SMB-J/PCB/RA | | 1 OF 5 | |
| | 1 PLACE ± --- ± --- | MATERIAL NO. | SD-73403-650 | | | |
| | 0 PLACE ± --- ± --- | DOCUMENT NO. | | | | |
| | ANGULAR ± 2 ° | THIS DRAWING CONTAINS INFORMATION THAT IS PROPRIETARY TO MOLEX INCORPORATED AND SHOULD NOT BE USED WITHOUT WRITTEN PERMISSION | | | | |

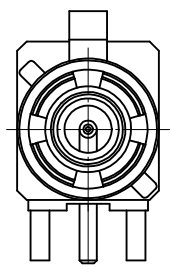
13 12 11 10 9 8 7 6 5 4 3 2 1



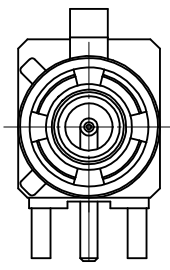
CODE-A



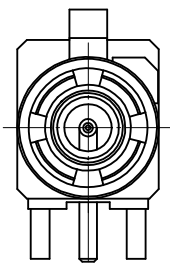
CODE-B



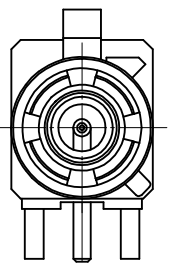
CODE-C



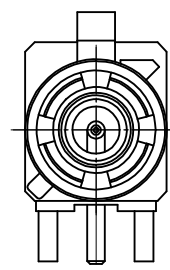
CODE-D



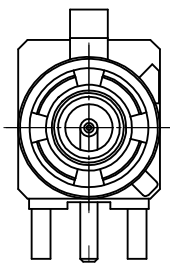
CODE-E



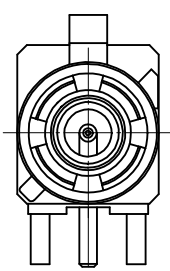
CODE-F



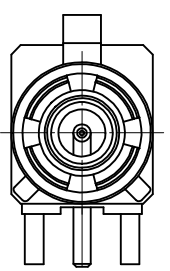
CODE-G



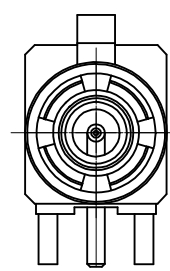
CODE-H



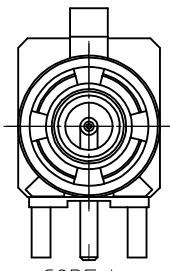
CODE-I



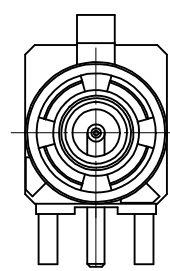
CODE-K



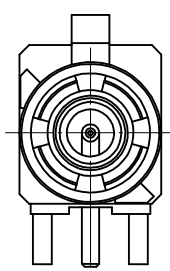
CODE-Z



CODE-L



CODE-M



CODE-N

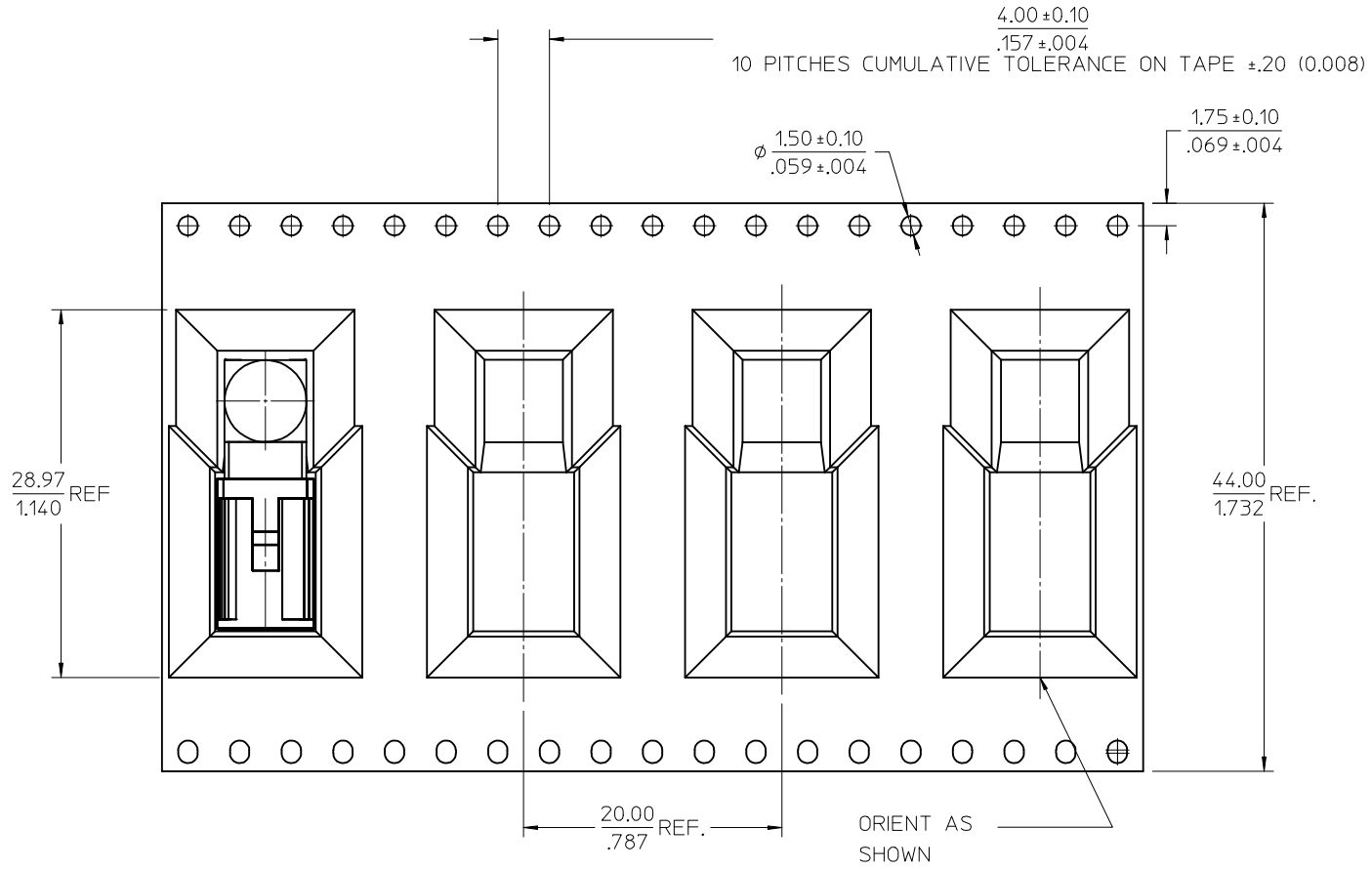
| | | |
|-------------|----------------|------------|
| N | PASTEL GREEN | 73403-6513 |
| M | PASTEL ORANGE | 73403-6512 |
| L | CARMINE RED | 73403-6511 |
| Z | WATER BLUE | 73403-6510 |
| K | CURRY YELLOW | 73403-6509 |
| I | BEIGE | 73403-6508 |
| H | VIOLET | 73403-6507 |
| G | GRAY | 73403-6506 |
| F | BROWN | 73403-6505 |
| E | GREEN | 73403-6504 |
| D | BORDEAUXVIOLET | 73403-6503 |
| C | BLUE | 73403-6502 |
| B | NATURAL | 73403-6501 |
| A | BLACK | 73403-6500 |
| KEYING CODE | COLOR | PART NO. |

| SEE SHEET 1 EC NO: URF2016-0255 DRWNLIN 2013/09/24 CHKD: APPR: YCHENG 2015/10/13 | QUALITY SYMBOLS = 0 = 0 = 0 | GENERAL TOLERANCES (UNLESS SPECIFIED) <table border="1"> <tr><th></th><th>mm</th><th>INCH</th></tr> <tr><td>4 PLACES</td><td>± .005</td><td>± .0004</td></tr> <tr><td>3 PLACES</td><td>± .005</td><td>± .0004</td></tr> <tr><td>2 PLACES</td><td>± .005</td><td>± .0004</td></tr> <tr><td>1 PLACE</td><td>± .005</td><td>± .0004</td></tr> <tr><td>0 PLACE</td><td>± .005</td><td>± .0004</td></tr> </table> | | mm | INCH | 4 PLACES | ± .005 | ± .0004 | 3 PLACES | ± .005 | ± .0004 | 2 PLACES | ± .005 | ± .0004 | 1 PLACE | ± .005 | ± .0004 | 0 PLACE | ± .005 | ± .0004 | DIMENSION STYLE MM/IN DRAWN BY DATE EL IN 2013/09/24 CHECKED BY DATE JOANNE 2013/09/24 APPROVED BY DATE YCHENG 2015/10/13 | SCALE 1:1 DESIGN UNITS METRIC THIRD ANGLE PROJECTION | TITLE SMB JACK, FAKRA,R/A PCB 50 OHMS T&R SMB-J/PCB/RA molex | MATERIAL NO. SEE TABLE DOCUMENT NO. SD-73403-650 | SHEET NO. 2 OF 5 |
|--|--------------------------------------|---|---------|---|------|----------|--------|---------|----------|--------|---------|----------|--------|---------|---------|--------|---------|---------|--------|---------|---|--|--|---|----------------------------|
| | | mm | INCH | | | | | | | | | | | | | | | | | | | | | | |
| | 4 PLACES | ± .005 | ± .0004 | | | | | | | | | | | | | | | | | | | | | | |
| | 3 PLACES | ± .005 | ± .0004 | | | | | | | | | | | | | | | | | | | | | | |
| 2 PLACES | ± .005 | ± .0004 | | | | | | | | | | | | | | | | | | | | | | | |
| 1 PLACE | ± .005 | ± .0004 | | | | | | | | | | | | | | | | | | | | | | | |
| 0 PLACE | ± .005 | ± .0004 | | | | | | | | | | | | | | | | | | | | | | | |
| ANGULAR ± 2° DRAFT WHERE APPLICABLE MUST REMAIN WITHIN DIMENSIONS | | SIZE C | | THIS DRAWING CONTAINS INFORMATION THAT IS PROPRIETARY TO MOLEX INCORPORATED AND SHOULD NOT BE USED WITHOUT WRITTEN PERMISSION | | | | | | | | | | | | | | | | | | | | | |

12 11 10 9 8 7 6 5 4 3 2 1

13 12 11 10 9 8 7 6 5 4 3 2 1

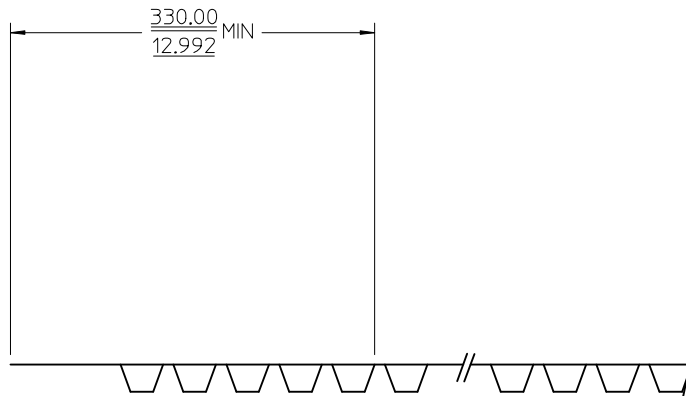
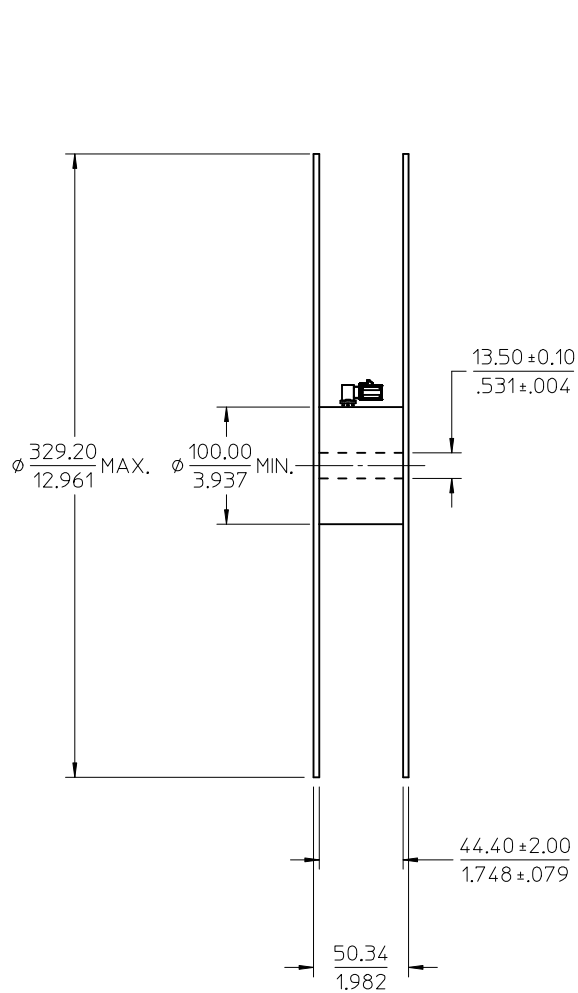
J
I
H
G
F
E
D
C
B
A



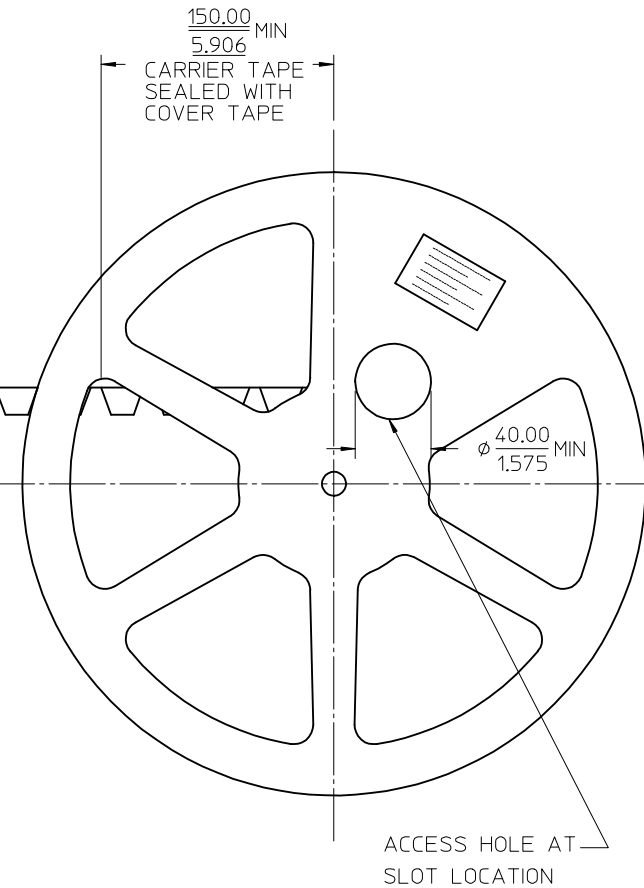
NOTES:
1. 250 CONNECTORS PER REEL ON 330.2 mm (13.0 IN) REEL

| | | | | | | |
|--|-------------------|---|-----------------|---|---------------------|--|
| SEE SHEET 1 EC NO: URF2016-0255 DRWN:EL IN 2013/09/24 CHKD: APPR:YCHENG 2015/10/13 | QUALITY SYMBOLS | GENERAL TOLERANCES (UNLESS SPECIFIED) | DIMENSION STYLE | SCALE | DESIGN UNITS | THIRD ANGLE PROJECTION |
| | ∇=0 ∇=0 ∇=0 | mm INCH 4 PLACES ± --- ± --- 3 PLACES ± --- ± --- 2 PLACES ± --- ± --- 1 PLACE ± --- ± --- 0 PLACE ± --- ± --- | MM/IN | 1:1 | METRIC | DRAWN BY DATE EL IN 2013/09/24 CHECKED BY DATE JOANNE 2013/09/24 APPROVED BY DATE YCHENG 2015/10/13 |
| A | DESCRIPTION | ANGULAR ± 2 ° | MATERIAL NO. | DOCUMENT NO. | SHEET NO. 3 OF 5 | |
| | | DRAFT WHERE APPLICABLE MUST REMAIN WITHIN DIMENSIONS | SEE SHEET 2 | THIS DRAWING CONTAINS INFORMATION THAT IS PROPRIETARY TO MOLEX INCORPORATED AND SHOULD NOT BE USED WITHOUT WRITTEN PERMISSION | | |

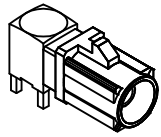
1b_frame_C_P_AM_T Rev. G 2012/01/11 12 11 10 9 8 7 6 5 4 3 2 1



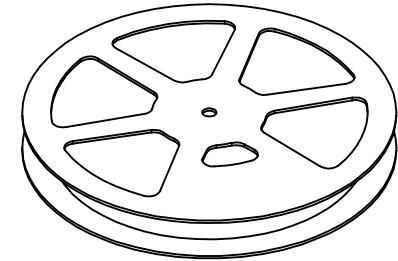
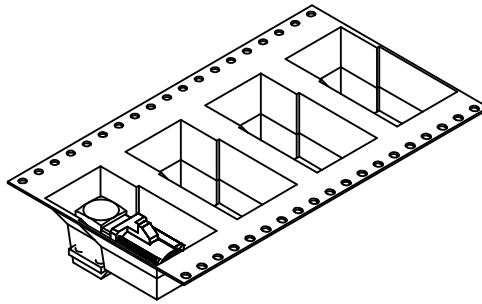
250mm MIN OF CARRIER AND /OR COVER TAPE.
PLUS 80mm MINIMUM OF CARRIER TAPE SEALED
WITH COVER TAPE



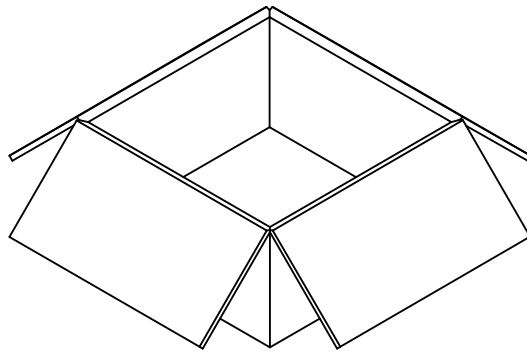
| | | | | | | | |
|---|-----------------|--|----------------------|-------------------|---|--------------|------------------------|
| SEE SHEET 1 EC NO: URF2016-0255 DRW:ELIN 2013/09/24 CHKD: APPR:YCHENG 2015/10/13 | QUALITY SYMBOLS | GENERAL TOLERANCES (UNLESS SPECIFIED) | | DIMENSION STYLE | SCALE | DESIGN UNITS | THIRD ANGLE PROJECTION |
| | ▽=0 | mm | INCH | MM/IN | 1:2 | METRIC | |
| | ▽=0 | 4 PLACES ± --- ± --- | 3 PLACES ± --- ± --- | DRAWN BY DATE | TITLE | | |
| | ▽=0 | 2 PLACES ± --- ± --- | 1 PLACE ± --- ± --- | EL IN 2013/09/24 | SMB JACK, FAKRA,R/A PCB 50 OHMS T&R SMB-J/PCB/RA | | |
| REV: A | DESCRIPTION | ANGULAR ± 2 ° | | CHECKED BY DATE | DOCUMENT NO. | | |
| | | DRAFT WHERE APPLICABLE MUST REMAIN WITHIN DIMENSIONS | | JOANNE 2013/09/24 | SD-73403-650 | | |
| | | | | APPROVED BY DATE | SHEET NO. | | |
| | | | | YCHENG 2015/10/13 | 4 OF 5 | | |
| | | | | MATERIAL NO. | THIS DRAWING CONTAINS INFORMATION THAT IS PROPRIETARY TO MOLEX INCORPORATED AND SHOULD NOT BE USED WITHOUT WRITTEN PERMISSION | | |
| | | | | SEE SHEET 2 | | | |



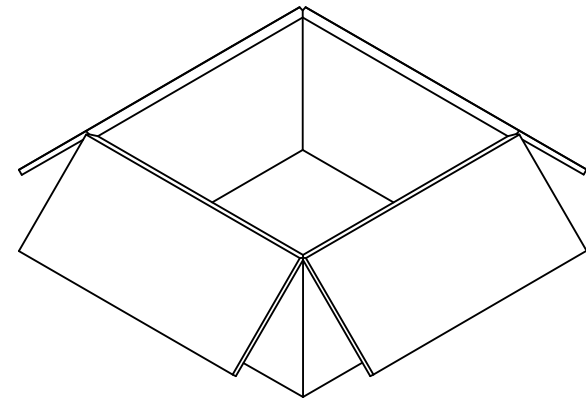
73403-650*



250 SET PER 13" REEL



1000 SET PER INNER
CARTON BOX
343 X 343 X 188 REF.



1000 SET PER OUTER
CARTON BOX
394 X 391 X 212 REF.

| | | | | | | | | | |
|---|-----------------------|-----------------|--|------------|-----------------|-------|---|------------------------|--|
| SEE SHEET 1 EC NO: URF-2016-0255 DRW: ELIN 2013/09/24 CHKD: DRW: ELIN APPR: YCHENG 2015/10/13 | DESCRIPTION REV: A | QUALITY SYMBOLS | GENERAL TOLERANCES (UNLESS SPECIFIED) | | DIMENSION STYLE | SCALE | DESIGN UNITS | THIRD ANGLE PROJECTION | |
| | | ▽=0 | mm | INCH | MM/IN | 1:1 | METRIC | | |
| | | ▽=0 | 4 PLACES ± --- | ± --- | DRAWN BY | DATE | TITLE SMB JACK, FAKRA,R/A PCB 50 OHMS T&R SMB-J/PCB/RA molex DOCUMENT NO. SD-73403-650 SHEET NO. 5 OF 5 | | |
| | | ▽=0 | 3 PLACES ± --- | ± --- | CHECKED BY | DATE | | | |
| ▽=0 | 2 PLACES ± --- | ± --- | JOANNE | 2013/09/24 | | | | | |
| ▽=0 | 1 PLACE ± --- | ± --- | APPROVED BY | DATE | | | | | |
| | | 0 PLACE ± --- | ± --- | YCHENG | 2015/10/13 | | | | |
| | | | ANGULAR ± 2 ° | | MATERIAL NO. | | SEE SHEET 2 | | |
| | | | DRAFT WHERE APPLICABLE MUST REMAIN WITHIN DIMENSIONS | | SIZE C | | THIS DRAWING CONTAINS INFORMATION THAT IS PROPRIETARY TO MOLEX INCORPORATED AND SHOULD NOT BE USED WITHOUT WRITTEN PERMISSION | | |