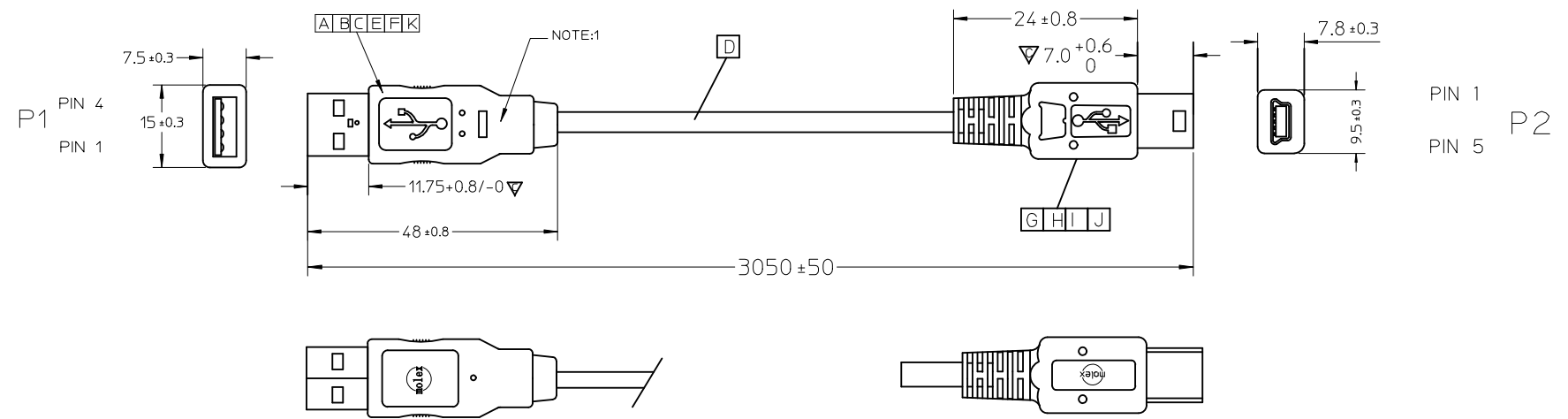


REVISIONS				CHANGER
ECN NO	DATE	REV	DESCRIPTION	SANLY
CY12-7061	2011/07/20	C	UPDATE NOTE 3	



- NOTE:
1. OUTER MOLDED WITH BLK PVC RESIN
 2. ALL COMPONENT MUST MEET RoHS REQUIREMENT.
 3. ELECTRICAL PERFORMANCE REFER TO USB 2.0 SPECIFICATION.

ITEM	DESCRIPTION	L	QTY.
L	COPPER FOIL		1
K	COPPER FOIL		1
J	USB SERIES MINI-B PLUG COVER SHIELD		1
H	USB SERIES MINI-B PLUG SHIELD CASE		1
G	MINI-B PLUG		1
F	TERMINAL (AWG24)		2
E	TERMINAL (AWG28)		2
D	USB #28/#24 BLK CABLE	3050ref	
C	REAR SHELL		1
B	FRONT SHELL		1
A	CRIMP HOUSING		1

SHELL	SHELL	SHIELDING	BRAID WIRE
4	5	GROUND	BLACK
3	3	+DATA	GREEN
2	2	-DATA	WHITE
1	1	VCC	RED
P 1	P 2	SIGNAL NAME	WIRE COLOR

CONNECTION DIAGRAM		ITEM	DESCRIPTION	L	QTY.

ENTER DESCRIPTION EC NO: DG2012-0243 DRW: FZHANG01 2011/09/03 CHKD: SHUANG04 2011/09/03 APPR: ZXDENG 2011/09/09	QUALITY SYMBOLS ▽=0 ◻=0	GENERAL TOLERANCES (UNLESS SPECIFIED) mm INCH 4 PLACES ± --- ± --- 3 PLACES ± --- ± --- 2 PLACES ± --- ± --- 1 PLACE ± --- ± --- ANGULAR ± ---°	DIMENSION STYLE MM ONLY DRAWN BY PHZHU DATE 2005/10/13 CHECKED BY ZXDENG DATE 2005/10/13 APPROVED BY DQLUO DATE 2005/10/13 MATERIAL NO. 688060029	SCALE -- DESIGN UNITS METRIC THIRD ANGLE PROJECTION	TITLE USB 2.0 TYPE A TO MINI-B BLACK 10' CABLE ASS'Y
	DRAFT WHERE APPLICABLE MUST REMAIN WITHIN DIMENSIONS	MOLEX INCORPORATED DOCUMENT NO. SD-68806-029		SHEET NO. 1 OF 1	
		THIS DRAWING CONTAINS INFORMATION THAT IS PROPRIETARY TO MOLEX INCORPORATED AND SHOULD NOT BE USED WITHOUT WRITTEN PERMISSION			