

PLEASE CHECK WWW.MOLEX.COM FOR LATEST PART INFORMATION

Part Number: [0534260210](#)
Status: **Active**
Overview: Mini-Lock™ Wire-to-Board Connector System
Description: 2.50mm Pitch Mini-Lock™ Wire-to-Board Header, Right Angle, Friction and Positive Lock, 2 Circuits

Documents:

3D Model	Product Specification PS-51163-002-001 (PDF)
Drawing (PDF)	Packaging Specification SPK-53426-002-001 (PDF)
Product Specification PS-51102-002-001 (PDF)	RoHS Certificate of Compliance (PDF)
Product Specification PS-51103-005-001 (PDF)	

Agency Certification

CSA	LR19980
UL	E29179

General

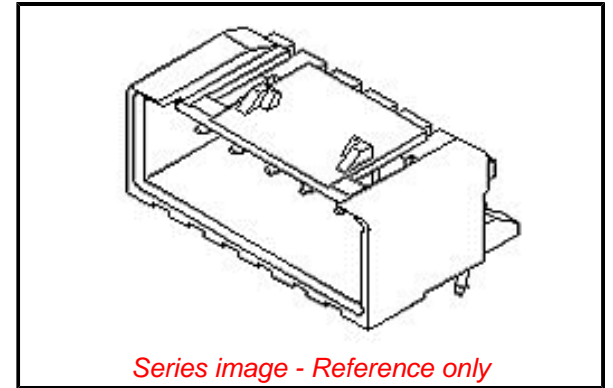
Product Family	PCB Headers
Series	53426
Application	Signal, Wire-to-Board
MolexKits	Yes
Overview	Mini-Lock™ Wire-to-Board Connector System
Product Name	Mini-Lock™
UPC	800754368704

Physical

Breakaway	No
Circuits (Loaded)	2
Circuits (maximum)	2
Color - Resin	White
Durability (mating cycles max)	30
Flammability	94V-0
Glow-Wire Compliant	No
Keying to Mating Part	Yes
Lock to Mating Part	Yes
Material - Metal	Phosphor Bronze
Material - Plating Mating	Tin
Material - Plating Termination	Tin
Net Weight	399.800/mg
Number of Rows	1
Orientation	Right Angle
PC Tail Length	3.40mm
PCB Locator	No
PCB Retention	Yes
PCB Thickness - Recommended	1.60mm
Packaging Type	Tray
Pitch - Mating Interface	2.50mm
Polarized to PCB	No
Shrouded	Fully
Stackable	No
Surface Mount Compatible (SMC)	No
Temperature Range - Operating	-40°C to +105°C
Termination Interface: Style	Through Hole

Electrical

Current - Maximum per Contact	3.0A
Voltage - Maximum	250V



EU ELV

Not Relevant

EU RoHS

Compliant

REACH SVHC

Not Contained Per
-ED/01/2017 (12
January 2017)

Halogen-Free

Status

Not Low-Halogen

Need more information on product environmental compliance?

Email productcompliance@molex.com
Please visit the [Contact Us](#) section for any non-product compliance questions.

China ROHS	Green Image
ELV	Not Relevant
RoHS Phthalates	Not Contained

Search Parts in this Series

[53426 Series](#)

Mates With

[51102](#) Housing with Friction Lock, [51103](#) Housing with Positive Lock, [51163](#) , [51164](#) Housing with Positive Lock and Retainer, [50351](#) Crimp Terminal, [50752](#) Crimp Terminal

Material Info

Reference - Drawing Numbers

Packaging Specification

Product Specification

Sales Drawing

SPK-53426-002-001

PS-51102-002-001, PS-51103-005-001,

PS-51163-002-001

SD-53426-001

This document was generated on 07/25/2017

PLEASE CHECK WWW.MOLEX.COM FOR LATEST PART INFORMATION