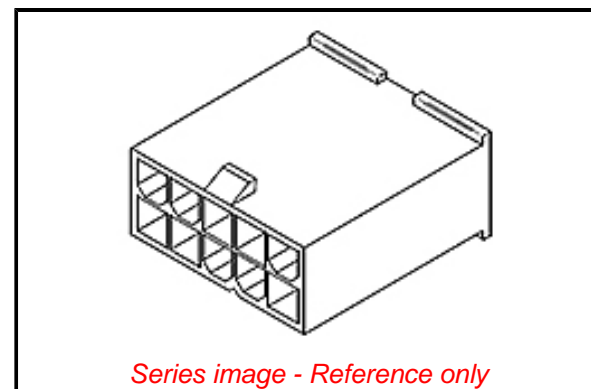


PLEASE CHECK WWW.MOLEX.COM FOR LATEST PART INFORMATION

Part Number: [0039013089](#)
Status: **Active**
Overview: Mini-Fit Jr. Power Connectors
Description: Mini-Fit Jr.™ Plug Housing, Dual Row, 8 Circuits, UL 94V-0, without Panel Mounting Ears, Natural

Documents:

3D Model	Product Specification TS-5556-002-001 (PDF)
Drawing (PDF)	Application Specification AS-5557-001-001 (PDF)
Product Specification PS-45750-001-001 (PDF)	Packaging Specification PK-5559-002-001 (PDF)
Product Specification PS-5556-001 (PDF)	RoHS Certificate of Compliance (PDF)



Agency Certification

CSA	LR19980
UL	E29179

General

Product Family	Crimp Housings
Series	5559
Application	Power, Wire-to-Board, Wire-to-Wire
Comments	Current = 13A max. per circuit when header is mated to a receptacle loaded with 45750 series terminals crimped to 16 AWG wire. . See Molex product specification PS-45750-001 for additional current derating information.
Overview	Mini-Fit Jr. Power Connectors
Product Name	Mini-Fit Jr.™
UPC	800754203951

Physical

Breakaway	No
Circuits (maximum)	8
Color - Resin	Natural
Flammability	94V-0
Gender	Plug
Glow-Wire Compliant	No
Keying to Mating Part	None
Lock to Mating Part	Yes
Material - Resin	Nylon
Net Weight	2.375/g
Number of Rows	2
Packaging Type	Bag
Panel Mount	No
Pitch - Mating Interface	4.20mm
Pitch - Termination Interface	4.20mm
Polarized to Mating Part	Yes
Stackable	No
Temperature Range - Operating	-40°C to +105°C

Electrical

Current - Maximum per Contact	13.0A
-------------------------------	-------

Solder Process Data

Lead-free Process Capability	N/A
------------------------------	-----

Material Info

Engineering Number	5559-08P1-210
--------------------	---------------

EU ELV

Not Relevant

EU RoHS

Compliant

REACH SVHC

Not Contained Per - ED/30/2017 (7 July 2017)

Halogen-Free

Status

Low-Halogen

Need more information on product environmental compliance?

Email productcompliance@molex.com
Please visit the [Contact Us](#) section for any non-product compliance questions.

China ROHS	Green Image
ELV	Not Relevant
RoHS Phthalates	Not Contained

Search Parts in this Series

[5559 Series](#)

Mates With

Receptacle Housing [39-01-2085](#)
Mini-Fit Jr.™ TPA Cable Assembly [45135](#)

Mini-Fit Jr.™ Cable Assembly [245135](#)

Use With

[5558](#) Mini-Fit Jr.™ Male Crimp Terminals.
[30490](#) Mini-Fit® Male Grounding Crimp Terminals

Reference - Drawing Numbers

Application Specification

AS-5557-001-001

Packaging Specification

PK-5559-002-001

Product Specification

PS-45750-001-001, PS-5556-001, TS-5556-002-001

Sales Drawing

SD-5559-NP1*

This document was generated on 07/31/2017

PLEASE CHECK WWW.MOLEX.COM FOR LATEST PART INFORMATION